



KIT COMPONENTS

Not Shown: Radio Interface, LD-GM30-PIO, LD-GM31-PIO, AXEXH-GM30, AXEXH-GM31, AD-EU5, 40-GPS-PIO, PR04AVIC-PIO / PR04-PIORCA, LD-AX-SPK

www.MetraOnline.com



MetraOnline.com may be used to assist with dash assembly instructions. Simply enter your Year, Make, Model vehicle into the vehicle fit guide and look for the Dash Kit Installation Instructions.

GM Pioneer Basic Package 2019-2023

Visit AxxessInterfaces.com for more detailed information about the product and up-to-date vehicle specific applications.

KIT FEATURES

- Designed for select Pioneer receivers
- Designed for non-amplified vehicles only to retain Bose amplifier purchase AXM50-GM1
- Allows for the retention and adjustment of the factory personalization menu through the Pioneer radio
- Provides a visual view of HVAC and gauges on the Pioneer screen (cannot be adjusted via the screen)
- Complete Plug-n-Play installation
- Includes dash kit with Axxess interface and vehicle-specific T-harness
- Includes radio antenna adaptor for GPS
- Provides accessory power (12-volt 10-amp)
- Provides NAV outputs (parking brake, reverse, speed sense)
- Retains audio controls on the steering wheel
- Works in both single and dual-zone vehicles
- Retains safety chimes through an included off-board speaker
- USB Micro B updatable

TABLE OF CONTENTS

Connections.....	2-3
Radio Operations	4-5
Applicable Radio Models.....	6

WIRING & ANTENNA CONNECTIONS (sold separately)

- RGB Extension Cable: Pioneer part # CD-RGB150E (not sold by Metra)

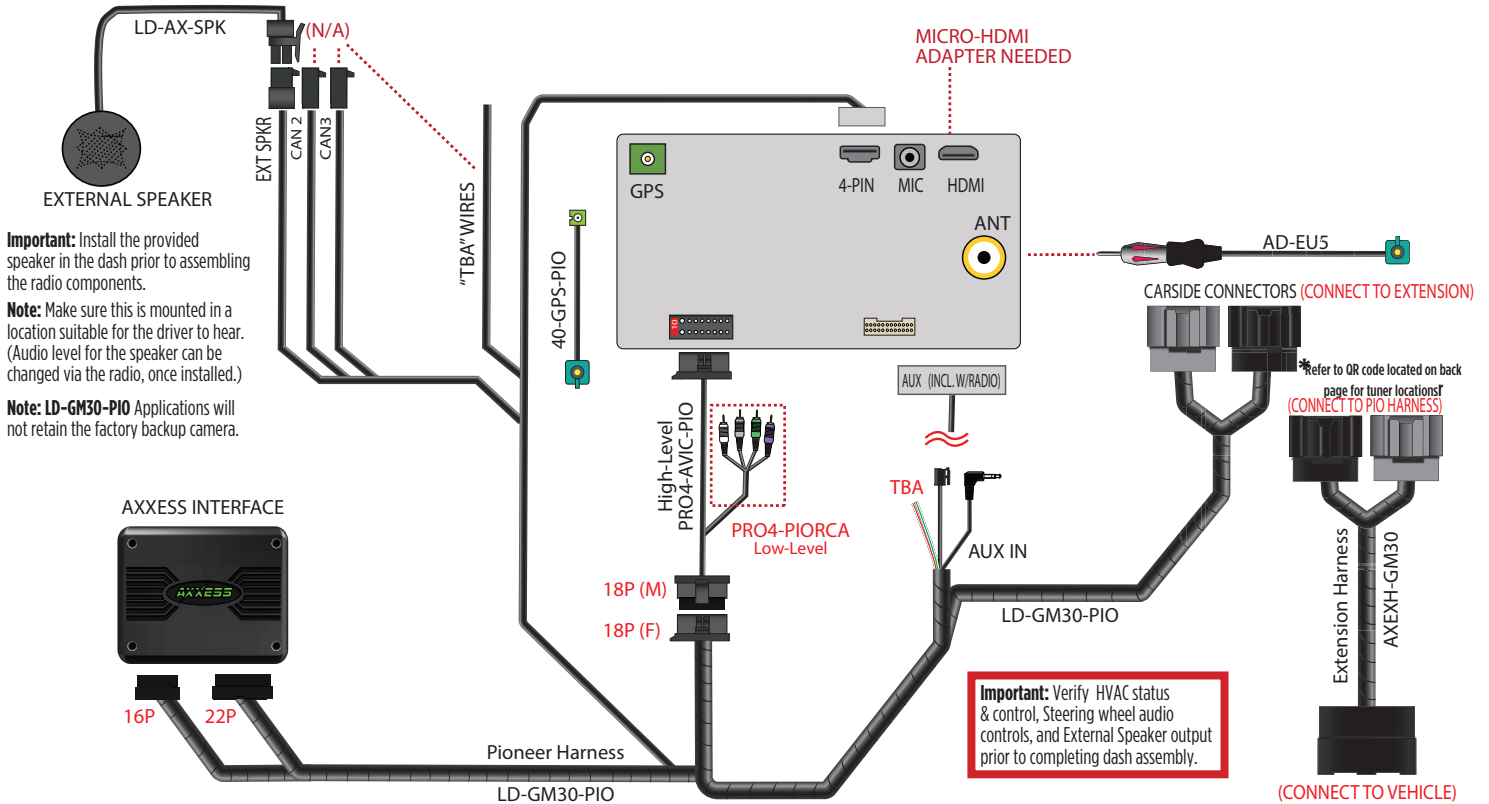
TOOLS REQUIRED

- Crimping tool and connectors, or solder gun, solder, and heat shrink
- Tape
- Wire cutter
- Zip ties
- Multimeter

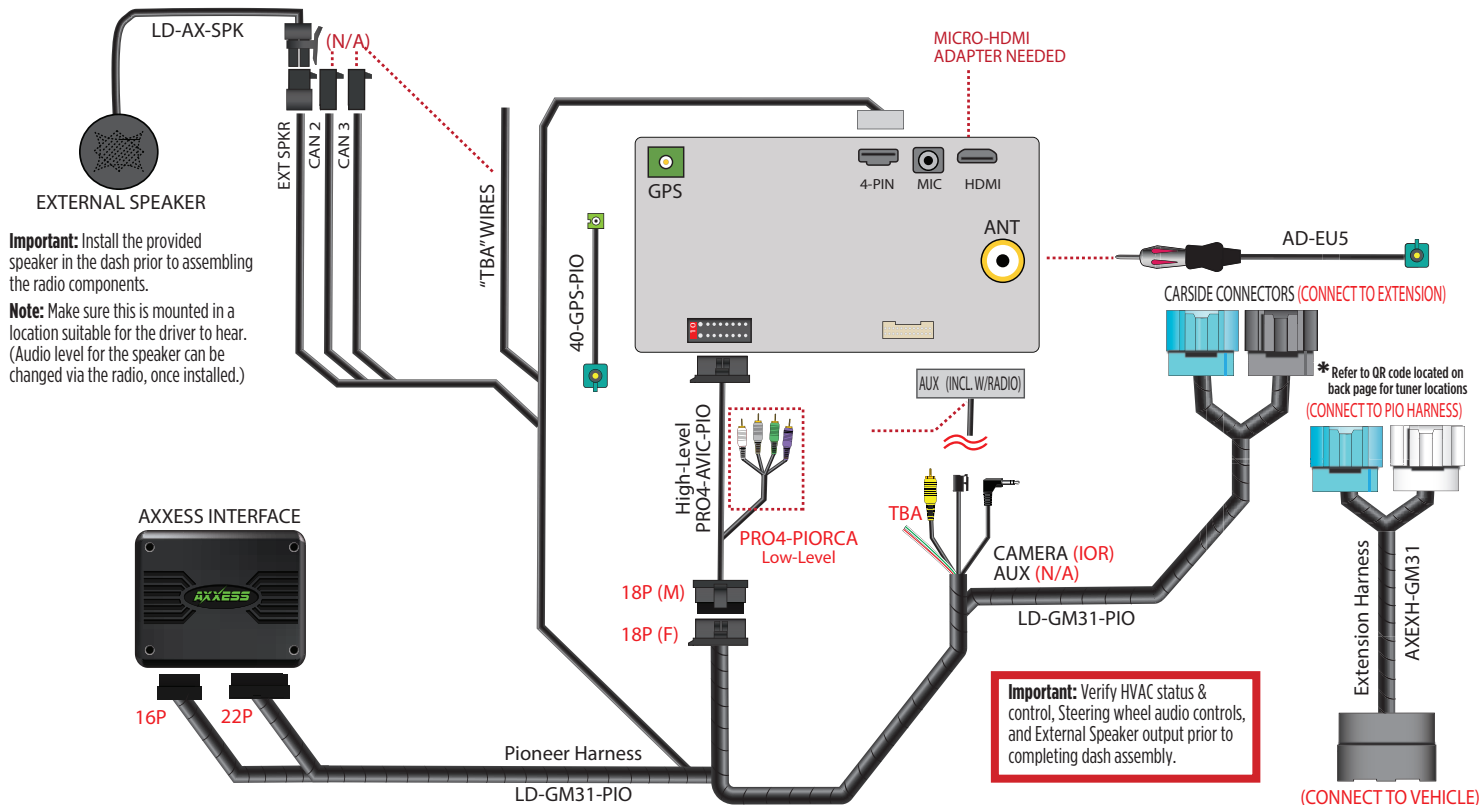
ATTENTION: With the key out of the ignition, disconnect the negative battery terminal before installing this product. Ensure that all installation connections are secure before cycling the ignition to test this product.

NOTE: Refer to the instructions included with the aftermarket radio.

CONNECTIONS



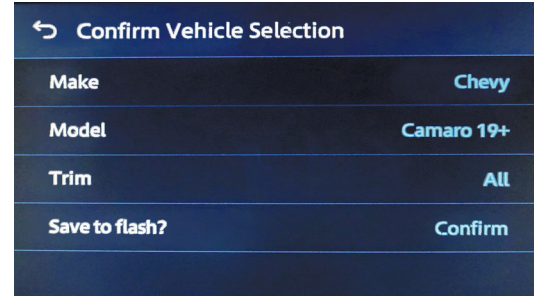
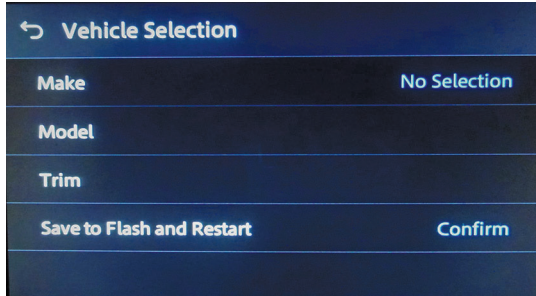
CONNECTIONS (CONT.)



RADIO OPERATIONS

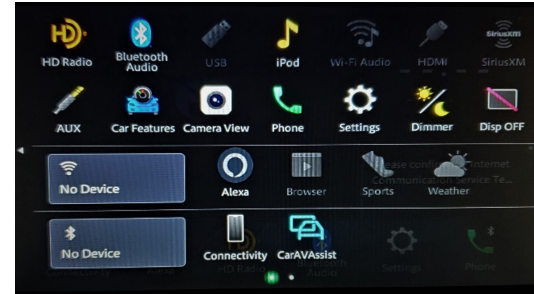
Vehicle Selection

- Allows the selection of the vehicle the Pioneer radio is being installed in.
- Select Make, Model and Trim to activate the extended functions of the radio.
- Press Confirm to lock in the selection.
- The vehicle type must be selected to activate HVAC functions and steering wheel controls.



Car Features

The source for accessing all vehicle information and options.

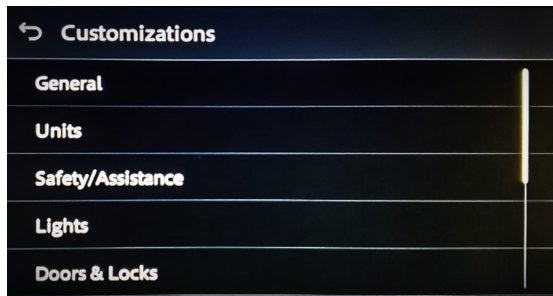


RADIO OPERATIONS (CONT.)

Customizations Menu : Allows full control of vehicle personalization options.

Access this menu by selecting the gear icon on the previous screenshot:

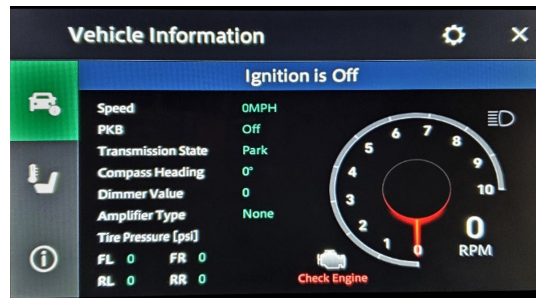
- Provides SWC Configuration.
- Dual Assignment: Assign (2) functions to a single SWC button.
- Remap: Reassign a button on the steering wheel controls.



HVAC Operation: HVAC Status and Control Screen

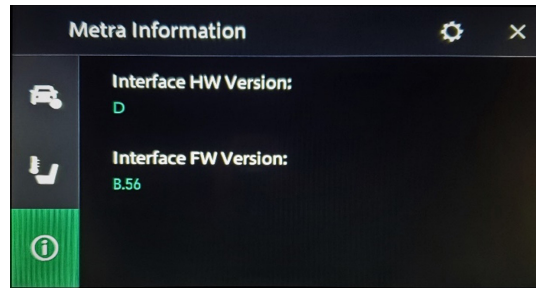


Vehicle Information Screen : The source for accessing all vehicle information and options.



About Screen : Feedback screen for interface software information.

- Helpful information for troubleshooting.



APPLICABLE PIONEER RADIO MODELS

- **DMH-W4660NEX** (6.8" shallow mount for Best Buy)
 - **DMH-W4600NEX** (6.8" shallow mount)
 - **DMH-WC6600NEX** (9" 2 piece radio)
 - **DMH-WT7600NEX** (9" floating radio)
 - **DMH-WT86NEX** (10.1" floating radio)
- **DMH-WT76NEX** (9" floating radio without remote control)
 - **DMH-WT5700NEX** (6.8" 2 piece radio)
 - **DMH-WT8600NEX** (10.1" 2 without the remote)
 - **DMH-WT3800NES** (New 9")

Tuner Location





AXPIO-GM3

INSTALLATION INSTRUCTIONS



Having difficulties? We're here to help.



Contact our Tech Support line at:
386-257-1187



Or via email at:
techsupport@metra-autosound.com

Tech Support Hours (Eastern Standard Time)

Monday - Friday: 9:00 AM - 7:00 PM

Saturday: 10:00 AM - 5:00 PM

Sunday: 10:00 AM - 4:00 PM



**Metra recommends MECP
certified technicians**