



Canopy kit for Golf carts 4 Strip HCU lighting system

Visit metrapowersports.com to view the available installation parts and Golf cart, ATV/UTV accessories.

KIT INFORMATION

- Two control options
- Cable ties
- Adhesive promoter
- Controller mounting pad
- LED encapsulated strips
- Turning and Brake triggers
- IP65 Rated LED strips



Controller APP
SCAN TO DOWNLOAD
Heise connect

WHAT'S IN THE BOX

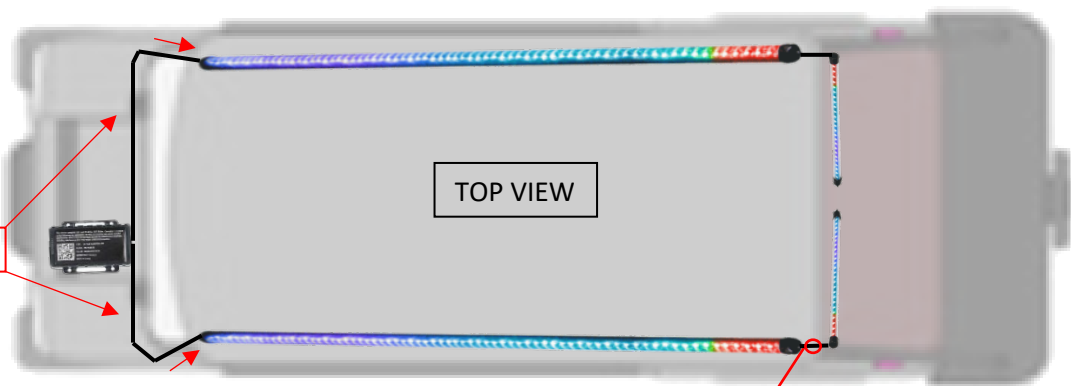
[A] Heise connect controller and remote [B] (2)3f, (2)8IN LED strips [C] (2)10FT EXT. Cables [D] Double sided tape [E] Mounting hardware



Having difficulties?

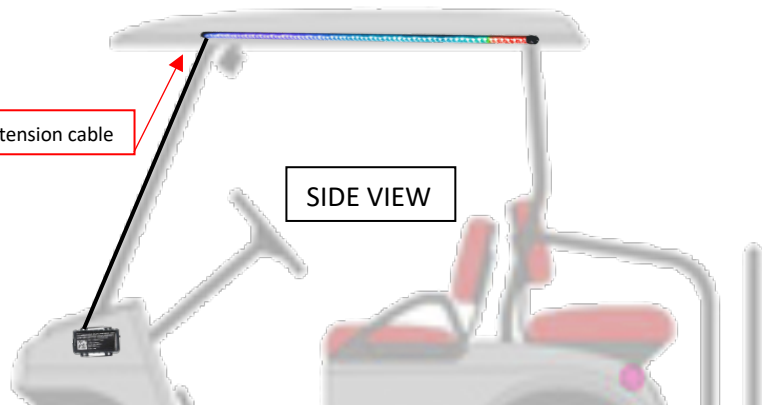
Contact our tech support line at:
Techsupport@metra-autosound.com

Or via phone at:
368.257.1187



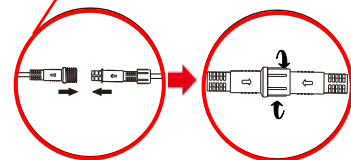
TOP VIEW

10FT Extension cable



SIDE VIEW

10FT Extension cable



Images not to scale

**[Fig.1]**

Mounting the HE-CHASE-CB, Heise Connect controller

1. Access the space behind the dashboard, using a service manual for that cart for disassembly instructions.
2. Locate a flat spot inside dashboard, wash area with rubbing alcohol. Apply adhesive promoter to the desired area, allowing time to dry.
3. Attach the double-sided pad to the controller, and then to the desired area.

[Fig.1]

Routing Left (driver) and Right (passenger) extension cables

Most Golf carts have square tubes where the wire can be routed, using a fishing tape. It may be necessary to drill a 3/8th hole for the extension cable to pass through the windshield supports. If the supports aren't hollow or you don't wish to drill out a passthrough. You can use the supplied cable ties to secure the extensions to the windshield supports.

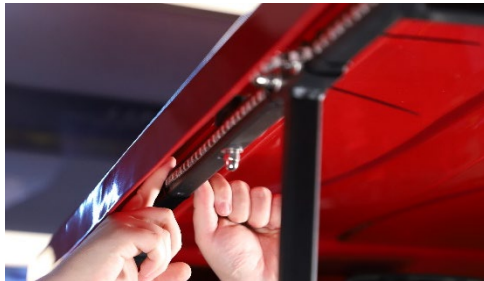
4. Route the left and right extension cables up the windshield tubes, to the front of the canopy. **[Fig.2]**

**[Fig.2]**

Installing strips to canopy

5. Using rubbing alcohol, clean the underside of the canopy. Once that has dried, apply the included adhesive promoter to the canopy, allowing that to dry.
6. Connect first 3FT strip to extensions from the windshield support.
7. Peeling back the cover from the strips, apply to the canopy working front to rear. **[Fig.3]**
8. Connect the 8IN strip to the tail of the 3FT strip, and install on rear of canopy working toward the center of the cart.

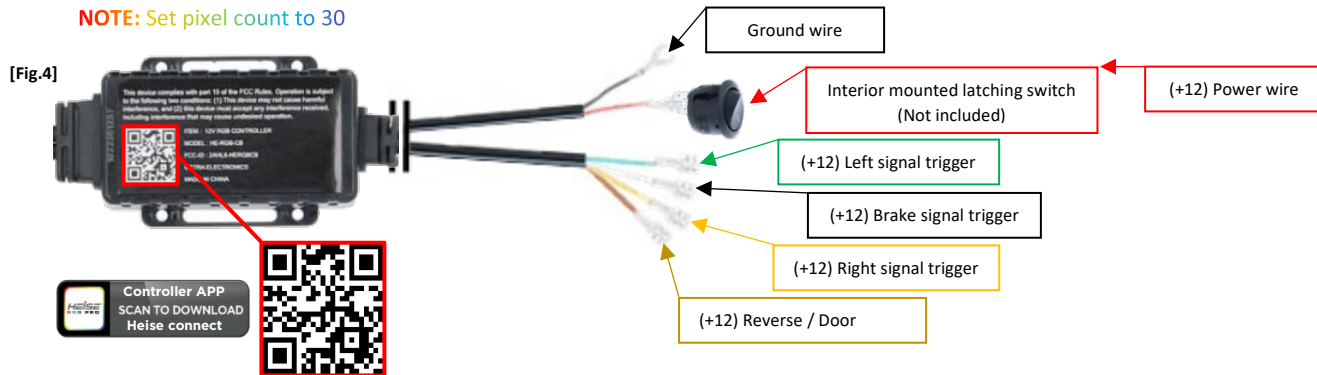
[See overview pg. 2]

**[Fig.3]**

Electrical connections

9. Locate the carts 12-volt circuit, using a multi meter identify a switched +12VDC and the ground connection. It may be necessary to use a schematic to identify the needed connections.
NOTE: It is NOT recommended to use a chassis ground on an electric golf cart.
10. If the cart has turning signals, braking lights, and reverse light, we recommend wiring directly to the harness at the lights. Use a digital multi meter to identify the positive +12VDC connection of the left and right lights. Splice in the trigger wires, and connect to respective side. [Fig.4] for color codes. Triggers are also noted on the controller harness.

Complete the installation by testing your lights, and reassembling the dashboard.



Thank you for purchasing from Metra Electronics! We're excited to see your installs, scan the QR to share on our Instagram. If you have any questions, comments, feedback on the product, please contact our tech support email via techsupport@metra-autosound.com.

