



Product information sheet

Ford/Mazda multi-kit 1995-2011

99-5027 / 586FT / FDDK1 / 527FD

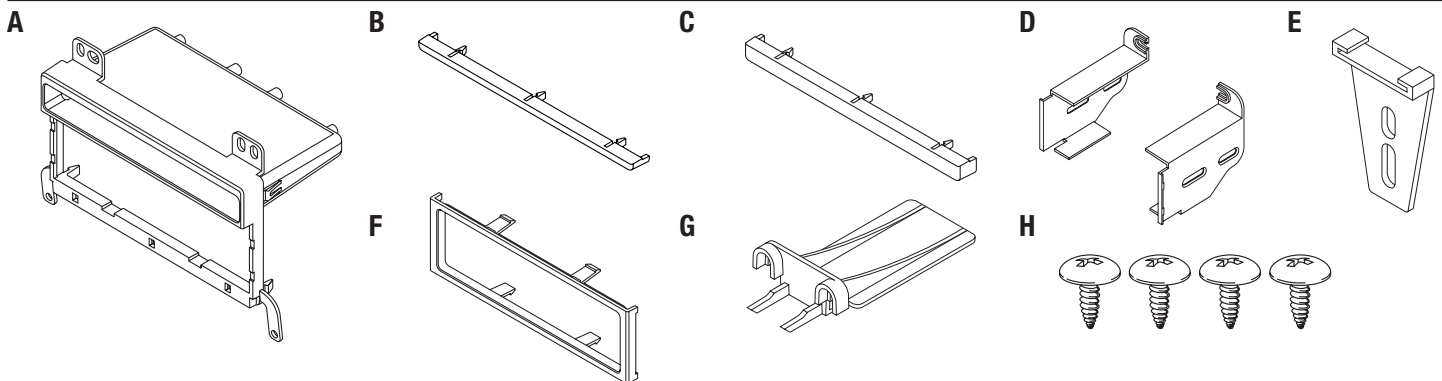
KIT FEATURES

- DIN radio provision with pocket
- ISO DIN radio provision with pocket



KIT COMPONENTS

- A) Radio housing • B) Radio housing trim piece "A" • C) Radio housing trim piece "B" • D) ISO Brackets
- E) Rear support • F) ISO Trim plate • G) Mounting bracket • H) (4) #8 x 3/8" Phillips screws



WIRING & ANTENNA CONNECTIONS (sold separately)

Wiring Harness: • Please visit www.metraonline.com for specific interface applications

Antenna Adapter: • Not required

APPLICATIONS

Ford	Explorer Sport Track 2001-2005	Mustang2001-2004	Mark 8.....1996-1998	Mazda
Crown Victoria .1995-2011	F-1501997-2003	Ranger.....1995-2011	Town Car1995-2002	B-Series Pickup
Econoline.....1997-2008	Ford (Cont)	Windstar1999-2003	Navigator1997-20021995-2009
Escape2001-2007	Excursion.....2000-2005	Lincoln	Lincoln	Mercury
Expedition.....1997-2002	F-150 (<i>Heritage</i>) 2004	Aviator.....2003-2005	Navigator (<i>with NAV,</i>	Grand Marquis .1995-2010
Expedition	F250.....1998	Continental1995-1997	<i>THX amp</i>)2003-2006	Mountaineer1997-2005
(<i>without NAV</i>).2003-2006	F-250/350/450/550 1999-2004	Blackwood.....2002	Navigator	Marauder.....2003-2004
Explorer1995-2005	F-650/7502000-2010		(<i>without NAV</i>).2003-2006	Mariner.....2005-2007

1-386-257-1187

METRA. THE WORLD'S BEST KITS.™

www.metraonline.com