

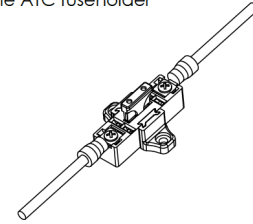
# ATC/ATM STACKABLE FUSE PANEL

**InstallBay**  
INSTALLATION HARDWARE

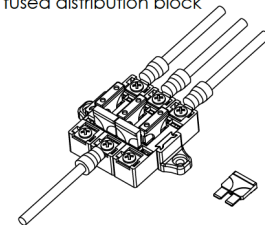
CELEBRATING  
**70**  
YEARS  
OF INNOVATION



Single in-line ATC fuseholder



1 x in/ 3 x out fused distribution block

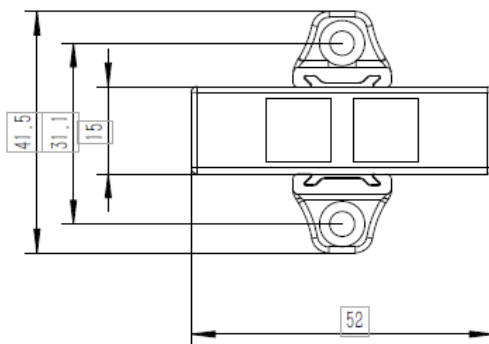
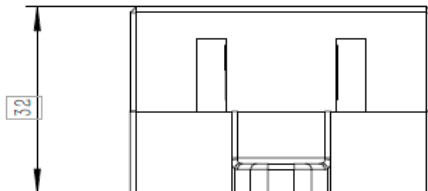


## ATMFP

# ATC/ATM STACKABLE FUSE PANEL



SALES 386-257-2956



### PRODUCT OVERVIEW

Modular ATC fuse block is ideal for marine and vehicle electrical systems. It is not only an in-line fuse holder, with jumpers you can use it to create any distribution block, fused distribution block or power/ground block as you want.

- **Maximum Amperage:** 40A per circuit / 100A per block
- **Maximum Voltage:** 32V DC
- **Mounting:** #8 Screw (M4)
- **Positive/Negative Bus:** #10-32 stud
- **Screw Terminal Torque:** 15 in-lb (1.69 N.m)
- **Screw Terminal Type:** #8-32 screws with star lock washer

