

If the AXTC-VW2's LED light didn't turn solid **Green** at the end of the vehicle programming sequence (step 6 from the AXTC-VW2 instructions), but flashed slowly **Green** instead, this means the AXTC-VW2 didn't detect the vehicle. Follow the steps below to trace down where the problem may lie. If any of the following steps are performed, reset and reprogram the AXTC-VW2 per the vehicle specific document.

Is the interface programmed?

Make sure the AXTC-VW2 is programmed exactly as the vehicle specific document is worded. The **Volume Up** button on the the steering wheel should be tapped at a heartbeat pace. Try tapping the **Volume Up** button at different speeds if no success after a couple attempts.

Does the factory equipment work?

Reinstall the factory radio and any electronic modules that are unplugged. Test the steering wheel control buttons, starting with the **Volume Up** button. If they don't work 100%, they will need to be repaired before using the AXTC-VW2.

Does the interface have power?

Connect the leads from a digital multimeter (DMM) to the **Black** (pin-7) and **Yellow** (pins 1 & 11\*) wires from the AXTC-VW2's 20-pin connector. The meter should read roughly 12-volts DC. If there's no power there, trace the wires back to the factory harness and test the factory wires.

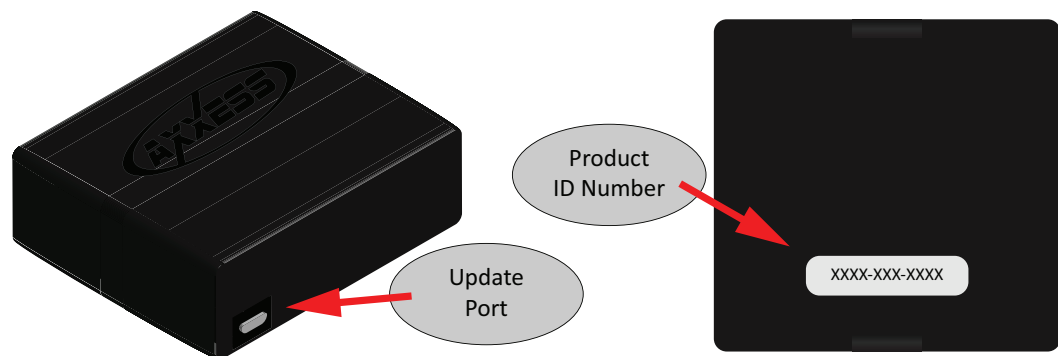
\* Check each wire one at a time

Does the interface have a good ground?

Still not working? Cut the **Black** ground wire from the AXTC-VW2 loose, crimp a ring terminal onto it, then secure it to a good chassis point in the vehicle. If the wire needs slightly extended, use the same gauge wire, along with a proper terminal to extend the wire. Soldering is also acceptable. Do not use tapping style connectors.

Update the AXTC-VW2

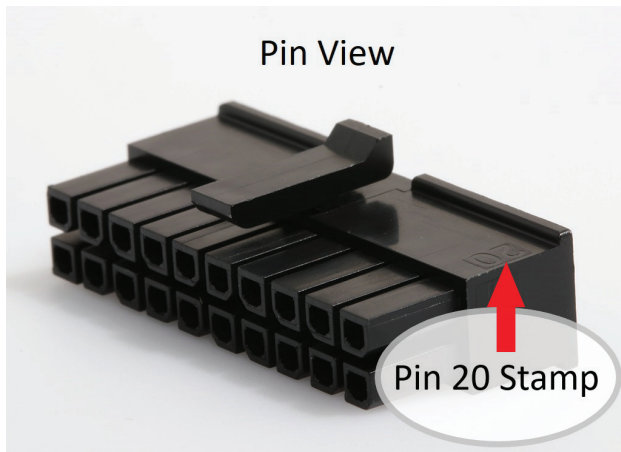
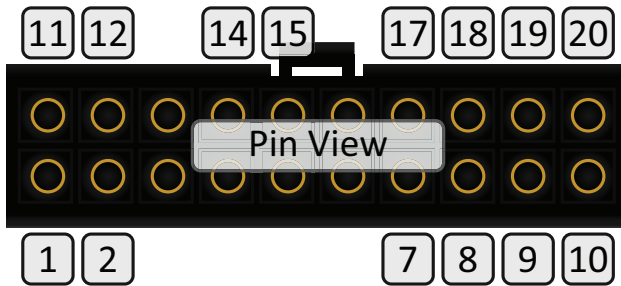
If all troubleshooting steps have been performed and the AXTC-VW2 still doesn't go solid **Green** at the end of the programming sequence, update the AXTC-VW2 to the latest firmware, then try programming once more. If the AXTC-1 still doesn't go solid **Green** at the end of the programming sequence, contact **Tech Support** at **1-800-253-TECH**. Be prepared to perform some tests in the vehicle when you contact **Tech Support**, and have the **VIN** of the vehicle and the **Product Identification Number** on the bottom of the AXTC-VW2 noted.



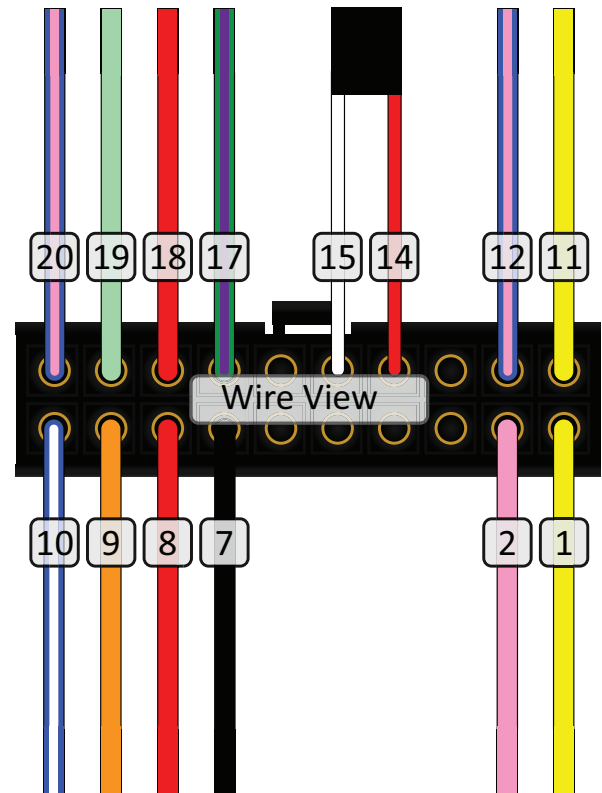
Back of AXTC-VW2

### AXTC-VW2 20-Pin Connector Pinout

This is the view of the AXTC-VW2 wiring harness looking at the **front of the connector** (pin view). For reference, the connector has the number 20 stamped onto it.



This is the view of the AXTC-VW2 wiring harness looking at the **back of the connector** (wire view). For reference, the connector has the number 20 stamped onto it.



Wire #	Color	Function	Input / Output	Notes
1	Yellow	12V+ Battery Power	Input	Tied with pin-11
2	Pink	CAN-HI Data	Input	
7	Black	Ground	Input	
8	Red	12V+ (5-amp) Accessory Power	Output	Tied with pin-18
9	Orange	12V+ Illumination	Output	
10	Blue/White	12V+ Amplifier Turn-On	Input	
11	Yellow	12V+ Battery Power	Input	Tied with pin-1
12	Blue/Pink	CAN-LO Data	Input	
14	Red (skinny)	SWC 3.5mm Jack +	Output	Tip of 3.5mm jack
15	White (skinny)	SWC 3.5mm Jack -	Output	Ring of 3.5mm jack
17	Green/Purple	12V+ Reverse Trigger	Output	
18	Red	12V+ (5-amp) Accessory Power	Output	Tied with pin-8
19	Light Green	12V- Parking Brake Trigger	Output	
20	Blue/Pink	VSS (speed pulse)	Output	4000 pulses per mile