

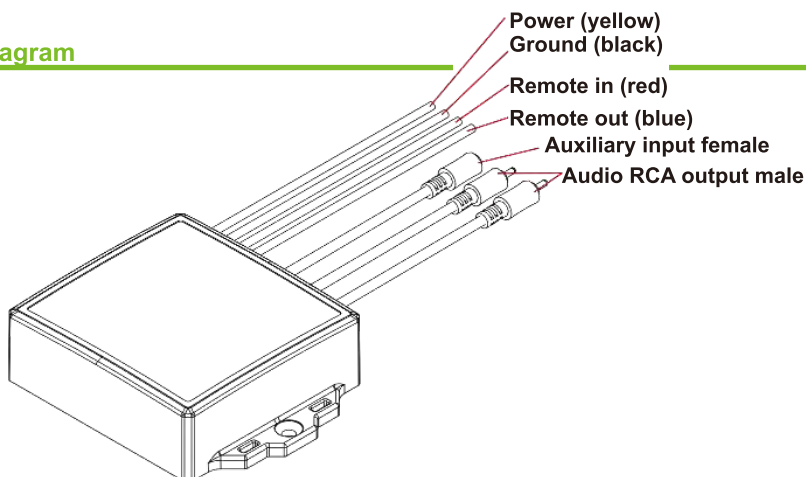
Features

- Control volume +/-, track FWD/PREV, PLAY/PAUSE, and auxiliary input
- Equipped with QCC3034 Bluetooth® 5.1 chips
- Easily switch between wireless input and auxiliary input
- Wireless remote with steering wheel mount: 1.85"x.78"
- Rated IPX7 for powersports & marine applications
- Drill-less mounting solution included
- Controller: 2.87"x 2.8"x.94"
- 24-bit lossless audio processor
- Amplifier remote turn-on output
- 5.2V 2-channel RCA output
- Wireless range: 35ft/11m
- 1-year warranty



Installation Tips

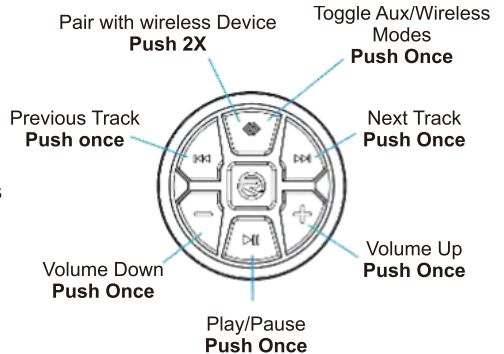
- 1 Ensure your streaming device has wireless mode enabled and that power is applied to the IBBTR18. (The blue LED on the IBBTR18 will blink to indicate it is in pairing mode.)
- 2 Within your streaming device's wireless setup menu, select "IBBTR18" from the list of pairable devices.
- 3 When successfully connected, the Blue LED on the IBBTR18 will stop blinking and remain lit. A single beep will be heard through the connected audio system.
- 4 Connecting the blue wire (remote out) to the amplifier (remote in) to turn the amplifier on/off.
- 5 The IBBTR18 will remember the last device that was connected to it and reconnect with it automatically. When a connected streaming device is out of range for more than one minute, the IBBTR18 will automatically disconnect this device and return to pairing mode (LED will blink).
- 6 The IBBTR18 can be installed out of sight, as it has a wireless remote to be used with it.

Wiring Diagram



Operation Guide

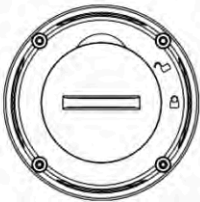
- 1 Double click pairing “” button to pair wireless remote with controller.
- 2 Press “+” & “-” for level up & down.
- 3 Press “▶▶” & “◀◀” for track forward & backward.
- 4 Press “▶||” to play and pause music.
- 5 Press the “” button to switch between wireless and Aux modes.
- 6 Operation LED (Blue) flash once.
Pairing LED (Blue) flashes.



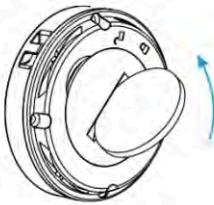
Change Battery

The cell battery is designed to last for two years. If it runs out of power, remove the cover at the back. Use a sharp pin to pop it out, and put in a standard CR2032 battery.

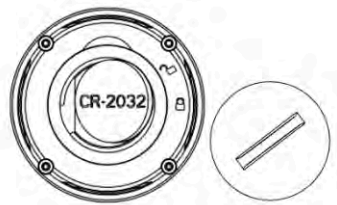
- 1 When the groove is aligned to  , it is locked.




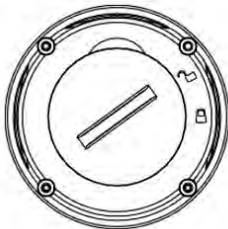
- 2 Use a coin to open the battery compartment cover.



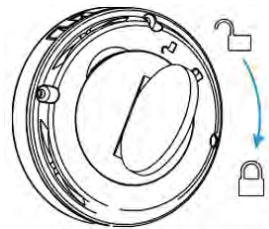
- 3 Use a sharp pin to pop out old cell battery, and replace it with a new one.



- 4 Put the cover back. Align the groove with the  icon.

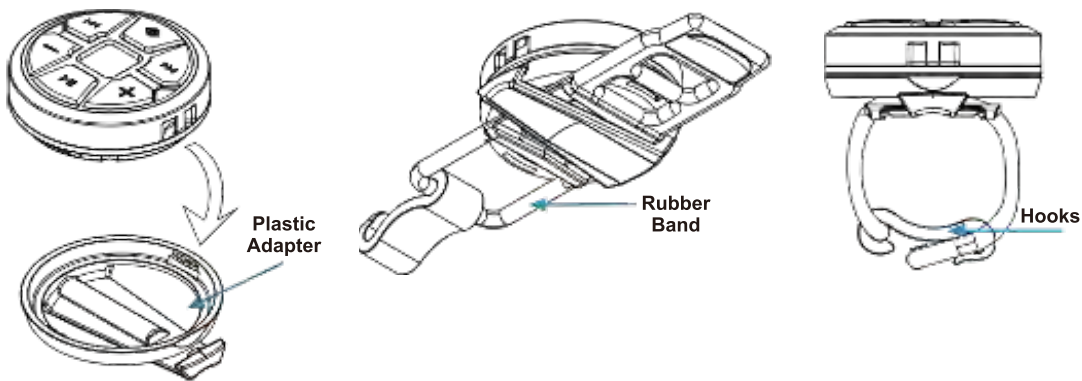


- 5 Use a coin to turn and lock the cover.

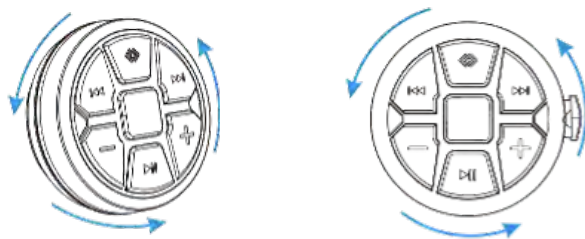


Installing the Rubber Band

Snap the unit into the plastic adapter. Using the included rubber band for steering wheel and bar mounting, hold the rubber against the steering wheel. Wrap it around, then hook it up.



Taking Remote Out of Adapter



Hold the plastic adapter and turn the remote until it pops out.

Sling for Remote Control

Use the included sling to carry this waterproof remote control.



FCC Compliance Statement

Note: This equipment has been tested and found to comply with the limits for a Class B digital device, pursuant to Part 15 of the FCC Rules. These limits are designed to provide reasonable protection against harmful interference in a residential installation. This equipment generates, uses, and can radiate radio frequency energy, and if not installed and used in accordance with the instructions, may cause harmful interference to radio communications. However, there is no guarantee that interference will not occur in a particular installation. If this equipment does cause harmful interference to radio or television reception, which can be determined by turning the equipment off and on, the user is encouraged to try to correct the interference by one or more of the following measures:

- Reorient or relocate the receiving antenna.
- Increase the separation between the equipment and receiver.
- Connect the equipment into an outlet on a circuit different from that to which the receiver is connected.
- Consult the dealer or an experienced radio/TV technician for help.

Changes or modifications not expressly approved by the party responsible for compliance could void the user's authority to operate the equipment.

This device complies with Part 15 of the FCC Rules. Operation is subject to the following two conditions:

- (1) this device may not cause harmful interference, and
- (2) this device must accept any interference received, including interference that may cause undesired operation.

The Bluetooth® word mark and logos are registered trademarks owned by Bluetooth SIG, Inc., and any use of such marks by Metra Electronics is under license. Other trademarks and trade names are those of their respective owners.