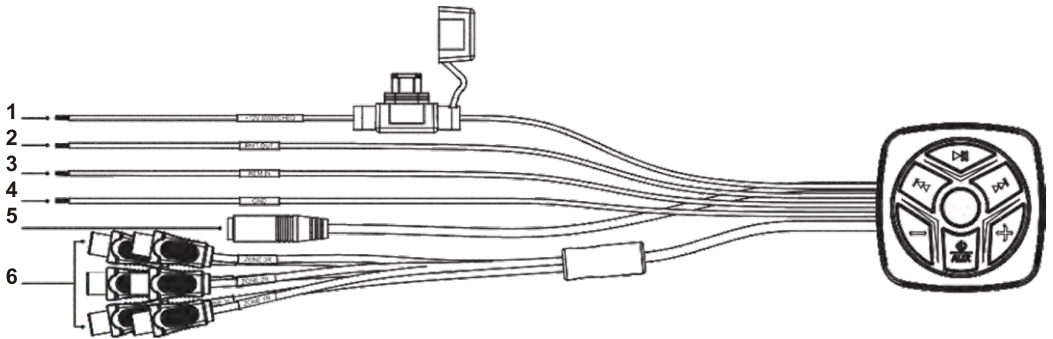


Features

- 4V output
- Auxiliary Input
- 3 zones of independent volume control
- Compact design
- Support apt-X HD support
- Bluetooth v5.1 chip set
- Waterproof IPX6 rating
- Universal design works with any amplifier or device with line level (RCA) inputs.



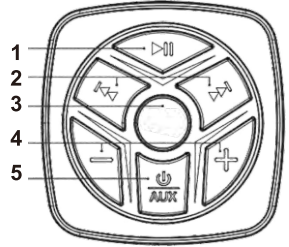
Connections



- 1 12 Volt Power Input (Red) (Fused at 2A)** - Connect this lead to a constant or switched source from your vehicle. Once power is applied, you can use either the main Power/Aux button or the Remote In wire to turn the unit on and off.
- 2 Remote Out (Blue)** - Use this remote output to trigger on your amps.
- 3 Remote In (Blue/White)** - If you want the unit to turn on/off with your vehicle, connect this lead to an accessory (switched) power source.
- 4 Ground Input (Black)** - Connect this lead to a solid ground connection in your vehicle.
- 5 Aux Input** - Connect a secondary audio source here using a 3.5mm stereo audio cable.
- 6 RCA Outputs** - 3 pairs of RCA outputs allow you connect up to 3 amps with separate volume control for each amp or “zone.”

Connections

- 1 Play/Pause button** - Starts and stops playback of your favorite music on your wireless connected device
- 2 Skip Forward/Back buttons** - Allows you to skip forward and back through your tracks on your connected wireless device.
- 3 Zone Toggle** - Pressing the Install Bay glyph button toggles through the zone controls. Press the button repeatedly to toggle through zones until you reach the desired zone.
- 4 Volume control buttons** - These plus (+) and minus (-) buttons give you the control to ramp your volumes up and down. Volume can be adjusted globally or by zone (see page 6 for more detail).
- 5 Power/Aux button** - Pressing this button once will turn the IBBTR19 on or off. A quick double press of this button will switch the audio source to the auxiliary input. Double press this button again to switch back to wireless mode.



Quick Start

Here are a few general steps to get your IBBTR19 audio controller up and running.

- Undo the +12V and Ground connections to the vehicle battery before making any connections to the controller.
- Pick a mounting location that will provide access to the controls and connections, provide plenty of good ventilation, and protect the controller from heat, moisture, and dirt.
- The IBBTR19 can be securely mounted using the four mounting holes located at each corner.
- Before drilling any holes, take every precaution to prevent any damage to fuel lines, power and other electrical wiring, hydraulic brake lines, and other systems, that might compromise vehicle safety.
- When making connections, designate red RCA plugs as right and designate white, black, or gray plugs as left. This is a good idea for all signal connections made in your audio system. The key is consistency. Stick with the same color coding and you'll reduce possible problems.
- Use quality interconnect cables.
- Connect the +12V input terminal of the unit to an accessory (switched) power source from your vehicle. Use 16-22 gauge wire. Connect the Ground terminal of the unit to a solid ground connection from your vehicle using the same wire gauge as the +12V power wire.
- Connect the audio outputs of the unit to a signal processor or amplifier.

Bluetooth® Wireless Connectivity Pairing

- After the IBBTR19 is powered up, you'll see the center Install Bay button flashing quickly. This shows the unit is ready to pair.
- Open your mobile device's wireless settings, find the device called "IBBTR19" and select it.
- After pairing is complete, the flashing blue light will change to a constant blue light that is the same color as the other control buttons.

Playback and Volume Controls

The IBBTR19 is a 3-zone controller. The skip forward/back and play/pause buttons will control source playback regardless of which zone is selected.

By default, the +/- volume buttons will adjust volume on a paired mobile device. To adjust output level for an individual zone, press the Center Button button to toggle to the desired zone, then adjust the output level using the +/- volume buttons. As you press the Center Button button to toggle zones, the colors of the buttons will change to show you what zone is selected:

GREEN/ All Zones (adjusts paired device volume)

ORANGE /Zone 1

BLUE /Zone 2

RED /Zone 3

IMPORTANT: Adjusting volume from the default (GREEN /all zones) state will adjust the volume on the paired mobile device. When you initially pair a mobile device, the output level on all zones will be the same.

Adjusting individual zone output levels will not adjust volume on the paired mobile device, only the output level for the zone being adjusted. You can attenuate (decrease) the output level of any zone to your liking without affecting the paired device volume.

EXAMPLE: Say the paired mobile device volume is set to 80%. If you were to decrease the output level on zone 2 to 50%, it will output half of the paired device's volume (40%). If you then change the device volume to 60%, zone 2 will still output 50% of the device volume (30%). Zones 1 and 3 will continue to output 100% of the paired device's volume.

Auxiliary Input

The IBBTR19 features a 3.5 mm auxiliary input. You could, for example, connect your portable audio device's headphone output to the auxiliary input with a stereo 3.5mm audio cable.

Double tap the Aux/Power button to change the IBBTR19 source from wireless to Auxiliary. When you have successfully changed the source, the Center Button will turn white instead of blue. Only the Center Button changes color to reflect the Auxiliary input status, other button colors will remain unchanged. In Auxiliary Input mode, zone volume controls will work as described previously.

BBTR19 Bluetooth® Wireless Connectivity

Nominal Output Level	4Vrms
S/N Ratio	95 dBa
Maximum Data Rate	3 Mbps (1.6 Mbps typical)
Operating Range	10+ meters (depending on environment)
Current Draw	100 mA
Recommended Power / Ground Wire Gauge	16-22 Gauge
Fuse Rating	2A
Weight	0.43 lbs.
Dimensions	2.51"L X 2.51"W X 3.17"D (0.86" mounted depth)

FCC Compliance Statement

Note: This equipment has been tested and found to comply with the limits for a Class B digital device, pursuant to Part 15 of the FCC Rules. These limits are designed to provide reasonable protection against harmful interference in a residential installation. This equipment generates, uses, and can radiate radio frequency energy, and if not installed and used in accordance with the instructions, may cause harmful interference to radio communications. However, there is no guarantee that interference will not occur in a particular installation. If this equipment does cause harmful interference to radio or television reception, which can be determined by turning the equipment off and on, the user is encouraged to try to correct the interference by one or more of the following measures:

- Reorient or relocate the receiving antenna.
- Increase the separation between the equipment and receiver.
- Connect the equipment into an outlet on a circuit different from that to which the receiver is connected.
- Consult the dealer or an experienced radio/TV technician for help.

Changes or modifications not expressly approved by the party responsible for compliance could void the user's authority to operate the equipment.

This device complies with Part 15 of the FCC Rules. Operation is subject to the following two conditions:

- (1) this device may not cause harmful interference, and
- (2) this device must accept any interference received, including interference that may cause undesired operation.

The Bluetooth® word mark and logos are registered trademarks owned by Bluetooth SIG, Inc., and any use of such marks by Metra Electronics is under license. Other trademarks and trade names are those of their respective owners.