



Chevrolet Camaro 2016-Up

Visit MetraOnline.com for more detailed information about the product and up-to-date vehicle specific applications

KIT FEATURES

- Designed specifically for the Pioneer DMH-C2550NEX and DMH-C2500NEX radios
- Painted scratch resistant matte black to match the factory finish

KIT COMPONENTS

- A) Display screen housing • B) Display screen trim bezel • C) Display screen trim • D) Display screen brackets • E) Panel clips (6) • F) Phillips screws (4)

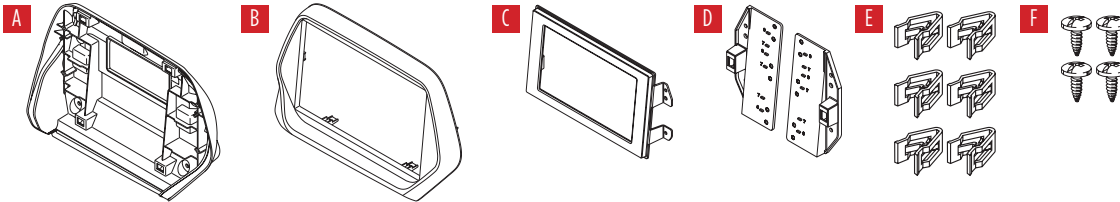


TABLE OF CONTENTS

Dash Disassembly	2
Kit Assembly	3

WIRING & ANTENNA CONNECTIONS

- Wiring Harness: Refer to axxessinterfaces.com for wiring harness options
- Antenna Adapter: 40-EU55 (sold separately)
- Steering Wheel Control Interface: ASWC-1 (sold separately)
- RGB Extension Cable: Pioneer part # CD-RGB150E (not sold by Metra)

TOOLS REQUIRED

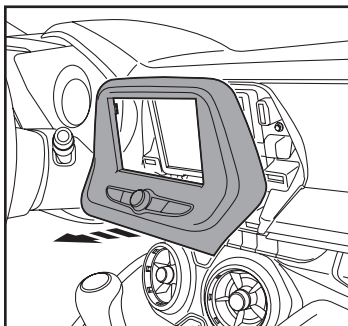
- Panel removal tool • Phillips screwdriver
- 9/32" socket wrench

Attention! Let the vehicle sit with the key out of the ignition for a few minutes before removing the factory radio. When testing the aftermarket equipment, ensure that all factory equipment is connected before cycling the key to ignition.

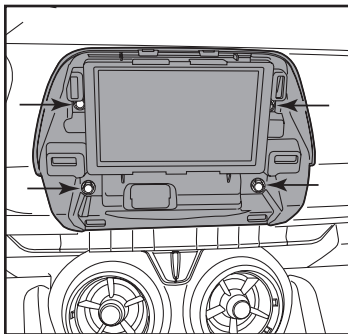
DASH DISASSEMBLY

Models equipped with a 7-inch touchscreen radio:

1. Unclip, unplug, and remove the radio control trim panel surrounding the radio. (Figure A)
2. Remove (4) 9/32" screws securing the radio, then unplug and remove. (Figure B)



(Figure A)

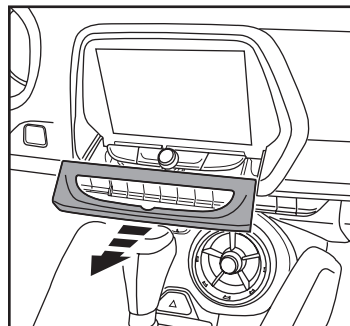


(Figure B)

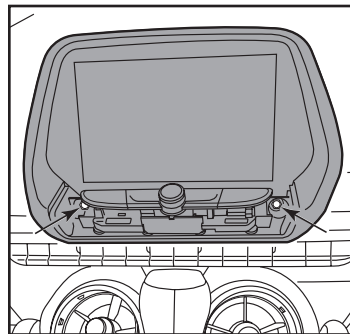
Models equipped with an 8-inch touchscreen radio:

1. Unclip and remove the trim surrounding the radio controls. (Figure C)
2. Remove (2) 9/32" screws securing the radio, then unplug and remove. (Figure D)

Continue to Kit Assembly



(Figure C)



(Figure D)

KIT ASSEMBLY

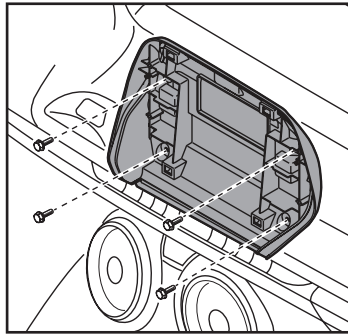
1. Secure the **display screen housing** to the dash using the factory hardware. (Figure A)

Note: For vehicles equipped with an 8-inch touchscreen radio, remove (2) 9/32" screws from the dash beforehand.

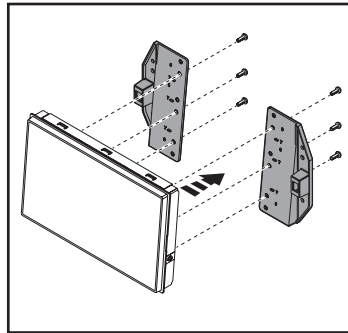
2. Remove the locator pins stamped "8" from the **display screen brackets**. Using the holes stamped "7", secure the display screen to the brackets using (6) screws supplied with the radio. (Figure B)

Note: Reference the installation manual provided with the radio for which hardware to use. The display screen and radio chassis use two different types of screws.

3. Find a suitable location for the radio chassis. Route the RGB extension cable from the radio chassis to the display screen, then connect it to the display screen.

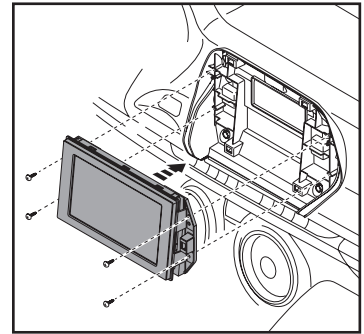


(Figure A)

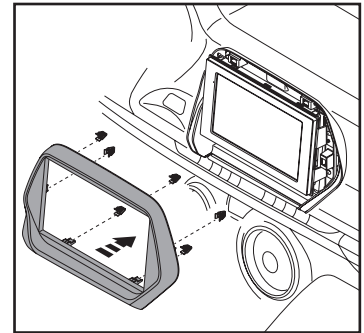


(Figure B)

4. Place the **display screen trim** over the bracket/display assembly, then secure the assembly to the **display screen housing** using (4) Phillips screws provided. (Figure C)
5. Locate the factory wiring harness and antenna connector in the dash and complete all necessary connections to the radio assembly. Metra recommends using the proper mating adapter from Metra and/ or Axxess. Test the radio for proper operation.
6. Attach (6) **panel clips** provided onto the **display screen trim bezel**, then clip the bezel over the radio to complete the installation. (Figure D)



(Figure C)



(Figure D)



107-GM3B
INSTALLATION INSTRUCTIONS



If you are having difficulties with the installation of this product, contact our Tech Support line either by phone at **1-800-253-TECH**, or email at **techsupport@metra-autosound.com**. Before doing so, look over the instruction booklet a second time and ensure that the installation was performed exactly as the instruction booklet is stated. Have the vehicle apart and ready to perform troubleshooting steps before contacting Metra/Axxess Tech Support.



KNOWLEDGE IS POWER

Enhance your installation and fabrication skills by enrolling in the most recognized and respected mobile electronics school in our industry. Log onto www.installerinstitute.com or call 800-354-6782 for more information and take steps toward a better tomorrow.



Metra recommends MECP certified technicians