



Toyota Highlander (w/o NAV) 2008-2012

Visit MetraOnline.com for more detailed information about the product and up-to-date vehicle specific applications

KIT FEATURES

- Designed specifically for the Pioneer DMH-C5500NEX 8-inch radio
- 108-T03B = Black, 108-T03BR = Brown

KIT COMPONENTS

- A) Radio trim panel • B) Radio brackets • C) Panel clips (4)

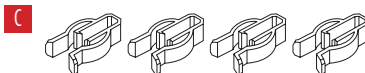
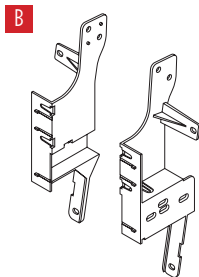
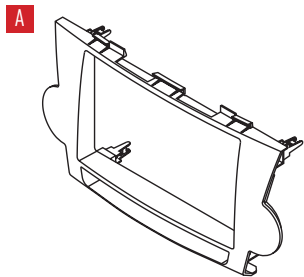


TABLE OF CONTENTS

Dash Disassembly	2
Kit Preparation	3-4
Kit Assembly	5

WIRING & ANTENNA CONNECTIONS (sold separately)

- Wiring Harness: 70-1761 • TYTO-01 (w/ amp)
- Antenna Adapter: Not required

TOOLS REQUIRED

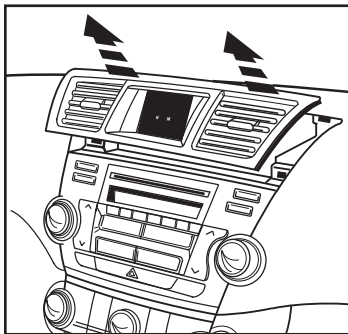
- Panel removal tool • Phillips screwdriver
- Cutting tool • 10mm socket wrench

Attention! Let the vehicle sit with the key out of the ignition for a few minutes before removing the factory radio. When testing the aftermarket equipment, ensure that all factory equipment is connected before cycling the key to ignition.

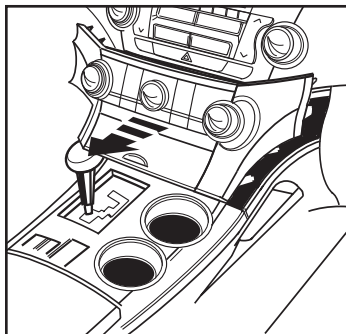
DASH DISASSEMBLY

1. Unclip and remove the a/c vent panel. (Figure A)
2. Unclip, unplug, and remove the climate control panel. (Figure B)
3. Remove (4) 10mm bolts securing the radio. Slide the radio out, then unplug and remove the radio/display assembly. (Figure C)

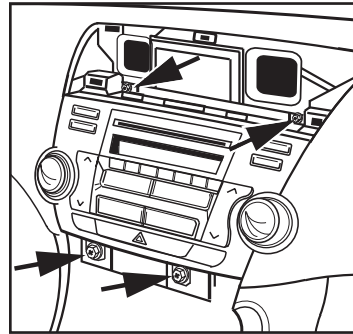
Continue to Kit Preparation



(Figure A)



(Figure B)



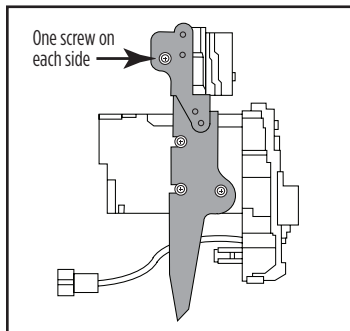
(Figure C)

KIT PREPARATION

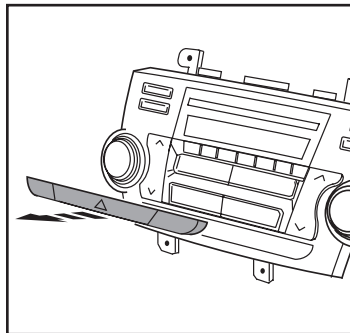
From the factory radio/display assembly:

1. Remove (2) Phillips screws securing the display panel, then remove. (Figure A)
2. Unclip and remove the hazard switch assembly. (Figure B)
3. Remove (4) panel clips. (Figure C)

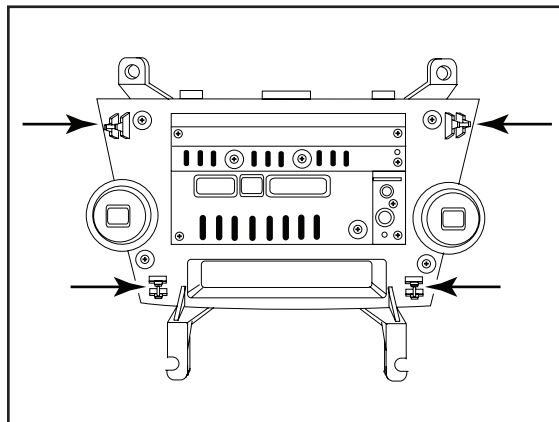
Continued on the next page



(Figure A)



(Figure B)



(Figure C)

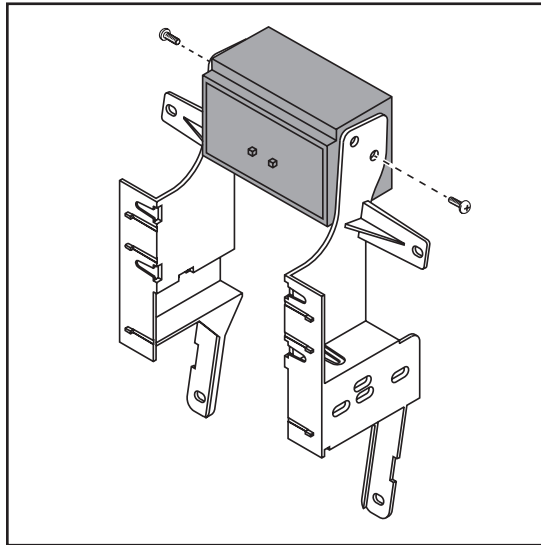
KIT PREPARATION *(CONT.)*

To the 108-T03 radio housing:

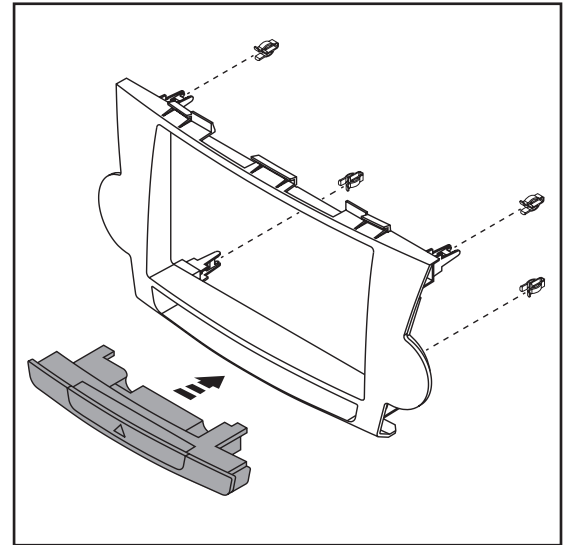
5. Secure the **radio brackets** to the factory display panel using the factory screws. (Figure D)
6. Clip in the hazard switch assembly. (Figure E)
7. Attach the (4) factory panel clips removed in step 3. (Figure E)

Note: Panel clips have been provided in case the factory clips are missing or are damaged.

Continue to Kit Assembly



(Figure D)

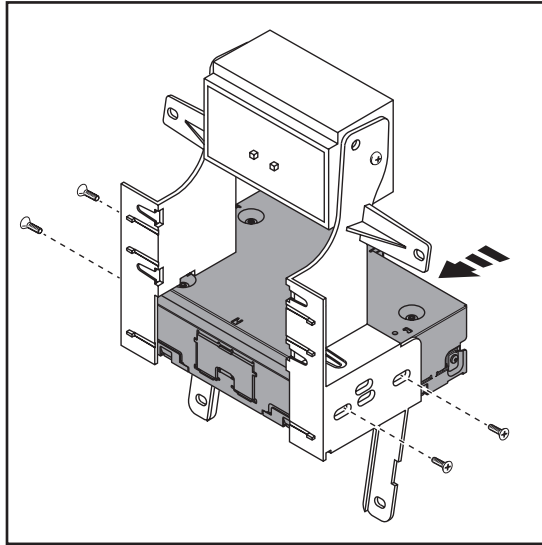


(Figure E)

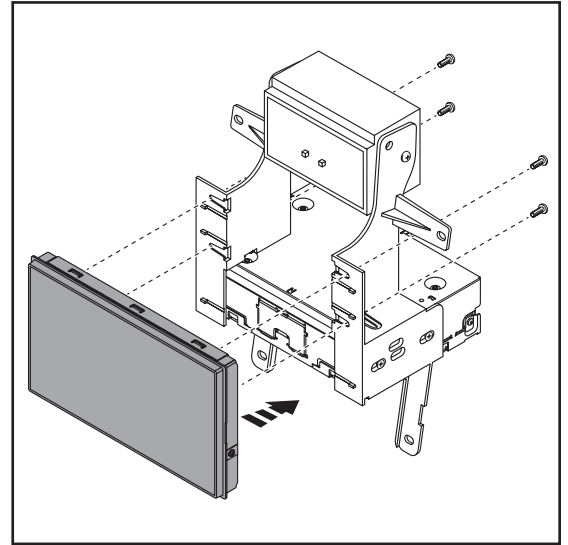
KIT ASSEMBLY

Note: For steps 1 and 2, reference the installation manual provided with the radio for which hardware to use. The display screen and radio chassis use two different types of screws.

1. Slide the radio chassis between the **radio brackets**, then secure using (4) screws supplied with the radio. (Figure A)
2. Secure the radio display to the **radio brackets** using (4) screws supplied with the radio. (Figure B)
3. Locate the factory wiring harness and antenna connector in the dash, and complete all necessary connections to the radio. Metra recommends using the proper mating adapter from Metra and/or AXXESS. Test the radio for proper operation.
4. Slide the completed assembly into the dash, then secure using the factory screws.
5. Snap the **radio trim panel** over the completed assembly, then reassemble the dash in reverse order of disassembly to complete the installation.



(Figure A)



(Figure B)





108-T03

INSTALLATION INSTRUCTIONS



If you are having difficulties with the installation of this product, contact our Tech Support line either by phone at **386-257-1187**, or email at **techsupport@metra-autosound.com**. Before doing so, look over the instruction booklet a second time and ensure that the installation was performed exactly as the instruction booklet is stated. Have the vehicle apart and ready to perform troubleshooting steps before contacting Metra/Axxess Tech Support.



® KNOWLEDGE IS POWER

Enhance your installation and fabrication skills by enrolling in the most recognized and respected mobile electronics school in our industry. Log onto www.installerinstitute.com or call 800-354-6782 for more information and take steps toward a better tomorrow.



Metra recommends MECP certified technicians