



APPLICATIONS

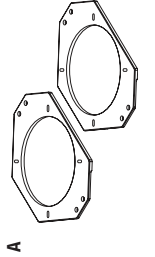
Jeep Wrangler 1997-2006 82-1013

KIT FEATURES

- 82-1013 (adapts 5 1/4" speaker to dash location)

KIT COMPONENTS

- A) 82-1013 Speaker adaptor plates • B) (8) #8 x 1/2" Phillips screws



WIRING & ANTENNA CONNECTIONS (sold separately)

Wiring Harness: • 72-6512 speaker harness

Antenna Adapter: • Not required

TOOLS REQUIRED

- Phillips screwdriver

Table of Contents

Dash Disassembly
– Jeep Wrangler 1997-2006..... 2

Kit Preparation..... 2

Kit Assembly 3

CAUTION: Metra recommends disconnecting the negative battery terminal before beginning any installation. All accessories, switches, and especially air bag indicator lights must be plugged in before reconnecting the battery or cycling the ignition.

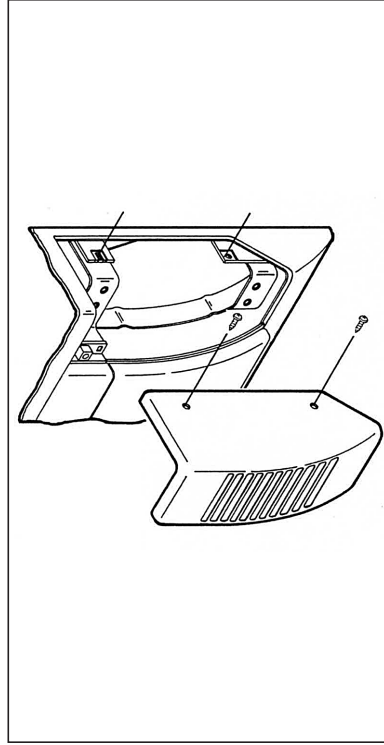
NOTE: Refer to the instructions included with the aftermarket radio.

Dash Disassembly

Note: Parts 82-1011, 82-1012, 82-1013 installation directions cross reference. Use the following instructions for each dash location.

1. Remove (2) Phillips screws securing the speaker grille panel. (Figure A)
2. Unclip panel and remove. (Figure A)

Continue to kit preparation

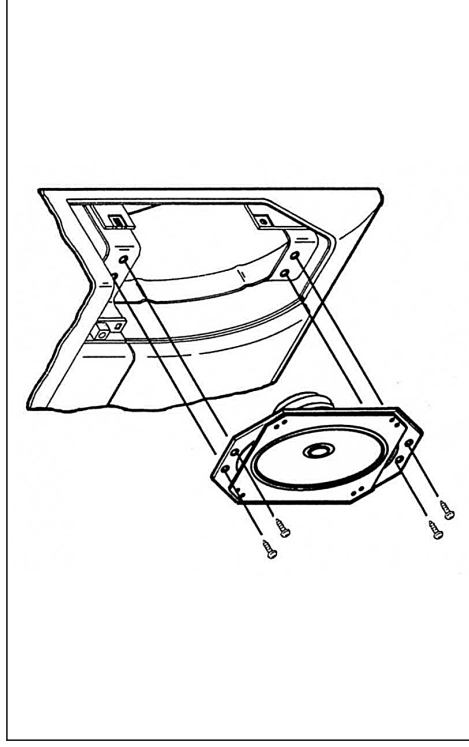


(Figure A)

Kit Preparation

1. Mount aftermarket speaker to the speaker adaptor plate with the screws supplied with the speaker. (Figure A)

Continue to kit assembly



(Figure A)



INSTALLATION INSTRUCTIONS FOR PART 82-1013



REV 12/9/2013 INST82-1013



KNOWLEDGE IS POWER

Enhance your installation and fabrication skills by enrolling in the most recognized and respected mobile electronics training program in the world. Log onto www.installerinstitute.com or call 800-354-6782 for more information and take steps toward a better tomorrow.



Metra recommends MECP certified technicians

METRA. The World's best kits.™

1-800-221-0932

metraonline.com

© COPYRIGHT 2004-2013 METRA ELECTRONICS CORPORATION