



ISO-DIN pocket 1981-2012

Infiniti, Lexus, Mercury, Mitsubishi, Nissan, Subaru, Toyota

(see applications on page 2)

KIT FEATURES

- Pocket provision for ISO DIN installations
- Holds (3) CD jewel cases
- Includes USB charging adapter

KIT COMPONENTS

- A) Pocket • B) Nissan/Infiniti/Mercury trim • C) Mitsubishi trim • D) Subaru trim • E) Toyota/Lexus trim • F) (4) # 8 x 1/4" Phillips screws
- G) USB charging socket/cable

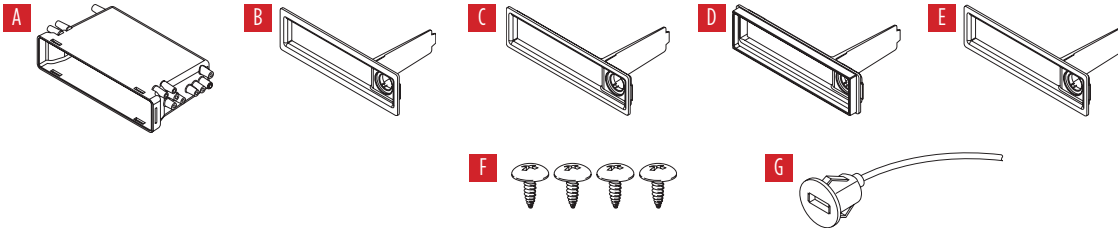


TABLE OF CONTENTS

Applications.....	2
Kit Assembly	2-3

WIRING & ANTENNA CONNECTIONS (sold separately)

- Please use the vehicle fit guide available at metraonline.com

TOOLS REQUIRED

- Phillips screwdriver

CAUTION! All accessories, switches, climate controls panels, and especially air bag indicator lights must be connected before cycling the ignition. Also, do not remove the factory radio with the key in the on position, or while the vehicle is running.

APPLICATIONS

Infiniti

G20	1999-2002
I30	1996-1999
J30	1993-1997
M30	1990-1992
Q45	1990-1996

Lexus

ES 250	1990-1991
LX 450	1996-1997

Mercury

Villager	1993-2002
----------------	-----------

Mitsubishi

3000 GT	1991-1999
Diamante	1992-2004
Diamante Wagon	1993-1995
Eclipse	1995-2005
Eclipse Spyder	1995-2005
Galant (w/ separate a/c)	2004-2012
Galant	1994-1998
Mirage	1997-2002
Montero	1997-2006
Montero Sport	2000-2004
Outlander	2003-2006

Nissan

200SX	1995-1998
240SX	1989-1998
Altima	1993-2001
Frontier	1998-2004
Hardbody Pickup	1994-1997
Maxima	2000-2003 (w/o wrap around radio)
Maxima	1995-1999
Maxima	1987-1991
Pathfinder SE	2003-2004
Pathfinder (w/o nav)	2001-2002
Pathfinder	1994-2000
Pulsar	1987-1990
Quest	1993-2003
Sentra	1995-1999
Stanza	1987-1992
Xterra	2000-2004

Subaru

Galant	2003-2006
Forester	1998-2008
Impreza	1993-2007
Legacy	1995-2004
Outback	1998-2004
Outback Sport	2005-2006

Toyota

4-Runner	1984-2002
Avalon	1995-1999
Camry	1983-1991
Camry	1992-2001
Camry Solara	1999-2003
Celica	1982-1993
Celica	1994-1999
Corolla (coupe/hatchback) ..	1982-1983
Corolla	1984-1997
Cressida	1981-1992
Land Cruiser (without nav) ..	2000-2002
Land Cruiser	1993-1999
Land Cruiser	1988-1992
MR2	1985-1995
Paseo	1992-1997
Pickup	1984-1995
Previa	1991-1997
Rav-4	2001-2002
Sequoia	2001-2002
Sienna	1996-2003
Supra	1983-1992
Supra	1994-1998
T-100	1993-1998
Tacoma	1995-2004
Tercel	1983-1986
Tercel	1987-1998
Tundra	2000-2002
Van	1984-1990

KIT ASSEMBLY

1. Remove the fuse holder cover and pigtail from the USB charging socket fuse holder, then remove the fuse.
2. Insert and click in the socket to the appropriate faceplate, lining up the keyway in the socket with the groove in the faceplate. Reference the legend to locate the appropriate faceplate. (Figure A)
3. Knock out the rear of the pocket to allow the socket wiring to go through, then route the wiring through the hole. (Figure B)

Continued on the next page

Legend

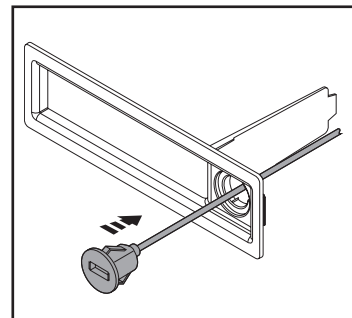
Refer to the letter on the back of the faceplate to locate the appropriate faceplate.

N - Nissan/Infiniti/Mercury trim

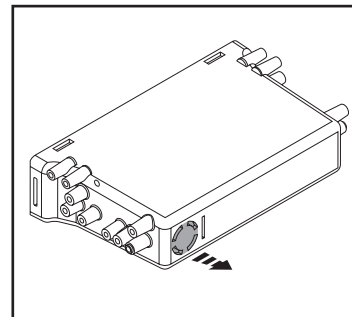
M - Mitsubishi trim

S - Subaru trim

T - Toyota/Lexus



(Figure A)

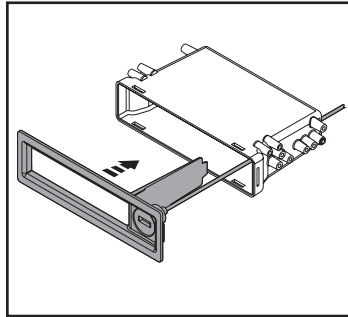


(Figure B)

KIT ASSEMBLY (CONT.)

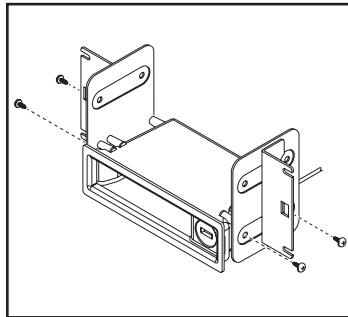
4. Reinstall the fuse and fuse holder cover back onto the USB charging socket fuse holder.
5. Clip the *faceplate* onto the *pocket*, ensuring that the rear tab on the *faceplate* lines up with the groove in the *pocket*. (Figure C)

Note: Once the *faceplate* clips in, it cannot be unclipped without damaging the *pocket*.



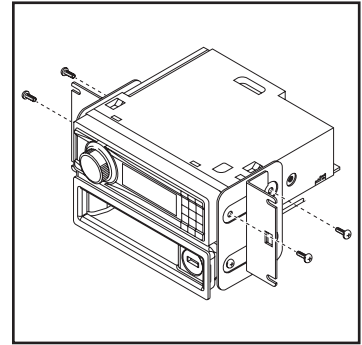
(Figure C)

6. Remove the brackets from the factory radio.
7. Attach the *pocket* to the brackets using the (4) #8 x 1/4" Phillips screws provided. (Figure D)
8. Remove the metal DIN sleeve and trim ring from the aftermarket radio.



(Figure D)

9. Slide the radio into the bracket/pocket assembly, and then secure it using the screws supplied with the radio. (Figure E)
10. Connect the **Black** wire from the *USB charging socket* to chassis ground.
11. Connect the **Red** wire from the *USB charging socket* to either battery power, or accessory power, depending on the desired choice.
12. Locate the factory wiring harness and antenna connector in the dash and complete all necessary connections to the radio. Metra recommends using the proper mating adapter from Metra. Test the radio for proper operation.
13. Secure the completed assembly into the dash using the factory screws, and then reassemble the dash in reverse order of disassembly.



(Figure E)



88-00-9007
INSTALLATION INSTRUCTIONS



IMPORTANT

If you are having difficulties with the installation of this product, please call our Tech Support line at 1-800-253-TECH. Before doing so, look over the instructions a second time, and make sure the installation was performed exactly as the instructions are stated. Please have the vehicle apart and ready to perform troubleshooting steps before calling.



KNOWLEDGE IS POWER

Enhance your installation and fabrication skills by enrolling in the most recognized and respected mobile electronics school in our industry. Log onto www.installerinstitute.com or call 800-354-6782 for more information and take steps toward a better tomorrow.



**Metra recommends MECP
certified technicians**