



INSTALLATION INSTRUCTIONS FOR PART 89-30-3310

APPLICATIONS

Pontiac Sunbird 1989-1994

(cars with factory cassette decks only)

89-30-3310

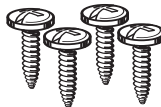
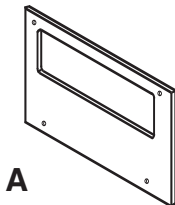
KIT FEATURES

- Single DIN Radio Provision



KIT COMPONENTS

A) Trim Plate B) (4) Phillips head screws



TOOLS REQUIRED:

- Small Flat Blade Screwdriver/ Panel Removal Tool
- Phillips Screwdriver



1-800-221-0932



www.metraonline.com

© COPYRIGHT 2004 METRA ELECTRONICS CORPORATION



TABLE OF CONTENTS

Dash Disassembly

- Pontiac Sunbird 1989-1994 1

Kit Assembly

- Single DIN Radio Provision 2

Final Assembly 3

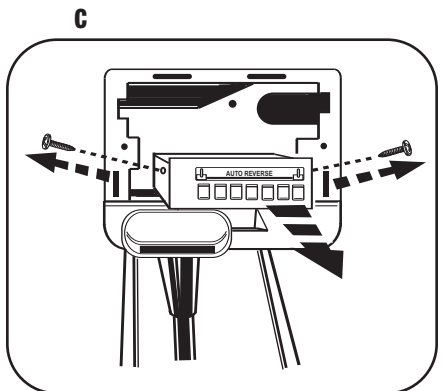
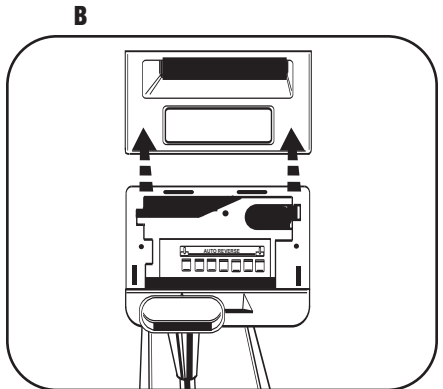
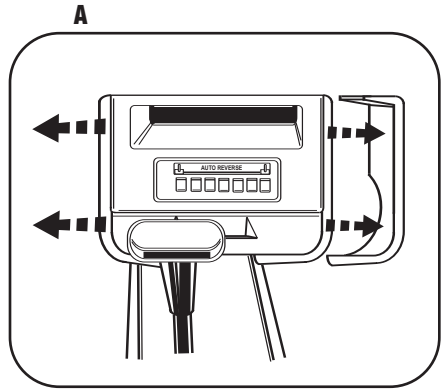
***Note:**

Refer also to the instructions included with the aftermarket radio.

PONTIAC SUNBIRD 1989-1994

- 1** Disconnect the negative battery terminal to prevent an accidental short circuit.
- 2** Unclip and remove the side trim panels from the cassette housing. (Figure A)
- 3** Unclip and remove the cassette deck trim panel. (Figure B)
- 4** Remove (2) screws securing the cassette deck from the sides. Unplug and remove cassette deck. (Figure C)

Continue to kit assembly.

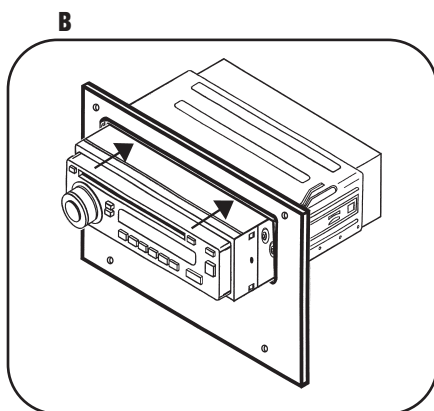
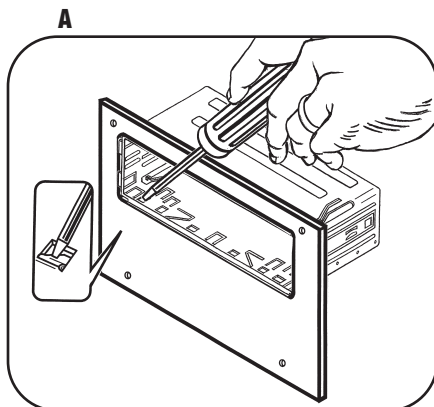


DIN RADIO PROVISION

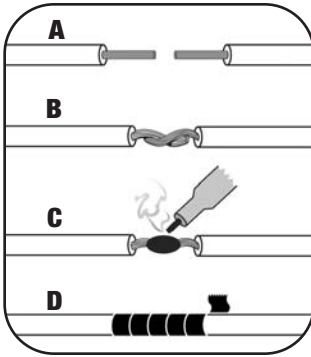
**Note: Refer also to the instructions included with the aftermarket radio.*

- 1 Slide the DIN cage into the Radio Housing and secure by bending the metal locking tabs outward. (Figure A)
- 2 Slide the aftermarket radio into the cage until it snaps into place. (Figure B)

Continue to final assembly.



FINAL ASSEMBLY



(A) Strip wire ends back 1/2"

(B) Twist ends together

(C) Solder

(D) Tape

- 1** Locate the factory wiring harness in the dash. Metra recommends using the proper mating adapter and making connections as shown. (Isolate and individually tape off the ends of any unused wires to prevent electrical short circuit.)
- 2** Re-connect the negative battery terminal and test the unit for proper operation.
- 3** Reassemble radio and dash assemblies in reverse order of disassembly.

FINAL WIRING CONNECTIONS

Make wiring connections using the EIA color code chart shown below and the instructions included with the head unit. Metra recommends making connections as shown below; Strip, Splice, Solder, Tape. Isolate and individually tape off ends of any unused wires to prevent electrical short circuit.

METRA / EIA WIRING CODE

12V Ignition / Acc. Red	Right Front (+) Gray
12V Batt / Memory. Yellow	Right Front (-). Gray/ Black
Ground. Black*	Left Front (+) White
Power Antenna. Blue	Left Front (-). White / Black
Amp Turn-On Blue / White	Right Rear (+) Violet
Amp Ground. Black / White	Right Rear (-). Violet / Black
Illumination Orange	Left Rear (+) Green
Dimmer Orange / White	Left Rear (-) Green / Black

***NOTE:** When a Black wire is not present, ground radio to vehicle chassis.

All colors may not be present on all leads due to manufacturer's specifications.

89-30-3310 INSTRUCTIONS



1-800-221-0932



www.metraonline.com

REV. 11/01/06 © COPYRIGHT 2004 METRA ELECTRONICS CORPORATION INST89-30-3310