



Buick Encore 2013-2016

KIT FEATURES

- ISO DDIN radio provision
- Painted to match the factory finish

KIT COMPONENTS

- A) Radio housing • B) Radio brackets

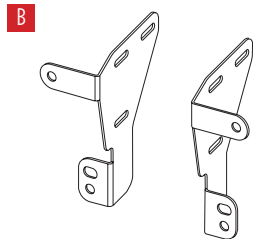
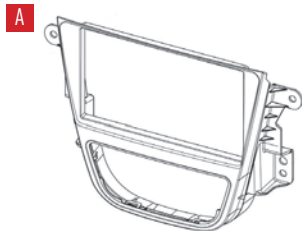


TABLE OF CONTENTS

Dash Disassembly	2
Kit Assembly	3

WIRING & ANTENNA CONNECTIONS (sold separately)

Wiring Harness: TBA

Antenna Adapter: 40-EU55

TOOLS REQUIRED

- Panel removal tool • Phillips screwdriver
- 9/32" Socket wrench

CAUTION! All accessories, switches, climate controls panels, and especially air bag indicator lights must be connected before cycling the ignition. Also, do not remove the factory radio with the key in the on position, or while the vehicle is running.

DASH DISASSEMBLY

1. Unclip, unplug and remove the dash panel surrounding the radio.
2. Remove (4) 9/32" screws securing the radio/climate control panel, then unplug and remove.
3. Remove (2) 9/32" screws securing the radio chassis, then unplug and remove.

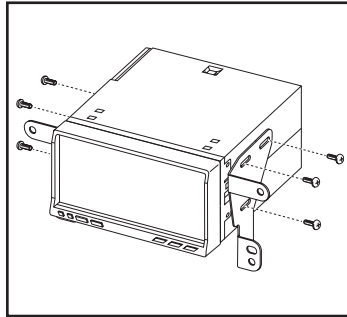
Continue to Kit Assembly

Please visit Metraonline.com for Dash Disassembly illustrations.

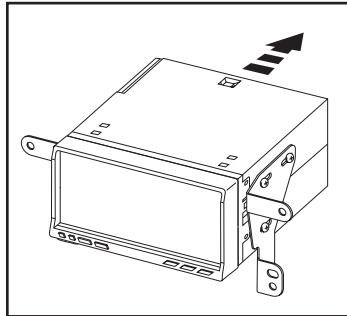
KIT ASSEMBLY

ISO DDIN radio provision

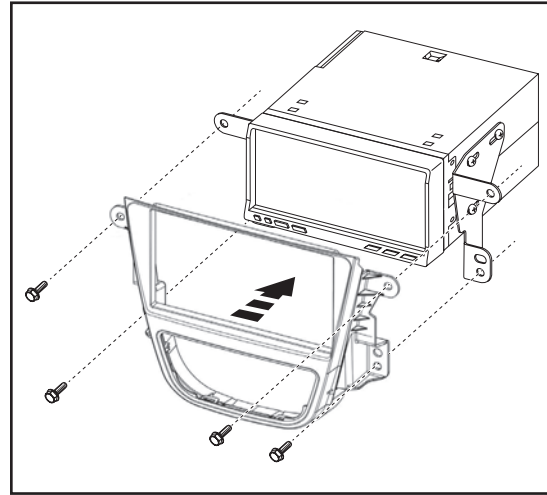
1. Attach the *radio brackets* to the radio using the screws supplied with the radio. (Figure A)
2. Locate the factory wiring harness and connector in the dash and complete all necessary connections to the radio. Metra recommends using the proper mating adapter from Metra and/or Axxess. Test the radio for proper operation.
3. Slide the radio/bracket assembly into the radio cavity in the sub dash. (Figure B)
4. Attach the *radio housing* using the factory screws. (Figure C)
5. Reassemble the dash in reverse order of disassembly.



(Figure A)



(Figure B)



(Figure C)



95-3025B
INSTALLATION INSTRUCTIONS



IMPORTANT

If you are having difficulties with the installation of this product, please call our Tech Support line at 1-800-253-TECH. Before doing so, look over the instructions a second time, and make sure the installation was performed exactly as the instructions are stated. Please have the vehicle apart and ready to perform troubleshooting steps before calling.



KNOWLEDGE IS POWER

Enhance your installation and fabrication skills by enrolling in the most recognized and respected mobile electronics school in our industry. Log onto www.installerinstitute.com or call 800-354-6782 for more information and take steps toward a better tomorrow.



**Metra recommends MECP
certified technicians**