



## Ford Mustang 1994-2000

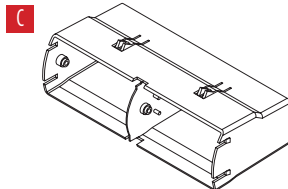
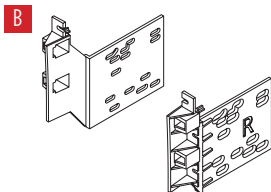
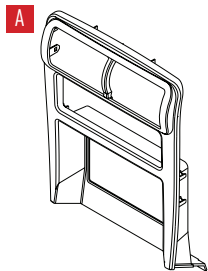
Visit [MetraOnline.com](http://MetraOnline.com) for more detailed information about the product and up-to-date vehicle specific applications

### KIT FEATURES

- ISO DDIN radio provision
- Painted matte black

### KIT COMPONENTS

- A) Radio trim panel • B) Radio brackets • C) Vent housing • D) (4) 1/2" screws • E) (4) Panel clips



### TABLE OF CONTENTS

Dash Disassembly .....	2
Kit Preparation .....	3
Kit Assembly .....	3

### WIRING & ANTENNA CONNECTIONS

Wiring Harness: 70-1770 • 70-5510\*  
(sold separately)

Antenna Adapter: Not required

\*Amplified models

### TOOLS REQUIRED

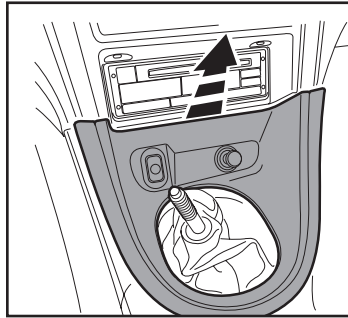
- 1/8" drill bit • Cutting tool
- Ford radio removal tools\* • Phillips screwdriver
- T-20 Torx screwdriver

\* Metra part number 86-5618

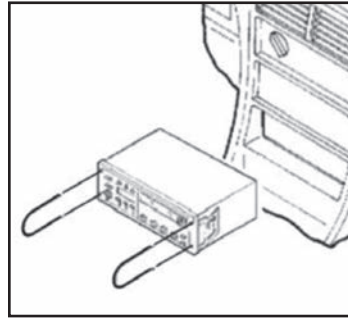
**Attention!** Let the vehicle sit with the key out of the ignition for a few minutes before removing the factory radio. When testing the aftermarket equipment, ensure that all factory equipment is connected before cycling the key to ignition.

## DASH DISASSEMBLY

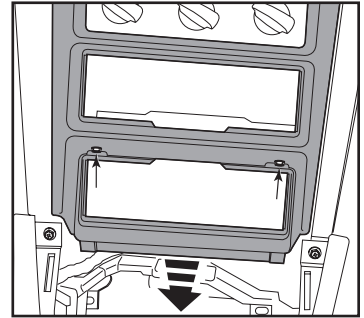
1. Unclip, unplug, and remove the trim panel surrounding the shifter. (Figure A)
2. Using Metra's 86-5618 radio removal tools (sold separately), release the radio from the dash. Slide the radio out, then unplug and remove the radio. If the vehicle is equipped with a CD player below, remove in the same manner. (Figure B)
3. Remove (2) screws securing the radio/ climate control trim panel, then unclip and remove the panel. Unclip and remove the a/c vents for re-use in **Kit Preparation**. (Figure C)



(Figure A)



(Figure B)



(Figure C)

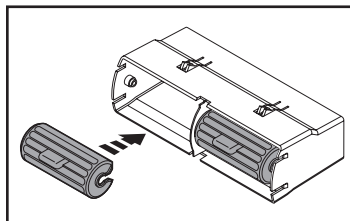
**Note:** The (2) screws will not be reused.

*Continue to Kit Preparation*

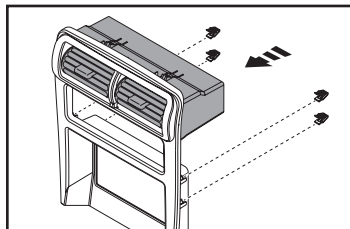
## KIT PREPARATION

### To the 95-5703B radio trim panel:

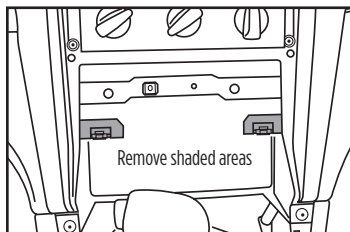
1. Attach the factory a/c vents removed in **Dash Disassembly** to the vent housing. (Figure A)
2. Attach the **vent housing**. (Figure B)
3. Attach the (4) **panel clips** provided. (Figure B)



(Figure A)



(Figure B)



(Figure C)

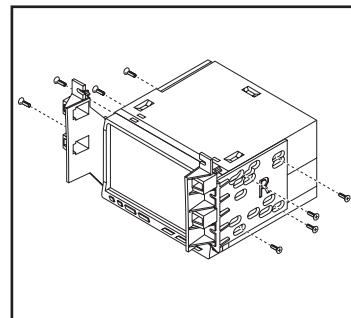
**Attention!** The factory trim panel will not be able to be reinstalled once the following step is performed.

4. Cut the sub-dash to allow room for the radio assembly. (Figure C)

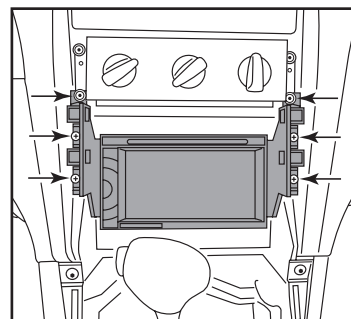
Continue to Kit Assembly

## KIT ASSEMBLY

1. Secure the **radio brackets** to the radio using the screws supplied with the radio. (Figure A)
2. Locate the factory wiring harness and antenna connector in the dash and complete all necessary connections to the radio. Metra recommends using the proper mating adapter from Metra. Test the radio for proper operation.
3. Remove (2) T-20 Torx screws securing the bottom of the climate control panel. Slide the radio assembly into the dash, then secure it using the climate control screws, and also the (4) **1/2" screws** provided. It would be best if the 1/2" screw holes were pre-drilled with a 1/8" drill bit to avoid the plastic from cracking. (Figure B)
4. Attach the **radio trim panel** assembly to the dash and radio brackets.
5. Clip the shifter trim panel back to the vehicle to complete the installation.



(Figure A)



(Figure B)



**95-5703B**  
INSTALLATION INSTRUCTIONS



If you are having difficulties with the installation of this product, contact our Tech Support line either by phone at **1-800-253-TECH**, or email at **techsupport@metra-autosound.com**. Before doing so, look over the instruction booklet a second time and ensure that the installation was performed exactly as the instruction booklet is stated. Have the vehicle apart and ready to perform troubleshooting steps before contacting Metra/Axxess Tech Support.



**KNOWLEDGE IS POWER**

Enhance your installation and fabrication skills by enrolling in the most recognized and respected mobile electronics school in our industry. Log onto [www.installerinstitute.com](http://www.installerinstitute.com) or call 800-354-6782 for more information and take steps toward a better tomorrow.



**Metra recommends MECP certified technicians**