



Jeep Compass Sport 2017.5-2018

Visit MetraOnline.com for more detailed information about the product and up-to-date vehicle specific applications

KIT FEATURES

- ISO DDIN radio provision
- Painted matte black

KIT COMPONENTS

- A) Radio trim panel • B) Radio brackets • C) (7) Panel clips

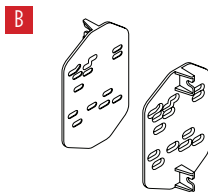
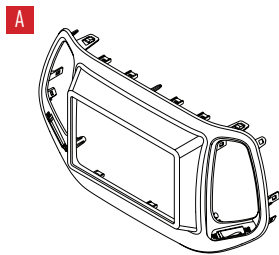


TABLE OF CONTENTS

Dash Disassembly	2
Kit Preparation	2
Kit Assembly	3

WIRING & ANTENNA CONNECTIONS (sold separately)

Wire harness: XSVI-6523-NAV

Antenna adapter: 40-EU10

Steering wheel control interface: ASWC-1

TOOLS REQUIRED

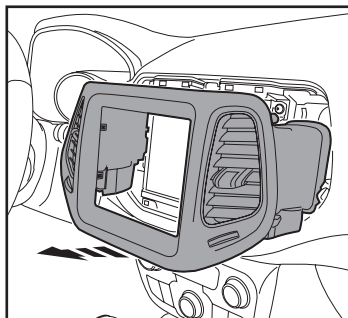
- Panel removal tool • Phillips screwdriver

Attention! Let the vehicle sit with the key out of the ignition for a few minutes before removing the factory radio. When testing the aftermarket equipment, ensure that all factory equipment is connected before cycling the key to ignition.

DASH DISASSEMBLY

1. Unclip and remove the a/c vent panel surrounding the radio. (Figure A)
2. Remove (4) 9/32" screws securing the radio, then unplug and remove the radio.

Continue to Kit Preparation

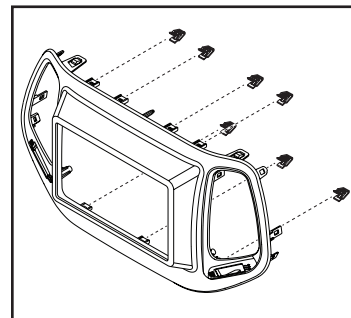


(Figure A)

KIT PREPARATION

1. Attach the (7) panel clips to the radio trim panel. (Figure A)

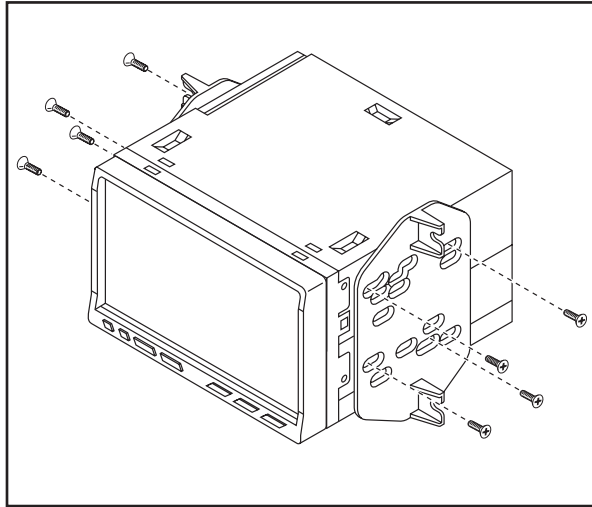
Continue to Kit Assembly



KIT ASSEMBLY

ISO DDIN radio provision

1. Attach the *radio brackets* to the radio using the screws supplied with the radio. (Figure A)
2. Locate the factory wiring harness and antenna connector in the dash and complete all necessary connections to the radio. Metra recommends using the proper mating adapter from Metra and/or Axxess.
3. Test the radio for proper operation.
4. Secure the radio assembly to the dash using the factory screws.
5. Snap the *radio trim panel* over the radio assembly to complete the installation.



(Figure A)



95-6545B
INSTALLATION INSTRUCTIONS



If you are having difficulties with the installation of this product, contact our Tech Support line either by phone at **386-257-1187**, or email at **techsupport@metra-autosound.com**. Before doing so, look over the instruction booklet a second time and ensure that the installation was performed exactly as the instruction booklet is stated. Have the vehicle apart and ready to perform troubleshooting steps before contacting Metra/Axxess Tech Support.



KNOWLEDGE IS POWER

Enhance your installation and fabrication skills by enrolling in the most recognized and respected mobile electronics school in our industry. Log onto www.installerinstitute.com or call 800-354-6782 for more information and take steps toward a better tomorrow.



Metra recommends MECP certified technicians