



INSTALLATION INSTRUCTIONS FOR PART 95-7330

APPLICATIONS

KIA Spectra/Spectra 5 2007-2008

95-7330



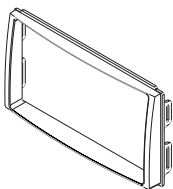
KIT FEATURES

- Double DIN radio provision
- Stacked ISO mount units provision

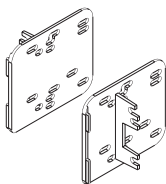
KIT COMPONENTS

A) Double DIN Trim Plate B) Double DIN Brackets

A



B



WIRING AND ANTENNA CONNECTIONS (Sold Separately)

Wiring Harness:
70-1004 Hyundai Kia harness
2004-up

Antenna Adapter:
Not Required

TOOLS REQUIRED:

Small Flat Blade Screwdriver/ Panel Removal Tool
Phillips Screwdriver



1-800-221-0932



www.metraonline.com

© COPYRIGHT 2004-2007 METRA ELECTRONICS CORPORATION



TABLE OF CONTENTS

Dash Disassembly

- KIA Spectra/Spectra 5 2007-20081

Kit Assembly

- Double DIN/stacked ISO mount units provision2

Final Assembly 3

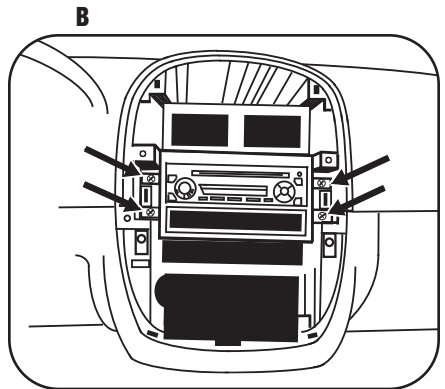
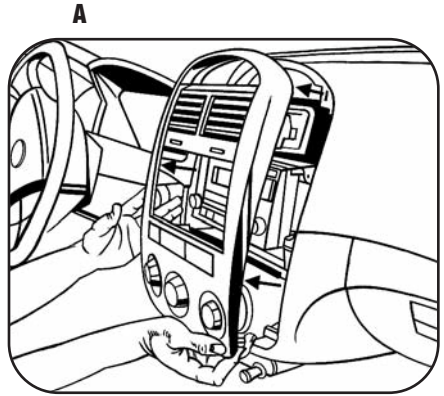
***Note:**

Refer also to the instructions included with the aftermarket radio.

KIA SPECTRA/SPECTRA 5 2007-2008

- 1** Disconnect the negative battery terminal to prevent an accidental short circuit.
- 2** Unclip and remove the trim panel surrounding the radio and including the a/c vents. (Figure A)
- 3** Remove (4) Phillips screws securing the radio. Unplug and remove radio. (Figure B)

Continue to kit assembly.

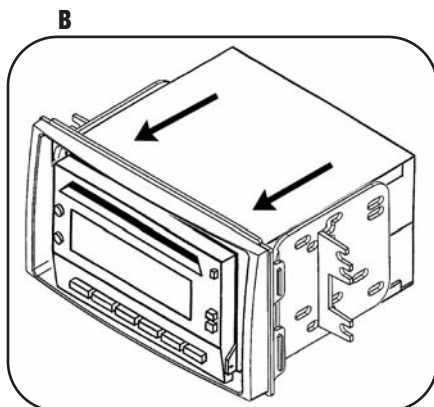
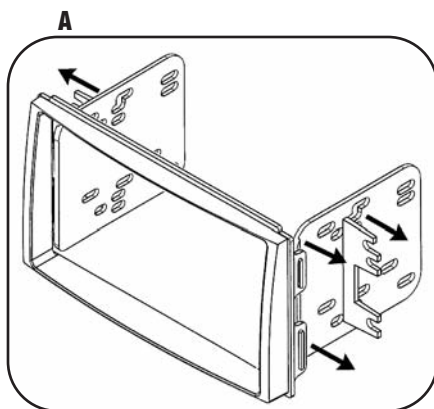


DOUBLE DIN RADIO PROVISION STACKED ISO MOUNT UNITS PROVISION

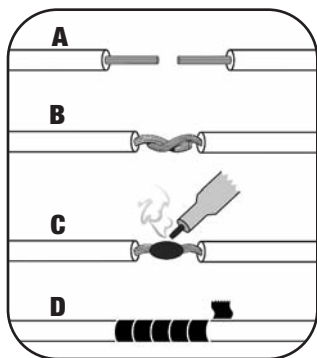
**Note: Refer also to the instructions included with the aftermarket radio.*

- 1 Snap the Double DIN brackets to the inside edge of the Double DIN trim plate. (Figure A)
- 2 Slide the Double DIN radio or the stacked ISO mount units into the bracket/trim plate assembly and secure the radio or ISO mount units to the assembly using the screws supplied with the radio or ISO mount units. (Figure B)

Continue to final assembly.



FINAL ASSEMBLY



- (A) Strip wire ends back 1/2"**
- B) Twist ends together**
- C) Solder**
- D) Tape**

- 1** Locate the factory wiring harness in the dash. Metra recommends using the proper mating adapter and making connections as shown. (Isolate and individually tape off the ends of any unused wires to prevent electrical short circuit.)
- 2** Re-connect the negative battery terminal and test the unit for proper operation.
- 3** Reassemble radio and dash assemblies in reverse order of disassembly.

FINAL WIRING CONNECTIONS

Make wiring connections using the EIA color code chart shown below and the instructions included with the head unit. Metra recommends making connections as shown below; Strip, Splice, Solder, Tape. Isolate and individually tape off ends of any unused wires to prevent electrical short circuit.

METRA / EIA WIRING CODE

12V Ignition / Acc.	Red	Right Front (+)	Gray
12V Batt / Memory.	Yellow	Right Front (-).	Gray/ Black
Ground.	Black*	Left Front (+)	White
Power Antenna.	Blue	Left Front (-).	White / Black
Amp Turn-On	Blue / White	Right Rear (+)	Violet
Amp Ground.	Black / White	Right Rear (-).	Violet / Black
Illumination	Orange	Left Rear (+)	Green
Dimmer	Orange / White	Left Rear (-)	Green / Black

***NOTE:** When a Black wire is not present, ground radio to vehicle chassis.

All colors may not be present on all leads due to manufacturer's specifications.



95-7330

NOTES

A series of horizontal lines for writing notes, starting below the "NOTES" header and extending to the bottom of the page.

95-7330 INSTRUCTIONS



1-800-221-0932



www.metraonline.com

REV. 06/21/11 © COPYRIGHT 2004-2007 METRA ELECTRONICS CORPORATION INST95-7330