



INSTALLATION INSTRUCTIONS FOR PART 95-7376B

Hyundai Elantra 2017-up 95-7376B

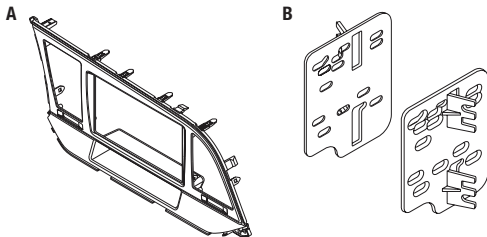
KIT FEATURES

- ISO DDIN radio provision
- *Painted matte black*



KIT COMPONENTS

- A) Radio trim panel • B) Radio brackets



WIRING & ANTENNA CONNECTIONS (sold separately)

- Wiring Harness: 70-7304 (without 7-inch display radio) • 70-7306 (with 7-inch display radio)
 Antenna Adapter: N/A (without 7-inch display radio) • 40-KI11 (with 7-inch display radio)

Table of Contents

Dash Disassembly	2
Kit Preparation	3
Kit Assembly	
– ISO DDIN radio provision	3

TOOLS REQUIRED

- Panel removal tool • Phillips screwdriver

CAUTION! All accessories, switches, climate controls panels, and especially air bag indicator lights must be connected before cycling the ignition. Also, do not remove the factory radio with the key in the on position, or while the vehicle is running.

Dash Disassembly

1. Open the passenger front door, then unclip and remove the trim panel from the side of dashboard. Remove the (1) Phillips screw securing the silver trim panel.
2. Unclip and remove the silver trim panel that runs along the dashboard from under the radio, and above the glovebox.
3. Open the driver's door, then unclip and remove the trim panel from the side of the dashboard. Remove the (1) Phillips screw securing the silver trim panel.
4. Unclip and remove the silver trim panel from under the driver's side A/C vent.
5. Unclip the trim panel above the steering column, and then unclip and remove the entire panel surrounding the instrument cluster. Note, these two panels are one assembly.
6. Remove the (2) Phillips screws securing the radio trim panel, then unclip and remove the panel.
7. Remove the (4) Phillips screws securing the radio and then remove.

Continue to Kit Assembly

Please visit Metraonline.com for dash disassembly illustrations.

Kit Preparation

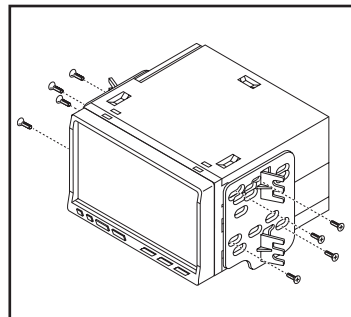
1. Remove the (3) Phillips screws securing the A/C vents to the radio trim panel and then remove.
2. Secure the vents onto the *radio trim panel* using the factory hardware.

Please visit Metraonline.com for kit preparation illustrations.

Kit Assembly

ISO DDIN radio provision

3. Attach the *radio brackets* to the radio using the screws supplied with the radio. (Figure A)
4. Locate the factory wiring harness and antenna connector in the dash and complete all necessary connections to the radio. Metra recommends using the proper mating adapter from Metra and/or AXCESS. Test the radio for proper operation.
5. Secure the assembly into the dash opening using the factory hardware.
6. Snap the *radio trim panel* over the radio assembly, and then reassemble the dash in reverse order of disassembly.



(Figure A)



INSTALLATION INSTRUCTIONS FOR PART 95-7376B



IMPORTANT

If you are having difficulties with the installation of this product, please call our Tech Support line at 1-800-253-TECH. Before doing so, look over the instructions a second time, and make sure the installation was performed exactly as the instructions are stated. Please have the vehicle apart and ready to perform troubleshooting steps before calling.



KNOWLEDGE IS POWER

Enhance your installation and fabrication skills by enrolling in the most recognized and respected mobile electronics school in our industry. Log onto www.installerinstitute.com or call 800-354-6782 for more information and take steps toward a better tomorrow.



Metra recommends MECP certified technicians

REV. 9/27/2016 INST95-7376B