



Nissan Kicks 2018-up

Visit MetraOnline.com for more detailed information about the product and up-to-date vehicle specific applications

KIT FEATURES

- ISO DDIN radio provision
- Painted matte black

KIT COMPONENTS

- A) Radio trim panel • B) Radio brackets

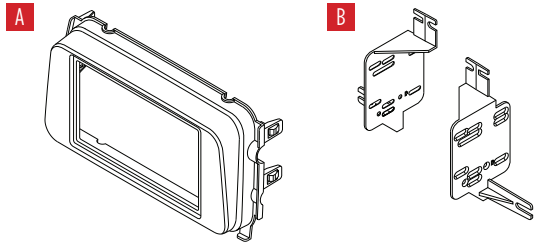


TABLE OF CONTENTS

Dash Disassembly	2-3
Kit Assembly	3

WIRING & ANTENNA CONNECTIONS (sold separately)

Wiring Harness: 70-7552

Antenna Adapter: 40-N112

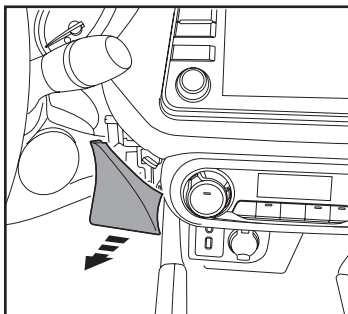
TOOLS REQUIRED

- Panel removal tool • Phillips screwdriver

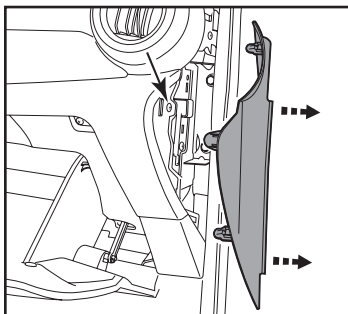
Attention! Let the vehicle sit with the key out of the ignition for a few minutes before removing the factory radio. When testing the aftermarket equipment, ensure that all factory equipment is connected before cycling the key to ignition.

DASH DISASSEMBLY

1. Unclip the driver's side panel to the right of the steering column. The panel only needs unclipped enough to remove the dash panel in the following steps. (Figure A)
2. Open the passenger door, then unclip and remove the panel on the side of the dash. Remove (1) Phillips screw exposed. (Figure B)



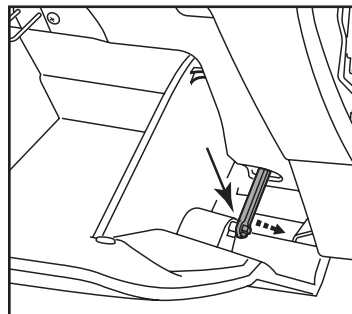
(Figure A)



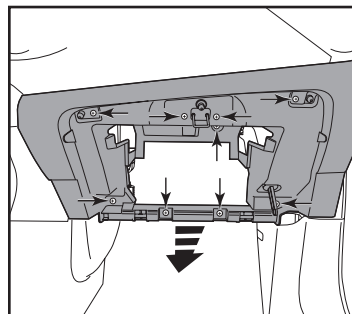
(Figure B)

3. Open the glove box, then unclip and remove the glove box. (Figure C)
4. Remove (9) Phillips screws in the glove box cavity, then remove the glove box housing. (Figure D)

Continued on the next page



(Figure C)

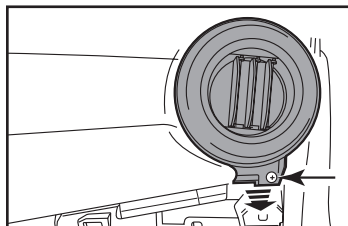


(Figure D)

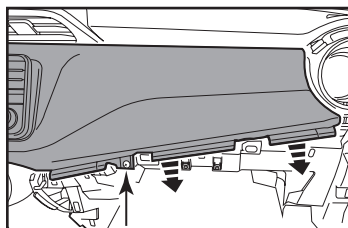
DASH DISASSEMBLY (CONT.)

5. Remove (1) Phillips screw securing the passenger side a/c vent, then remove the vent. (Figure E)
6. Remove (1) Phillips screw securing the dash panel above the glovebox, then unclip and remove the panel. (Figure F)
7. Remove (4) Phillips screws securing the radio. Slide the radio out then unclip and remove the radio. (Figure G)

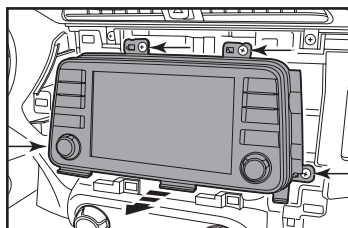
Continue to Kit Assembly



(Figure E)



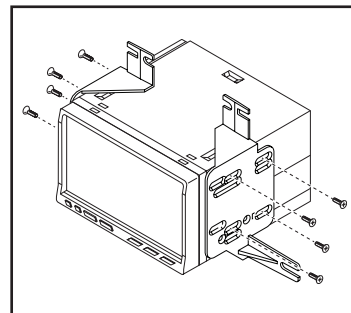
(Figure F)



(Figure G)

KIT ASSEMBLY

1. Secure the **radio brackets** to the radio using the screws supplied with the radio. (Figure A)
2. Locate the factory wiring harness and antenna connector in the dash and complete all necessary connections to the radio. Metra recommends using the proper mating adapter from Metra and/or Axxess. Test the radio for proper operation.
3. Secure the radio assembly to the dash using the factory screws.
4. Clip the radio trim panel to the dash.
5. Reassemble the dash in reverse order of disassembly to complete the installation.



(Figure A)



95-7636B
INSTALLATION INSTRUCTIONS



If you are having difficulties with the installation of this product, contact our Tech Support line either by phone at **1-800-253-TECH**, or email at **techsupport@metra-autosound.com**. Before doing so, look over the instruction booklet a second time and ensure that the installation was performed exactly as the instruction booklet is stated. Have the vehicle apart and ready to perform troubleshooting steps before contacting Metra/Axxess Tech Support.



KNOWLEDGE IS POWER

Enhance your installation and fabrication skills by enrolling in the most recognized and respected mobile electronics school in our industry. Log onto www.installerinstitute.com or call 800-354-6782 for more information and take steps toward a better tomorrow.



**Metra recommends MECP
certified technicians**