



## Nissan Altima 2019-Up

Visit [MetraOnline.com](http://MetraOnline.com) for more detailed information about the product and up-to-date vehicle specific applications

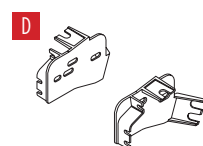
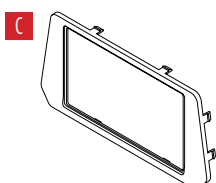
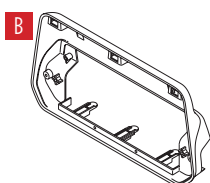
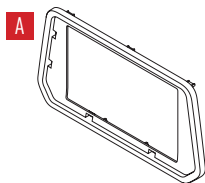
### KIT FEATURES

- ISO DDIN radio provision †
- Pioneer modular DDIN radio provision †
- Painted with a gloss black face, silver trim, and a textured housing.

† This kit can only be used with an ISO DDIN radio with an "L" shaped chassis design, with the radio chassis at the bottom of the screen. As of this writing, only the Alpine INE-W967HD (discontinued, replaced by INE-W977HD), iLX-107, and iLX-207 have this design. Also, The Pioneer modular radios, DMH-CZ500NEX and DMH-CZ500NEX, can also be used with the included adapter brackets.

### KIT COMPONENTS

- A) Radio housing (front) • B) Radio housing (rear) • C) Radio trim panel • D) Radio brackets • E) Pioneer adapter brackets
- F) #4 x 3/8" Phillips screws (4) • G) #6 x 3/8" Phillips screws (4) • H) Panel clips (3)



### TABLE OF CONTENTS

Dash Disassembly .....	2
Kit Assembly	
– ISO DDIN radio provision.....	3-4
– Pioneer modular DDIN radio provision.....	5-6

### WIRING & ANTENNA CONNECTIONS (sold separately)

Wiring Harness: 70-7552  
Antenna Adapter: 40-N12

### TOOLS REQUIRED

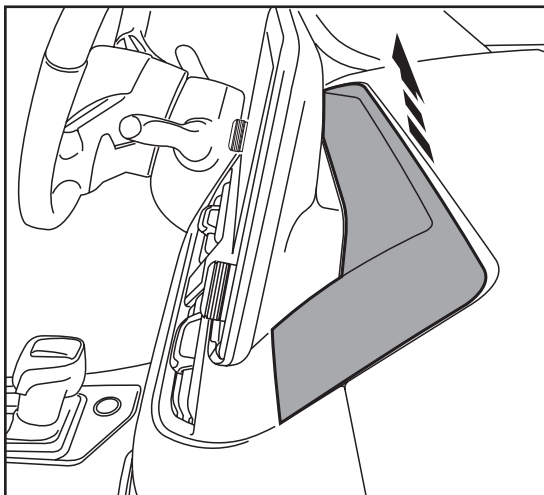
- Panel removal tool • Phillips screwdriver
- 10mm socket wrench

**Attention!** Let the vehicle sit with the key out of the ignition for a few minutes before removing the factory radio. When testing the aftermarket equipment, ensure that all factory equipment is connected before cycling the key to ignition.

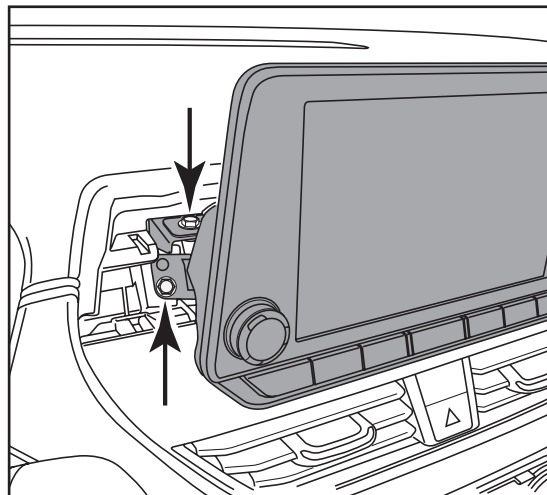
## DASH DISASSEMBLY

1. Unclip and remove the trim panel behind the radio. There are (4) clips securing this panel to the dash. Use caution as the front of the trim panel can easily be damaged. (Figure A)
2. Remove (4) 10mm screws securing the radio. Take note that the lower radio brackets are angled inward, hiding the bottom (2) screws from being easily seen. Slide the radio out, then unplug and remove the radio. (Figure B)

*Continue to Kit Assembly*



(Figure A)

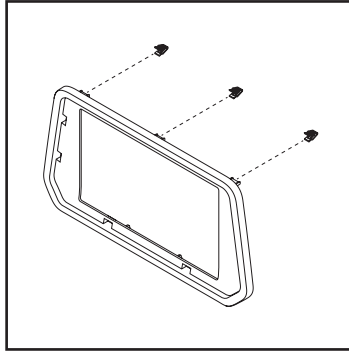


(Figure B)

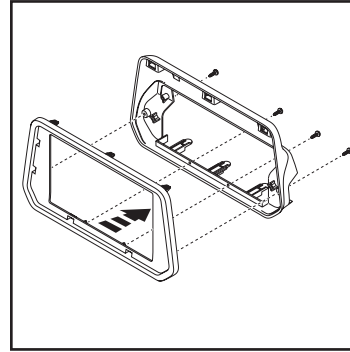
## KIT ASSEMBLY

### ISO DDIN radio provision

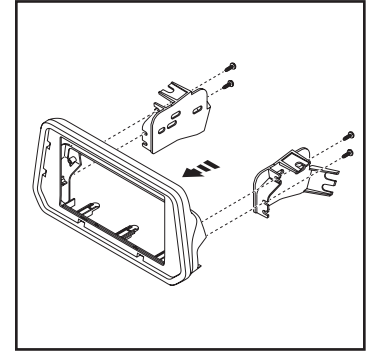
1. Attach (3) **panel clips** provided onto the radio housing (front). (Figure A)
2. Snap the **radio housing (front)** to the **radio housing (rear)**, then secure using (4) #4 x 3/8" Phillips screws provided (Figure B)
3. Secure the **radio brackets** to the **radio housing** using (4) #6 x 3/8" Phillips screws provided. (Figure C)



(Figure A)



(Figure B)

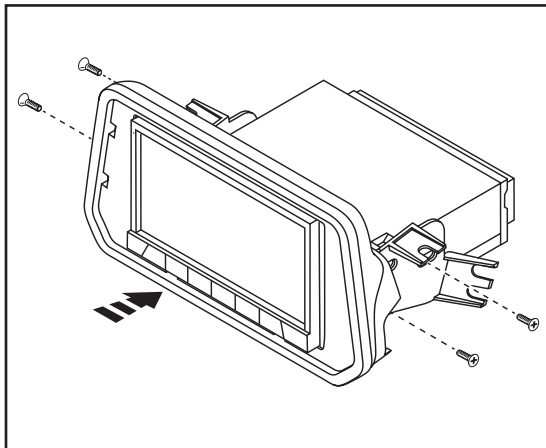


(Figure C)

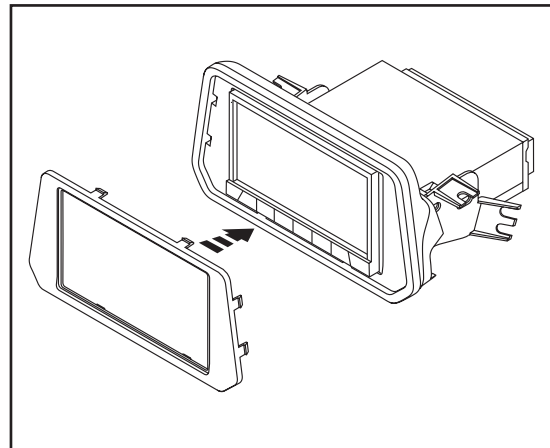
*Continued on the next page*

## KIT ASSEMBLY (CONT.)

- Slide the radio into the radio housing assembly through the front, then secure it to the assembly using screws supplied with the radio. (Figure D)
- Clip the **radio trim panel** onto the radio housing assembly. (Figure E)
- Locate the factory wiring harness and antenna connector in the dash and complete all necessary connections to the radio. Metra recommends using the proper mating adapter from Metra and/or Axxess. Test the radio for proper operation.
- Secure the radio assembly to the dash using the factory screws.
- Snap the factory trim panel to the dash to complete the installation.



(Figure D)



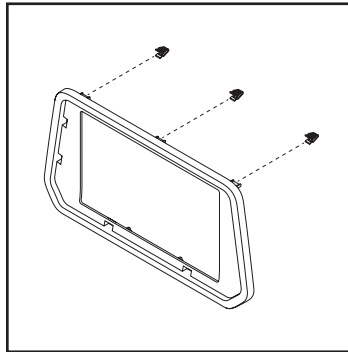
(Figure E)

# KIT ASSEMBLY

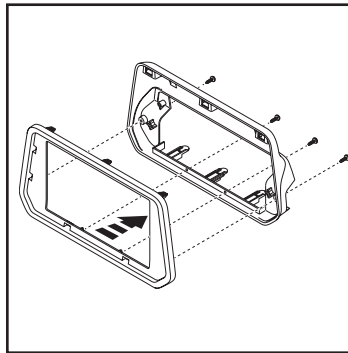
## Pioneer Modular DDIN radio provision

**Note:** For steps 4 and 5, reference the installation manual provided with the radio for which hardware to use. The display screen and radio chassis use two different types of screws.

1. Attach (3) **panel clips** provided onto the radio housing (front). (Figure A)
2. Snap the **radio housing (front)** to the **radio housing (rear)**, then secure using (4) #4 x 3/8" Phillips screws provided (Figure B)



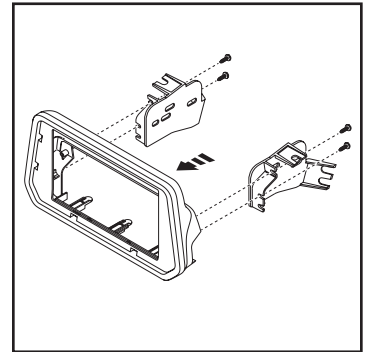
(Figure A)



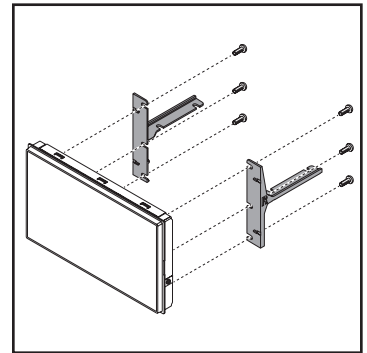
(Figure B)

3. Secure the **radio brackets** to the **radio housing** using (4) #6 x 3/8" Phillips screws provided. (Figure C)
4. Secure the radio display to the **Pioneer adapter brackets** using (6) screws supplied with the radio. (Figure D)

*Continued on the next page*



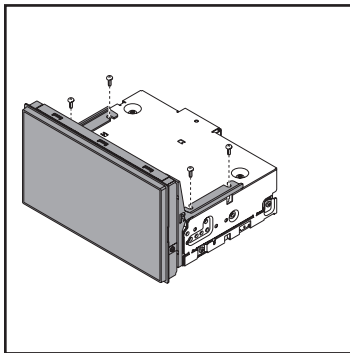
(Figure C)



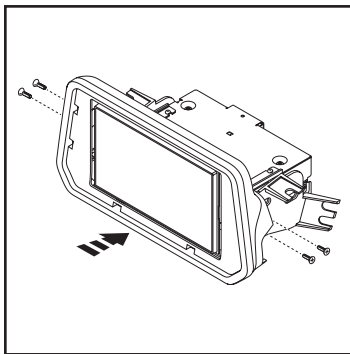
(Figure D)

## KIT ASSEMBLY (CONT.)

- Secure the display and bracket assembly to the radio chassis using (4) screws supplied with the radio. (Figure E)
- Slide the radio assembly into the radio housing assembly through the front, then secure it to the assembly using screws supplied with the radio. (Figure F)
- Clip the **radio trim panel** onto the radio housing assembly. (Figure G)

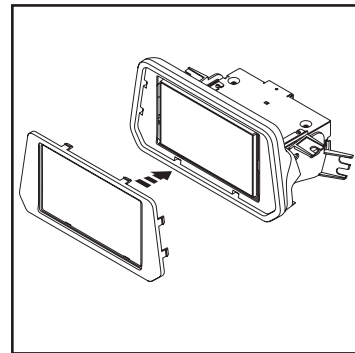


(Figure E)



(Figure F)

- Locate the factory wiring harness and antenna connector in the dash and complete all necessary connections to the radio. Metra recommends using the proper mating adapter from Metra and/or Axxess. Test the radio for proper operation.
- Secure the radio assembly to the dash using the factory screws.
- Snap the factory trim panel to the dash to complete the installation.



(Figure G)





**95-7637**  
INSTALLATION INSTRUCTIONS



If you are having difficulties with the installation of this product, contact our Tech Support line either by phone at **386-257-1187**, or email at **techsupport@metra-autosound.com**. Before doing so, look over the instruction booklet a second time and ensure that the installation was performed exactly as the instruction booklet is stated. Have the vehicle apart and ready to perform troubleshooting steps before contacting Metra/Axxess Tech Support.



**KNOWLEDGE IS POWER**

Enhance your installation and fabrication skills by enrolling in the most recognized and respected mobile electronics school in our industry. Log onto [www.installerinstitute.com](http://www.installerinstitute.com) or call 800-354-6782 for more information and take steps toward a better tomorrow.



**Metra recommends MECP certified technicians**