



Mercedes-Benz CL Class 2003-2006

KIT FEATURES

- ISO DDIN radio provision
- 95-8727B-Finished in black
- 95-8727W-Finished in wood

KIT COMPONENTS

- A) Radio trim panel • B) Radio brackets

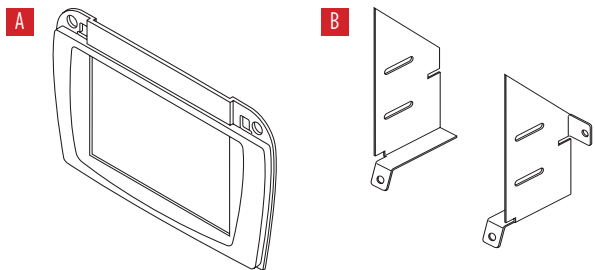


TABLE OF CONTENTS

| | |
|------------------------|---|
| Dash Disassembly | 2 |
| Kit Assembly | 3 |

WIRING & ANTENNA CONNECTIONS (sold separately)

Wiring Harness: TBA

Antenna Adapter: 40-VW12

TOOLS REQUIRED

- Panel removal tool • Phillips screwdriver
- Torx T20 screwdriver

CAUTION! All accessories, switches, climate controls panels, and especially air bag indicator lights must be connected before cycling the ignition. Also, do not remove the factory radio with the key in the on position, or while the vehicle is running.

DASH DISASSEMBLY

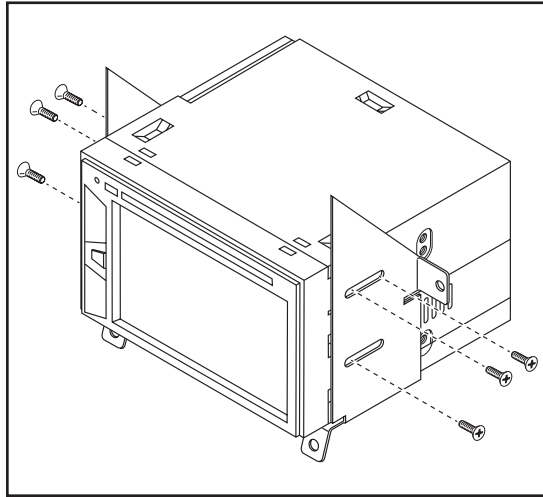
1. Open the center console door, then unclip the beauty trim from the front of the center console compartment.
2. Unclip and remove the lower trim from the front of the center console compartment, then remove (2) Torx T20 screws.
3. Turn the chrome trim from the bottom of the shifter slightly counterclockwise, then wiggle the shifter knob upwards to remove it.
4. Unclip, unplug, and remove the beauty trim surrounding the shifter.
5. Open the ashtray compartment door, then remove (2) Torx T20 screws securing the ashtray assembly.
6. Remove and unplug the ashtray assembly, then remove (2) Torx T20 screws securing the center console trim panel.
7. Pull the carpet back on the left and right side of the front of the center console, then remove just the (1) uppermost Phillips screw from each side.
8. Unclip, unplug, and remove the entire center console trim panel.
9. Remove (4) screws securing the radio to the center console trim panel, then remove.

Continue to Kit Assembly

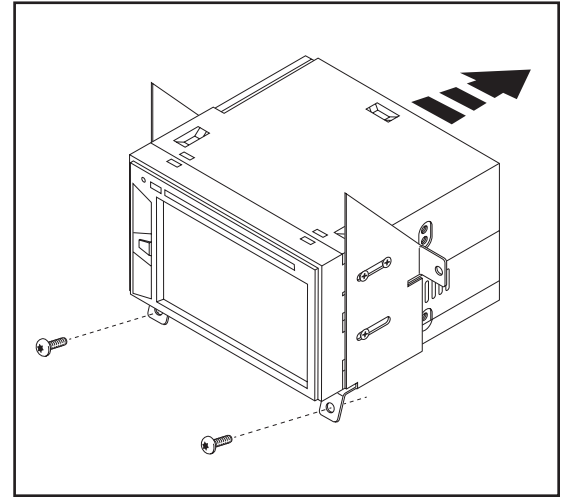
Please visit Metraonline.com for Dash Disassembly illustrations.

KIT ASSEMBLY

1. Secure the *radio brackets* to the radio using the screws provided with the radio. (Figure A)
2. Locate the factory wiring harness and antenna connection in the dash, and complete all necessary connections to the radio. Metra recommends using the proper mating adapter from Metra and/or Axxess. Test the radio for proper operation.
3. Secure the radio to the dash using the (2) factory screws, to just the lower tabs on the *radio brackets*. (Figure B)
4. Reassemble the dash in reverse order of disassembly to complete the installation.



(Figure A)



(Figure B)



95-8727
INSTALLATION INSTRUCTIONS



IMPORTANT

If you are having difficulties with the installation of this product, please call our Tech Support line at 1-800-253-TECH. Before doing so, look over the instructions a second time, and make sure the installation was performed exactly as the instructions are stated. Please have the vehicle apart and ready to perform troubleshooting steps before calling.



KNOWLEDGE IS POWER

Enhance your installation and fabrication skills by enrolling in the most recognized and respected mobile electronics school in our industry. Log onto www.installerinstitute.com or call 800-354-6782 for more information and take steps toward a better tomorrow.



**Metra recommends MECP
certified technicians**