



INSTALLATION INSTRUCTIONS FOR PART 95-89035

APPLICATIONS

Subaru Legacy & Outback 2010-up

(Non-navigation radios only)

95-89035

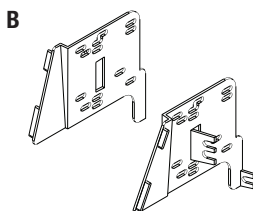
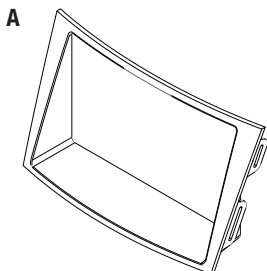
U.S. Patent # D638,832

KIT FEATURES

- DDIN radio provision
- Stacked ISO radio provision
- Painted silver

KIT COMPONENTS

- A) DDIN Trim plate
- B) DDIN Brackets



WIRING & ANTENNA CONNECTIONS (Sold Separately)

Wiring Harness:

- 70-8901 Subaru Harness 1990-Up
- 70-7552 Nissan Harness 2007-Up

Antenna Adapter:

- 40-SB10 Subaru Antenna Adapter 2005-Up

TOOLS REQUIRED

Panel Removal Tool • Phillips Screwdriver • Socket Wrench • Small Flat Blade Screwdriver



METRA. THE WORLD'S BEST KITS.™



1-800-221-0932



metraonline.com

© COPYRIGHT 2004-2011 METRA ELECTRONICS CORPORATION



95-89035

Table of Contents

Dash Disassembly

– 2010-up Subaru Legacy3

Kit Assembly

– Double DIN/Stacked ISO DIN Head Unit Provision 4

Caution

Metra recommends disconnecting the negative battery terminal before beginning any installation. All accessories, switches, and especially air bag indicator lights must be plugged in before reconnecting the battery or cycling the ignition.

**NOTE: Refer also to the instructions included with the aftermarket radio.*



KNOWLEDGE IS POWER

Enhance your installation and fabrication skills by enrolling in the most recognized and respected mobile electronics school in our industry. Log onto www.installerinstitute.com or call 800-354-6782 for more information and take steps toward a better tomorrow.

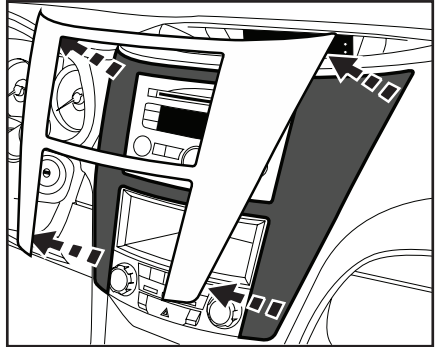


Metra recommends MECP certified technicians

Dash Disassembly

1. Disconnect the negative battery terminal to prevent an accidental short circuit.
2. Unclip and remove the radio trim panel including the a/c vents. (Figure A)
3. Remove (4) Phillips screws securing the factory radio.

Continued to kit assembly



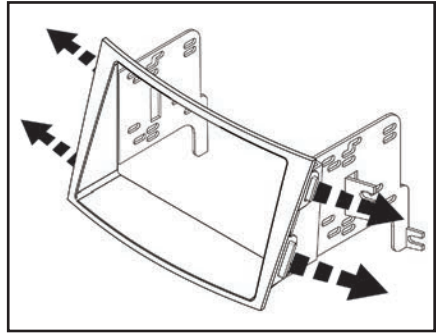
(Figure A)



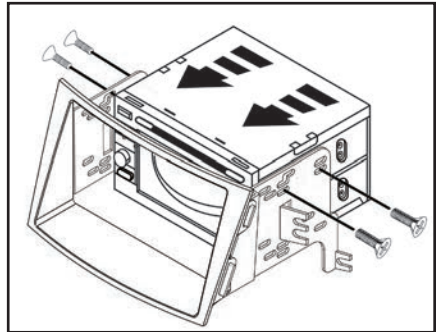
Kit Assembly 95-89035

Double DIN/Stacked ISO DIN head unit provisions

1. Locate the factory wiring harness in the dash. Metra recommends using the proper mating adapter from Metra or AXCESS. Re-connect the negative battery terminal and test the unit for proper operation.
2. Attach the Double DIN brackets to the Double DIN trim plate. (Figure A)
3. Slide the Double DIN head unit or stacked ISO head units into the bracket/ radio housing assembly and secure the Double DIN head unit or stacked ISO head units to the assembly using the screws supplied with the radio. (Figure B)
4. Reassemble dash in reverse order of disassembly.



(Figure A)



(Figure B)



INSTALLATION INSTRUCTIONS FOR PART 95-89035

REV. 11/21/17

METRA. THE WORLD'S BEST KITS.™



1-800-221-0932



metraonline.com

© COPYRIGHT 2004-2011 METRA ELECTRONICS CORPORATION