



BMW 1 Series (without NAV, with automatic climate control) 2008-2013

KIT FEATURES

- ISO DDIN radio provision
- Painted scratch resistant matte black to match the factory finish

KIT COMPONENTS

- A) Radio housing • B) Radio brackets • C) Switch panel cover • D) Ribbon cable

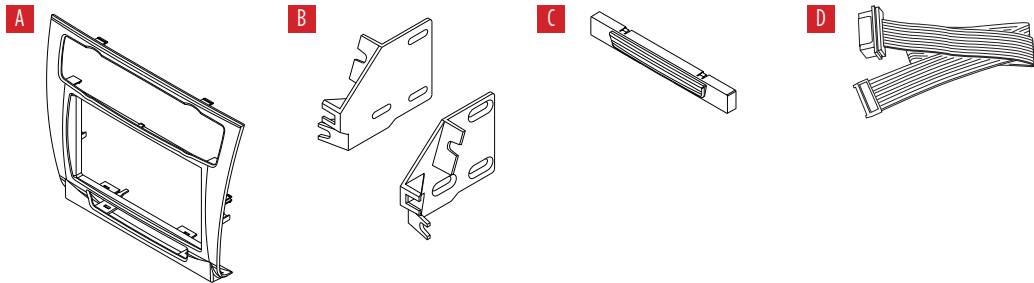


TABLE OF CONTENTS

Dash Disassembly	2
Kit Preparation	2-3
Kit Assembly	3

WIRING & ANTENNA CONNECTIONS (sold separately)

- Wiring Harness: LC-BMRC-01 (non-amplified models)
- Antenna Adapter: 40-EU10

TOOLS REQUIRED

- Panel removal tool • Phillips screwdriver
- Cutting tool

CAUTION! All accessories, switches, climate controls panels, and especially air bag indicator lights must be connected before cycling the ignition. Also, do not remove the factory radio with the key in the on position, or while the vehicle is running.

DASH DISASSEMBLY

1. Unclip and remove the dash trim panel above the radio and glove box.
2. Unclip the climate control panel, then unplug and remove.
3. Unclip the switch panel below the climate control panel (if equipped), then unplug and remove.
4. Unclip and remove the climate controls from the climate control panel.
5. Remove (2) screws securing the bottom of the radio, then unplug and remove the radio.

Please visit Metraonline.com for Dash Disassembly illustrations.

Continue to Kit Preparation

KIT PREPARATION

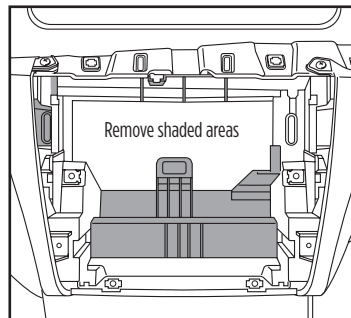
1. Using a cutting tool, remove the sections of sub-dash indicated to provide clearance for the radio and climate controls. (Figure A)

Note: *There may be other obstructions from allowing the radio to slide into the dash depending on the size of the radio. Carefully cut as needed, making sure not to cut anything structural.*

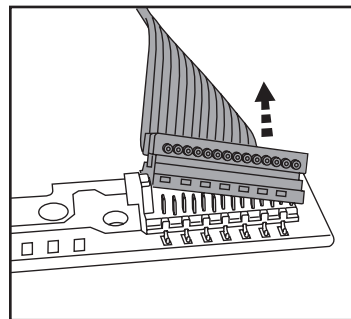
For models with a switch panel below the climate control.

2. Remove (5) screws securing the switch panel back plate, then remove the switch panel circuit board.
3. Unplug the ribbon cable from the circuit board. (Figure B)

Continued on the next page



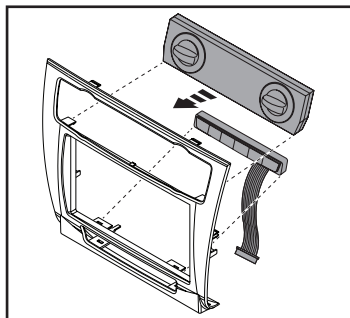
(Figure A)



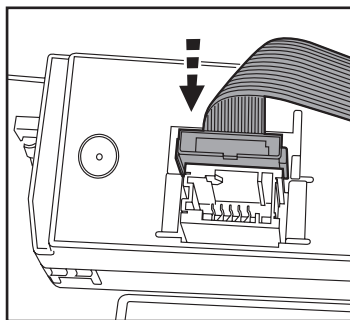
(Figure B)

KIT PREPARATION *(CONT.)*

4. Attach the **White** connector from the *ribbon cable* supplied with the kit to the circuit board.
5. Reinstall the circuit board back into the switch panel.
6. Clip the climate control panel, and switch panel, into the radio housing. (Figure C)
7. Attach the **Black** connector from the *ribbon cable* to the climate control panel. (Figure D)



(Figure C)



(Figure D)

For models without a switch panel below the climate control.

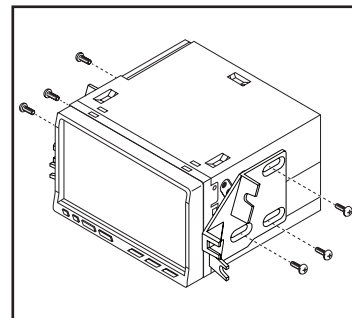
8. Clip the switch panel cover to the radio trim panel.
9. Disregard the ribbon cable, it will not be used in this application.

Continue to Kit Assembly

KIT ASSEMBLY

ISO DDIN radio provision

1. Attach the *radio brackets* to the radio using the screws supplied with the radio. (Figure A)
2. Locate the factory wiring harness and connector in the dash and complete all necessary connections to the radio. Metra recommends using the proper mating adapter from Metra and/or Axxess. Test the radio for proper operation.
3. Secure the completed assembly into the dash with the factory screws.
4. Reassemble the dash in reverse order of disassembly using *radio trim panel* assembly to complete the installation.



(Figure A)



95-9327B
INSTALLATION INSTRUCTIONS



If you are having difficulties with the installation of this product, contact our Tech Support line either by phone at **386-257-1187**, or email at **techsupport@metra-autosound.com**. Before doing so, look over the instruction booklet a second time and ensure that the installation was performed exactly as the instruction booklet is stated. Have the vehicle apart and ready to perform troubleshooting steps before contacting Metra/Axxess Tech Support.



KNOWLEDGE IS POWER

Enhance your installation and fabrication skills by enrolling in the most recognized and respected mobile electronics school in our industry. Log onto www.installerinstitute.com or call 800-354-6782 for more information and take steps toward a better tomorrow.



Metra recommends MECP certified technicians