



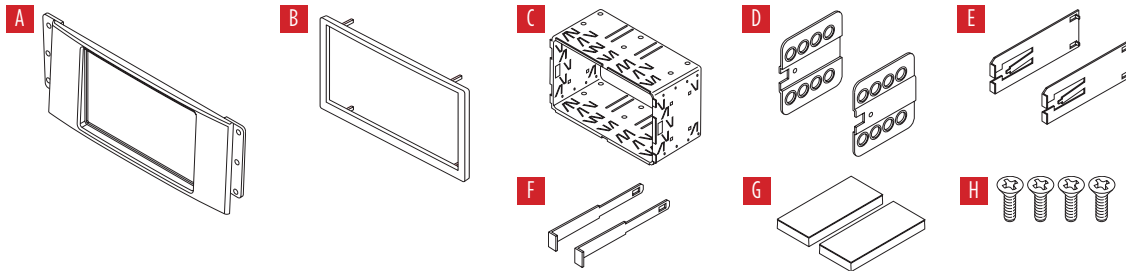
Land Rover:  
**LR2 2008-2012**  
**LR3 2005-2009**  
**Range Rover Sport 2006-2009**

### KIT FEATURES

- ISO DDIN radio provision
- Painted to match the factory finish

### KIT COMPONENTS

- A) Radio housing • B) Radio trim ring • C) ISO DDIN sleeve • D) ISO DDIN brackets • E) Spacers • F) Removal keys • G) (2) Foam cushions • G) (4) Phillips screws



### TABLE OF CONTENTS

|                        |   |
|------------------------|---|
| Dash Disassembly ..... | 2 |
| Kit Preparation .....  | 2 |
| Kit Assembly .....     | 3 |

### WIRING & ANTENNA CONNECTIONS (sold separately)

Wiring Harness: See [metraonline.com](http://metraonline.com) for wiring harness options

Antenna Adapter: 40-EU10

### TOOLS REQUIRED

- Panel removal tool • Phillips screwdriver

**CAUTION!** All accessories, switches, climate controls panels, and especially air bag indicator lights must be connected before cycling the ignition. Also, do not remove the factory radio with the key in the on position, or while the vehicle is running.

## DASH DISASSEMBLY

1. Unclip and remove the dash panel surrounding the radio.
2. Remove (4) screws securing the radio.
3. Pull up on the shifter knob to remove it.
4. Unclip, unplug and remove the center console panel.
5. Remove the (2) screws securing the climate control panel.
6. Unclip and remove the A/C vent panel.
7. Pull the radio and the climate controls out slightly. The climate control does not need to be completely removed.
8. Unclip and remove the radio.

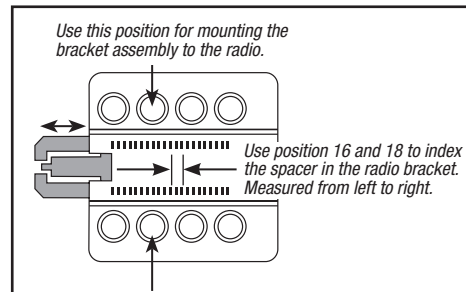
Please visit [Metraonline.com](http://Metraonline.com) for Dash Disassembly illustrations.

*Continue to Kit Preparation*

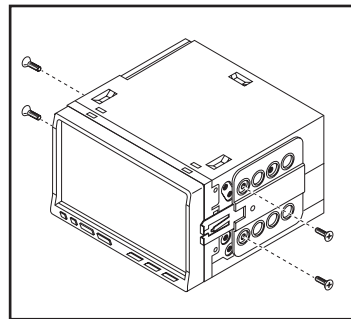
## KIT PREPARATION

1. Assemble the spacers to the ISO DDIN brackets. It is recommended to use the positions indicated. Other positions are also possible. (Figure A)
2. Attach the ISO DDIN bracket assembly to the radio using the (4) Phillips screws provided. (Figure B)

*Continue to Kit Assembly*



(Figure A)

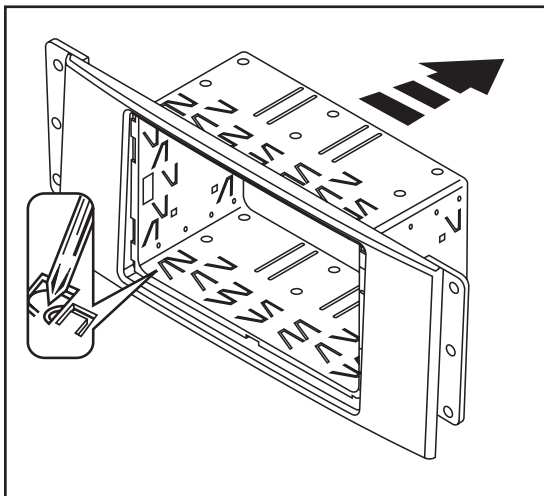


(Figure B)

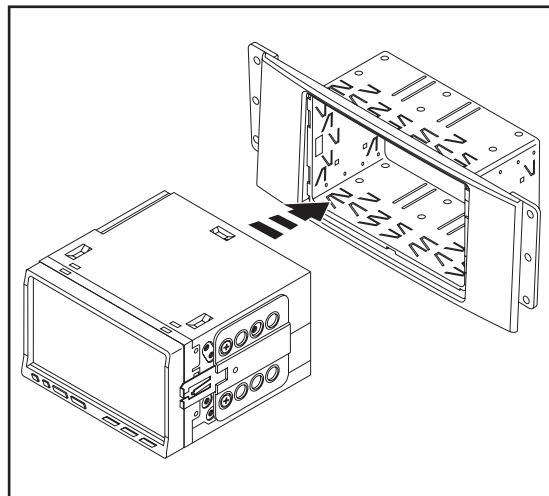
## KIT ASSEMBLY

### ISO DDIN radio provision

1. Slide the *ISO DDIN sleeve* into the *radio housing*, then secure by bending the metal locking tabs outward (Figure A)
2. Slide the ISO DDIN sleeve/radio housing assembly into the radio cavity in the sub dash. (Figure A)
3. Locate the factory wiring harness and antenna connector in the dash and complete all necessary connections to the radio. Metra recommends using the proper mating adapter from Metra and/or Axxess. Test the radio for proper operation.
4. Slide the radio/bracket assembly into the sleeve until it clicks in. (Figure B)
5. Reassemble the dash in reverse order of disassembly.
6. Snap the *radio trim ring* onto the *radio trim panel* to complete the installation.



(Figure A)



(Figure B)



# 95-9404B

INSTALLATION INSTRUCTIONS



### IMPORTANT

*If you are having difficulties with the installation of this product, please call our Tech Support line at 1-800-253-TECH. Before doing so, look over the instructions a second time, and make sure the installation was performed exactly as the instructions are stated. Please have the vehicle apart and ready to perform troubleshooting steps before calling.*



### KNOWLEDGE IS POWER

Enhance your installation and fabrication skills by enrolling in the most recognized and respected mobile electronics school in our industry. Log onto [www.installerinstitute.com](http://www.installerinstitute.com) or call 800-354-6782 for more information and take steps toward a better tomorrow.



**Metra recommends MECP certified technicians**