



Chevrolet Sonic 2012-2016

KIT FEATURES

- ISO DIN radio provision with pocket
- ISO DDIN radio provision
- Painted gray to match the factory finish

KIT COMPONENTS

- A) Radio trim panel • B) Radio brackets • C) Pocket • D) (4) #8 x 3/8" Phillips screws • E) (4) Panel clips • F) Axxess interface and wiring harness (not shown)

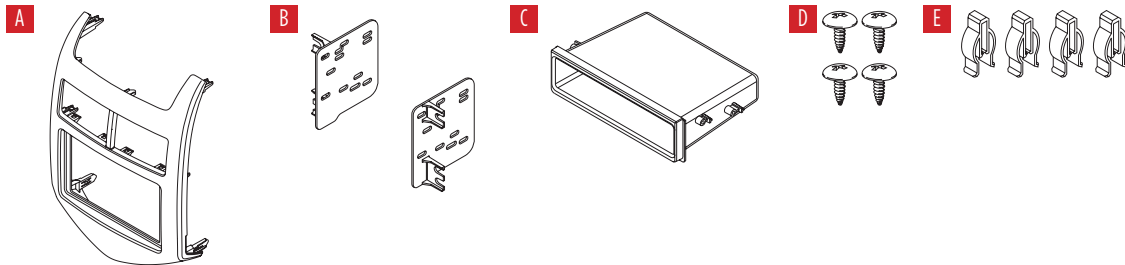


TABLE OF CONTENTS

Dash Disassembly.....	2
Kit Preparation.....	2
Kit Assembly	
–ISO DIN radio provision with pocket.....	3
–ISO DDIN radio provision.....	3
Axxess Interface Installation.....	4

WIRING & ANTENNA CONNECTIONS

- Wiring Harness: Axxess interface included
- Antenna Adapter: 40-EU55 (sold sep.)
- Steering wheel control interface: ASWC-1 (sold sep.)

TOOLS REQUIRED

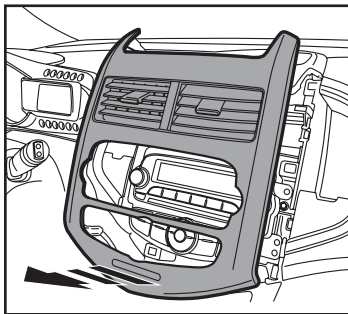
- Panel removal tool • Phillips screwdriver
- 9/32" socket wrench

CAUTION! All accessories, switches, climate controls panels, and especially air bag indicator lights must be connected before cycling the ignition. Also, do not remove the factory radio with the key in the on position, or while the vehicle is running.

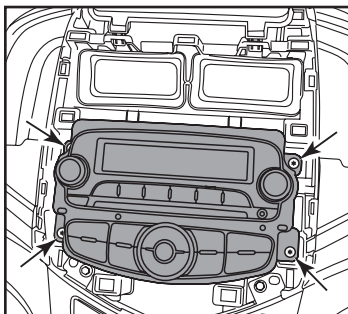
DASH DISASSEMBLY

1. Unclip and remove the panel surrounding the radio/climate controls. (Figure A)
2. Remove (4) 9/32" screws securing the radio. Slide the radio out, then unplug and remove the radio. (Figure B)

Continue to kit preparation



(Figure A)

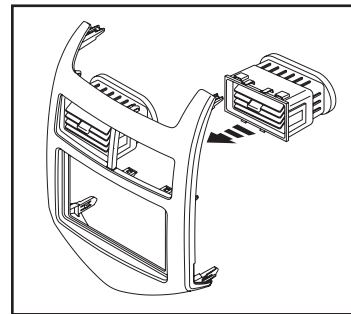


(Figure B)

KIT PREPARATION

1. Unclip the A/C vents from the factory radio/climate control panel. (Figure A)
2. Clip the vents into the 99-3012G radio trim panel. (Figure A)
3. Attach the (4) *panel clips* supplied onto the panel.

Continue to kit assembly



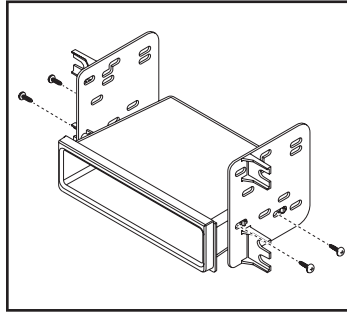
(Figure A)

KIT ASSEMBLY

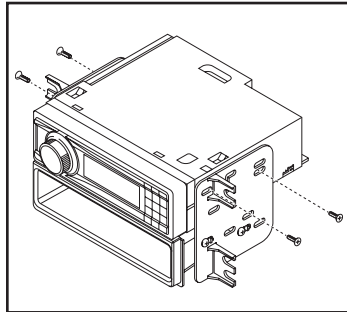
ISO DIN radio provision with pocket

1. Secure the *radio brackets* to the *pocket* using the (4) #8 x 3/8" screws provided. (Figure A)
2. Remove the metal DIN sleeve and trim ring from the aftermarket radio.
3. Slide the radio into the bracket/pocket assembly, then secure it using the screws supplied with the radio. (Figure B)

Continue to Axxess Interface Installation



(Figure A)

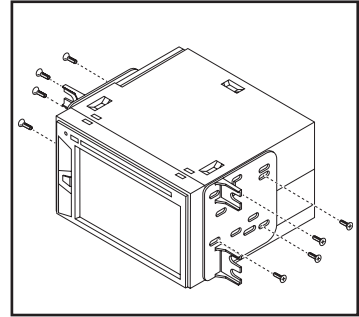


(Figure B)

ISO DDIN radio provision

1. Attach the *radio brackets* to the radio using the screws supplied with the radio. (Figure A)

Continue to Axxess Interface Installation



(Figure A)

AXXESS INTERFACE INSTALLATION

INTERFACE FEATURES

- Provides accessory power (12-volt 10-amp)
- Maintains the Retained Accessory Power (R.A.P.) feature
- Provides NAV outputs (parking brake, reverse, speed sense)
- Retains warning chimes
- Retains OnStar/OE Bluetooth
- Adjustable volume for chimes and OnStar
- Retains the factory AUX-IN jack
- Pre-wired ASWC-1 harness (ASWC-1 sold separately)
- Retains balance and fade
- Micro “B” USB updatable

INTERFACE COMPONENTS

- Axxess interface
- 3012 harness
- 16-pin harness with stripped leads

TABLE OF CONTENTS

Connections to be made	5-6
Installing the Axxess interface	6
Programming the Axxess interface	6-7
Adjusting the Axxess interface.....	7
Final assembly	7
Troubleshooting.....	7

TOOLS REQUIRED

- Crimping tool and connectors, or solder gun, solder, and heat shrink
- Small flat blade screwdriver • Tape • Wire cutter • Zip ties

CONNECTIONS TO BE MADE

From the 16-pin harness with stripped leads to the aftermarket radio:

- Connect the **Red** wire to the accessory wire.
Note: If installing either an ASWC-1 or AX-LCD (both sold separately), connect the (2) **Red** wires from the 3012 harness as well.
- If the aftermarket radio has an illumination wire, connect the **Orange/White** wire to it.
- If the aftermarket radio has a mute wire, connect the **Brown** wire to it. If the mute wire is not connected, the radio will turn off when OnStar is activated.
- Connect the **Gray** wire to the right front positive speaker output.
- Connect the **Gray/Black** wire to the right front negative speaker output.
- Connect the **White** wire to the left front positive speaker output.
- Connect the **White/Black** wire to the left front negative speaker output.

The following (3) wires are only for multimedia/navigation radios that require these wires.

- Connect the **Blue/Pink** wire to the VSS/speed sense wire.
- Connect the **Green/Purple** wire to the reverse wire.
- Connect the **Light Green** wire to the parking brake wire.
- Tape off and disregard the following (5) wires, they will not be used in this application:
Blue/White, Purple, Purple/Black, Green, Green/Black

From the 3012 harness to the aftermarket radio:

- Connect the **Black** wire to the ground wire.
- Connect the **Yellow** wire to the battery wire.
- If installing either an ASWC-1 or AX-LCD (both sold separately), connect the (2) **Red** wires to accessory power.
- Cut off and remove the resistors from the **Green, Green/Black, Purple, and Purple/Black** wires below the heat shrink.
- Connect the **Green** wire to the left rear positive speaker output.
- Connect the **Green/Black** wire to the left rear negative speaker output.
- Connect the **Purple** wire to the right rear positive speaker output.
- Connect the **Purple/Black** wire to the right rear negative speaker output.
- Ensure the (2) 4-pin Molex connectors are connected together.
- The **Black/Yellow** wire is used for OnStar level adjustment for models that do not come equipped with steering wheel controls. Refer to the OnStar level Adjustment section for further instructions.
- Tape off and disregard the **Pink** wire with a red bullet connector, it will not be used in this application.

Continued on the next page

CONNECTIONS TO BE MADE *(CONT.)*

- If retaining the factory AUX-IN jack is desired, connect the **Red** and **White** RCA jacks to the audio AUX-IN jacks from the aftermarket radio.

Note:

- a) The jack can only be used if it is a single jack.
- b) If the jack has a USB port as well, neither can be retained.

Note: The relay attached to the 3012 harness is only for audible turn signal clicks. No extra steps are required to retain this feature, so leave the relay as-is.

12-pin pre-wired ASWC-1 harness:

This harness is to be used along with the optional ASWC-1 (sold separately) to retain steering wheel audio controls. If the ASWC-1 is not being used, disregard this harness. If the ASWC-1 will be used, please refer to the ASWC-1 instructions for radio connections and programming. Disregard the harness that comes with the ASWC-1.

DIN jack:

The DIN jack is to be used with the optional AX-LCD (sold separately) to retain the personalization menu.

INSTALLING THE INTERFACE

With the key in the off position:

1. Connect the *16-pin harness with stripped leads*, and the 3012 harness, into the Axxess interface.
2. Locate the factory antenna connector in the dash and complete all necessary connections to the radio. Metra recommends using the proper antenna adapter from Metra.
3. If an ASWC-1 (sold separately) will be used, do not connect it until the 99-3012G is programmed and fully functional.

Attention! Do not connect the 3012 harness to the wiring harness in the vehicle just yet.

PROGRAMMING THE INTERFACE

For the steps below, the L.E.D. located inside the interface can only be seen while active. The interface does not need to be opened to see the L.E.D.

1. Start the vehicle.
2. Connect the 3012 harness to the wiring harness in the vehicle. The L.E.D. will initially be solid **Green** to indicate the interface is powered.
3. After a few seconds the L.E.D. will turn solid **Red** while the interface automatically programs to the vehicle. The radio will shut off at this point. This process should take 5 to 30 seconds.

Continued on the next page

PROGRAMMING THE INTERFACE (CONT.)

- Once the interface has been programmed the L.E.D. will turn solid **Green**, then the radio will come back on, indicating programming was successful.
- Test all functions of the installation for proper operation, before reassembling the dash.
- If the interface fails to function, refer to “Troubleshooting”, “Resetting the Axxess interface”.

Note: The L.E.D. will turn on solid **Green** for a moment, and then turn off under normal operation after the key has been cycled.

ADJUSTING THE INTERFACE

Chime level adjustment:

- With the vehicle on, turn it off and leave the keys in ignition. Open the driver’s door; chimes will be heard.
- Wait 10 seconds, and then with a small flat-blade screwdriver, turn the potentiometer clockwise to raise the chime level; counterclockwise to lower the chime level.
- When the chime is at a desired level, remove the keys from the ignition. This will lock the chime volume at its current level.

OnStar level adjustment:

- Press the OnStar button to activate it.
- While OnStar is speaking, press the VOLUME-UP or VOLUME-DOWN button on the steering wheel to raise or lower the OnStar level.

ADJUSTING THE INTERFACE (CONT.)

- If the vehicle doesn’t come equipped with steering wheel controls, locate the **Black/Yellow** wire on the 3012 harness.
- While OnStar is speaking, tap the **Black/Yellow** wire to ground. Once the OnStar level is set, it will stay at that level until the **Black/Yellow** wire is tapped to ground again.

FINAL ASSEMBLY

- Secure the radio assembly to the dash using the factory screws.
- Reassemble the dash in reverse order of disassembly using the 99-3012G *radio trim panel* to complete the installation.

TROUBLESHOOTING

Resetting the Axxess interface

- The **Blue** reset button is located inside the Axxess interface, between the two connectors. The button is accessible outside the Axxess interface, no need to open the Axxess interface.
- Press and hold the reset button for two seconds, then let go to reset the Axxess interface.
- Refer to “Programming the Axxess Interface” from this point.



99-3012G
INSTALLATION INSTRUCTIONS



IMPORTANT

If you are having difficulties with the installation of this product, please call our Tech Support line at 1-800-253-TECH. Before doing so, look over the instructions a second time, and make sure the installation was performed exactly as the instructions are stated. Please have the vehicle apart and ready to perform troubleshooting steps before calling.



KNOWLEDGE IS POWER

Enhance your installation and fabrication skills by enrolling in the most recognized and respected mobile electronics school in our industry. Log onto www.installerinstitute.com or call 800-354-6782 for more information and take steps toward a better tomorrow.



**Metra recommends MECP
certified technicians**