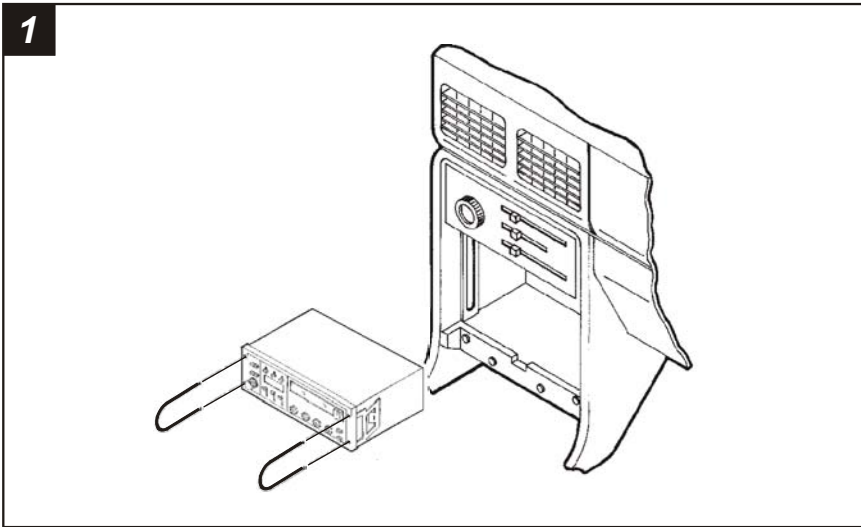


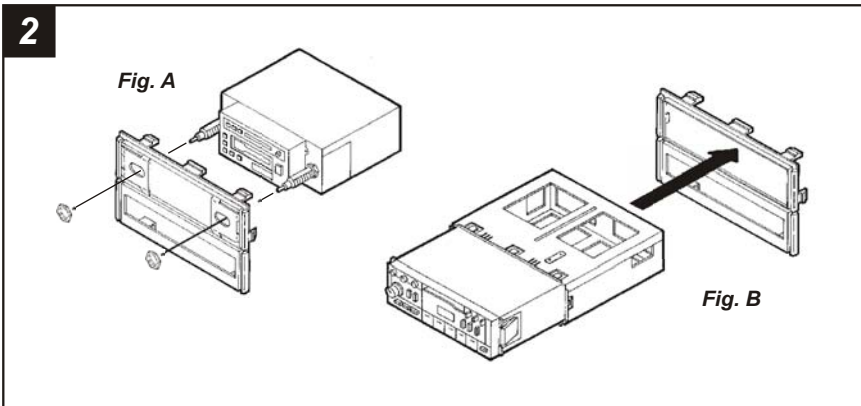
## ALL VEHICLES

1



Disconnect the negative battery terminal to prevent an accidental short circuit. Remove the ashtray. Unclip the gear shifter trim. Remove the ashtray housing and disconnect the wiring. Remove (2) Phillips screws below the factory pocket and remove the pocket. Using Metra's **86-5618**, pull the factory head unit from the dash and disconnect the wiring.

2

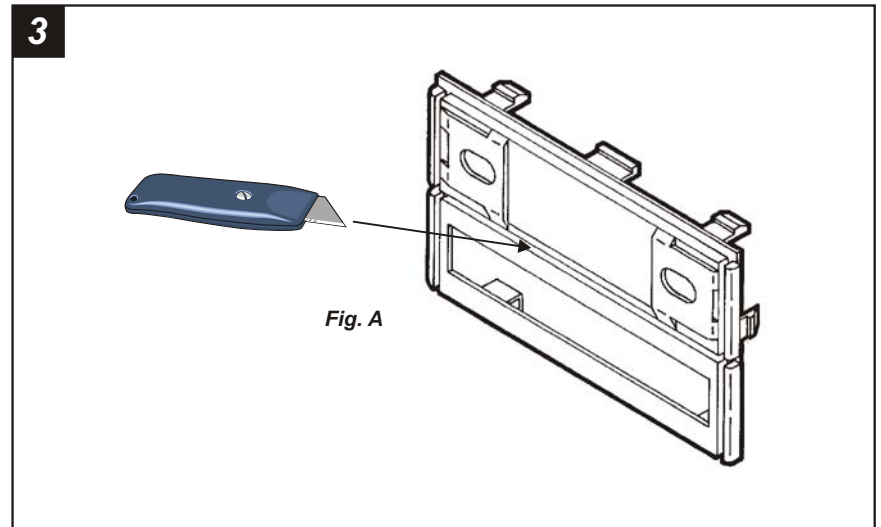


**2-SHAFT HEAD UNITS:** Slide the aftermarket head unit into the kit and secure with shaft nuts. (see Fig. A)

**DIN HEAD UNITS:** Cut and remove the shaft supports from the **Radio Housing**. Slide the DIN cage into the Housing and secure by bending the metal locking tabs down. Slide the aftermarket head unit into the cage until secure. (see Fig. B)

(If an equalizer will be included, slide the unit into the back of the **Radio Housing** and secure. If an equalizer will NOT be included, snap the **Equalizer Dummy Plate** into the opening).

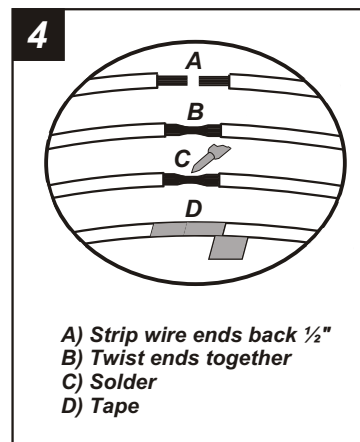
3



**IF KEEPING THE FACTORY POCKET IS DESIRED:** Using the scored line as a guide, cut and remove the bottom portion of the **Radio Housing**. (see Fig. A)

**IF KEEPING THE FACTORY POCKET IS NOT DESIRED:** Skip to step #4.

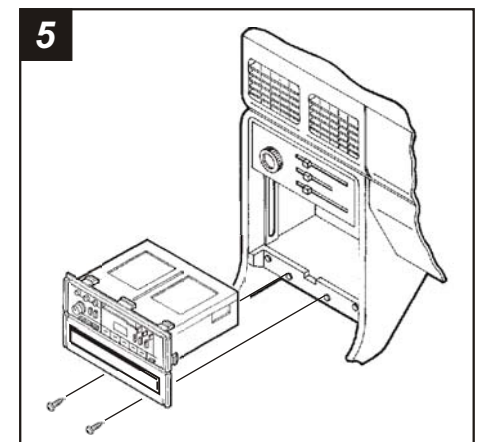
4



- A) Strip wire ends back 1/2"
- B) Twist ends together
- C) Solder
- D) Tape

Locate the factory wiring harness in the dash. Metra recommends using the proper mating adaptor and making connections as shown. (Isolate and individually tape off the ends of any unused wires to prevent electrical short circuit).

5

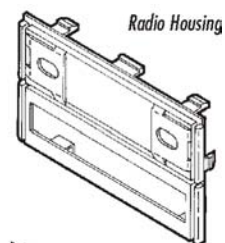


Re-connect the battery terminal and test the unit for proper operation. Mount the head unit/kit assembly to the sub-dash with (2) Phillips screws previously removed in step #1.

### KIT FEATURES

- ▶ Shaft and DIN unit provisions
- ▶ Factory pocket provisions
- ▶ Equalizer provisions

### KIT COMPONENTS



### TOOLS REQUIRED



86-5618 - Head unit removal keys



Phillips screwdriver



Cutting tool

# 99-5556

## INSTALLATION INSTRUCTIONS

### APPLICATIONS

<u>CAR</u>	<u>PAGE</u>
FORD	
Probe 1988-92.....	1-2

