



INSTALLATION INSTRUCTIONS FOR PART 99-6537B

Dodge Durango 2014-up 99-6537B

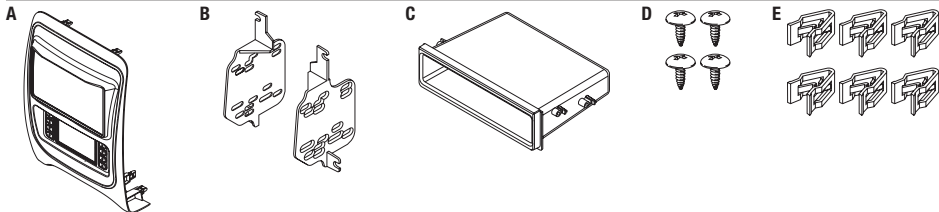
KIT FEATURES

- ISO DIN radio provision with pocket
- ISO DDIN radio provision
- **Painted Black**
- **Touchscreen display for climate and personalization features**



KIT COMPONENTS

- A) Radio trim panel with touchscreen display
- B) Radio brackets
- C) Pocket
- D) (4) #8 x 3/8" Phillips screws
- E) (6) Panel clips
- F) HVAC interface and wiring harness (not shown)



WIRING & ANTENNA CONNECTIONS

Wiring Harness: Axxess interface and harness included Antenna Adapter: 40-EU55 (sold separately)

Table of Contents

Dash Disassembly	2
Kit Preparation	2
Kit Assembly	
– ISO DIN radio provision with pocket.....	3
– ISO DDIN radio provision	3
Axxess Interface Installation	4-13

TOOLS REQUIRED

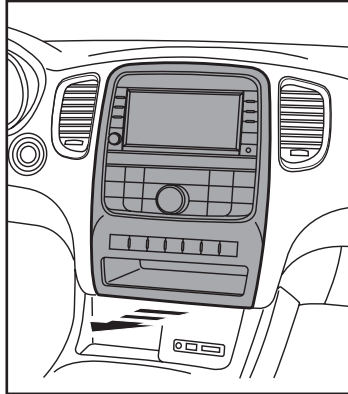
- Panel removal tool
- Phillips screwdriver
- 9/32" socket wrench
- 5.5mm socket wrench

CAUTION! All accessories, switches, climate controls panels, and especially air bag indicator lights must be connected before cycling the ignition. Also, do not remove the factory radio with the key in the on position, or while the vehicle is running.

Dash Disassembly

1. Unclip and remove the radio/ climate control panel. (Figure A)
2. Remove the (4) 9/32 screws securing the radio/display screen, and then unplug and remove.
3. Remove the (3) 5.5mm screws securing the black control module in the sub-dash, and then relocate lower to allow clearance for the aftermarket radio.

Continue to Kit Preparation



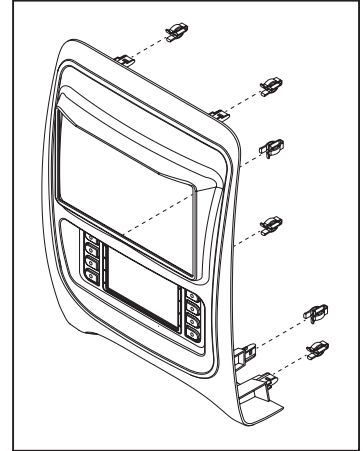
(Figure A)

Kit Preparation

To the 99-6537CH radio trim panel:

1. Attach the (6) *panel clips* provided. (Figure A)

Continue to Kit Assembly



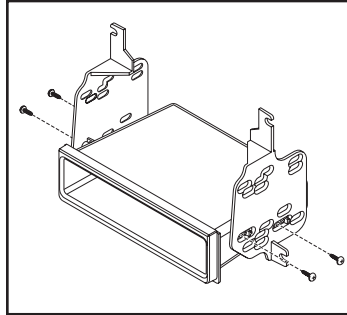
(Figure A)

Kit Assembly

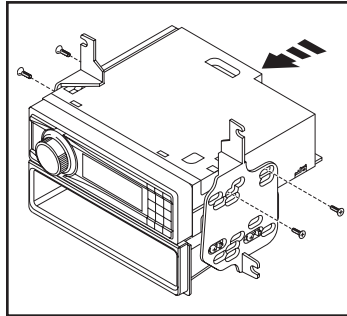
ISO DIN radio provision with pocket

1. Attach the *pocket* to the *radio brackets* using the (4) #8 x 3/8" Phillips truss-head screws provided. (Figure A)
2. Remove the metal DIN sleeve and trim ring from the aftermarket radio.
3. Slide the radio into the bracket/pocket assembly, and then secure it using the screws supplied with the radio. (Figure B)

Continue to Axxess Interface Installation



(Figure A)

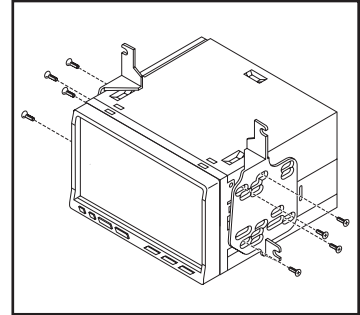


(Figure B)

ISO DDIN radio provision

1. Attach the *brackets* to the radio using the screws supplied with the radio. (Figure A)

Continue to Axxess Interface Installation



(Figure A)

Axxess Interface Installation

INTERFACE FEATURES

- Provides accessory power (12-volt 10-amp)
- Retains R.A.P. (retained accessory power)
- Provides NAV outputs (parking brake, reverse, speed sense)
- Retains audio controls on the steering wheel
- Retains safety chimes
- Retains the factory backup camera
- Retains the factory AUX-IN jack
- Retains balance and fade*
- Micro "B" USB updatable

* Non-amplified models only.

INTERFACE COMPONENTS

- Axxess interface (built into the touchscreen display)
- 6537 harness
- 16-pin harness with stripped leads
- 4-pin harness with yellow RCA jacks
- Hazard harness
- Female 3.5mm connector with stripped leads

TABLE OF CONTENTS

Connections to be made	5-7
Installing the interface	8
Initializing the interface	8
Final assembly	8
Touchscreen display operation	9-11
Steering wheel control settings	12-13

TOOLS REQUIRED

- Wire cutter • Crimp tool • Solder gun • Tape
- Connectors (example: butt-connectors, bell caps, etc.)



99-6537B

Connections to be made

Attention! This interface will work with models that are either non-amplified, or amplified. Please follow the instructions carefully for your model vehicle. Failure to do so will result in either no sound, or low sound. If you are unsure if your vehicle is factory amplified or not, please contact your local dealership.

For models *without* a factory amplifier:

From the 16-pin harness with stripped leads to the aftermarket radio:

- Connect the **Red** wire to the accessory wire.
- If the aftermarket radio has an illumination wire, connect the **Orange/White** wire to it.
- Connect the **Green** wire to the left rear positive speaker output.
- Connect the **Green/Black** wire to the left rear negative speaker output.
- Connect the **Purple** wire to the right rear positive speaker output.
- Connect the **Purple/Black** wire to the right rear negative output.
- Tape off and disregard the following (6) wires, they will not be used in this application.

Blue/White, Brown, Gray, Gray/Black, White, White/Black

The following (3) wires are only for multimedia/navigation radios that require these wires.

- Connect the **Blue/Pink** wire to the VSS/speed sense wire.
- Connect the **Green/Purple** wire to the reverse wire.
- Connect the **Light Green** wire to the parking brake wire.

From the 6537 harness to the aftermarket radio:

- Connect the **Black** wire to the ground wire.
- Connect the **Yellow** wire to the battery wire.
- Connect the **Gray** wire to the right front positive speaker output.
- Connect the **Gray/Black** wire to the right front negative speaker output.
- Connect the **White** wire to the left front positive speaker output.
- Connect the **White/Black** wire to the left front negative speaker output.
- Connect the (2) 4-pin connectors together.
- If retaining the factory backup camera, connect the **Yellow** RCA jack to the reverse camera input.
- If the AUX-IN jack in the dash is desired to be used, connect the **Red** and **White** RCA jacks to the audio AUX-IN jacks of the aftermarket radio.
- Disregard the DIN jack, it will not be used in this application.

Continue to 3.5mm jack steering wheel control retention



99-6537B

Connections to be made

Attention! This interface will work with models that are either non-amplified, or amplified. Please follow the instructions carefully for your model vehicle. Failure to do so will result in either no sound, or low sound. If you are unsure if your vehicle is factory amplified or not, please contact your local dealership.

For models *with* a factory amplifier:

From the 16-pin harness with stripped leads to the aftermarket radio:

- Connect the **Red** wire to the accessory wire.
- Connect the **Blue/White** wire to the amp turn on wire. This wire must be connected to hear sound from the factory amplifier.
- If the aftermarket radio has an illumination wire, connect the **Orange/White** wire to it.
- Connect the **Gray** wire to the right front positive speaker output.
- Connect the **Gray/Black** wire to the right front negative speaker output.
- Connect the **White** wire to the left front positive speaker output.
- Connect the **White/Black** wire to the left front negative speaker output.
- Connect the **Green** wire to the left rear positive speaker output.
- Connect the **Green/Black** wire to the left rear negative speaker output.
- Connect the **Purple** wire to the right rear positive speaker output.
- Connect the **Purple/Black** wire to the right rear negative output.
- Tape off and disregard the following (1) wire, it will not be used in this application: **Brown**

The following (3) wires are only for multimedia/navigation radios that require these wires.

- Connect the **Blue/Pink** wire to the VSS/speed sense wire.
- Connect the **Green/Purple** wire to the reverse wire.
- Connect the **Light Green** wire to the parking brake wire.

From the 6537 harness to the aftermarket radio:

- Connect the **Black** wire to the ground wire.
- Connect the **Yellow** wire to the battery wire.
- Tape off and disregard the following (4) wires, they will not be used in this application:
Gray, Gray/Black, White, White/Black
- Connect the (2) 4-pin connectors together.
- If retaining the factory backup camera, connect the **Yellow** RCA jack to the reverse camera input.
- If the AUX-IN jack in the dash is desired to be used, connect the **Red** and **White** RCA jacks to the audio AUX-IN jacks of the aftermarket radio.
- Disregard the DIN jack, it will not be used in this application.

Continue to 3.5mm jack steering wheel control retention

Connections to be made *(cont.)*

3.5mm jack - steering wheel control retention:

The 3.5mm jack is to be used to retain audio controls on the steering wheel control.

- For the radios listed below, connect the included *female 3.5mm connector with stripped leads*, to the male 3.5mm SWC jack from the *6537 harness*. Any remaining wires tape off and disregard.
- **Eclipse:** Connect the steering wheel control wire, normally **Brown**, to the **Brown/White** wire of the connector. Then connect the remaining steering wheel control wire, normally **Brown/White**, to the **Brown** wire of the connector.
- **Metra OE:** Connect the steering wheel control Key 1 wire (**Gray**) to the **Brown** wire.
- **Kenwood or select JVC with a steering wheel control wire:** Connect the **Blue/Yellow** wire to the **Brown** wire.
Note: If the **Kenwood** radio auto detects as a **JVC**, manually set the radio type to **Kenwood**. See the instructions under *changing radio type*.
- **XITE:** Connect the steering wheel control SWC-2 wire from the radio to the **Brown** wire.
- **Parrot Asteroid Smart or Tablet:** Connect the 3.5mm jack into the AX-SWC-PARROT (sold separately), and then connect the 4-pin connector from the AX-SWC-PARROT into the radio.

Note: The radio must be updated to rev. 2.1.4 or higher software.

- **Universal “2 or 3 wire” radio:** Connect the steering wheel control wire, referred to as Key-A or SWC-1, to the **Brown** wire of the connector. Then connect the remaining steering wheel control wire, referred to as Key-B or SWC-2, to the **Brown/White** wire of the connector. If the radio comes with a third wire for ground, disregard this wire.

Note: After the interface has been programmed to the vehicle, refer to the manual provided with the radio for assigning the SWC buttons. Contact the radio manufacturer for more information.

- **For all other radios:** Connect the 3.5mm jack into the port on the radio designated for an external steering wheel control interface. Refer to the manual provided with the radio if in doubt as to where the 3.5mm jack goes to.

4-pin harness with yellow RCA jacks:

- If retaining the factory backup camera to the touchscreen display is desired, connect the **Yellow** RCA jack labeled “Rearview camera”, to the **Yellow** RCA jack from the *6537 harness*.
- Disregard the **Yellow** RCA jack labeled “AUX video”, it will not be used in this application.

Continued on the next page

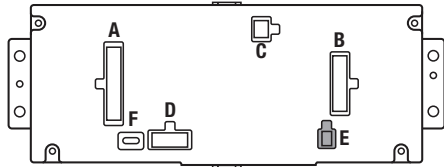
Installing the interface

It is highly advisable to read the following steps beforehand, to ensure a clear understanding of what is to be expected. The following steps must be done in the order that they are numbered.

With the vehicle completely off:

Touchscreen display

1. Connect the *16-pin harness with stripped leads* into port “B” in the touchscreen display.
2. Connect the *6537 harness* to the wiring harnesses in the vehicle. Then insert the *6537 harness* into port “A” in the touchscreen display. But do not install this harness until exactly before step 1 of “Initializing the Interface”. This is a timed process
3. Connect the *4-pin harness with yellow RCA jacks* into port “C” in the touchscreen display.
4. Connect the *hazard harness* into port “D” in the touchscreen display, and then to the wiring harness in the vehicle.
5. Disregard port “E”, it will not be used in this application.
6. Port “F” is an update port for future firmware upgrades.
7. Locate the factory antenna connector in the dash and complete all necessary connections to the radio. Metra recommends using the proper mating adapter from Metra.



Initializing the interface

Attention! If the interface loses power for any reason, the following steps will need to be performed again.

1. Refer to step 2 of “Installing the interface”.
2. Press the push-to-start button to start the vehicle.
3. Program the kit:
 - a. Once the touchscreen display loads up, select the vehicle type; “Dodge Durango”.
 - b. Wait until the radio comes on, and the touchscreen display shows “SWC Configured”. This process may take up to 3 minutes.

Note: If the touchscreen display does not load up, or the radio doesn’t come on within 3 minutes, and/or the touchscreen display does not show “SWC Configured”, turn the vehicle off and disconnect the *6537 harnesses* from port “A” in the touchscreen display. Check all the connections, reconnect the harness into the touchscreen display, and then try again.

4. Test all functions of the installation for proper operation, before reassembling the dash.

Note: The clock and compass in the driver’s information center will no longer be functional.

Final assembly

2. Secure the completed assembly into the upper dash using the factory hardware.
3. Snap the radio trim panel with touchscreen display over the completed assembly, and then reassemble the dash in reverse order of disassembly.

Touchscreen display operation

HVAC Control screen



- This is the HVAC control screen which will be displayed on the touchscreen display. This is considered the **Main Menu** screen.
- The upper left tab with (3) arrows will take you to the **Heated/Cooled Seats*** screen, **Heated Steering*** screen, **Mirror Dimming*** screen, and also to the screen where the “hard buttons” that were on the factory radio panel are now placed: **ECO/ESC/PARK-SENSE/SPORT/STOP-START***
- The upper right tab with a gear icon will take you to the **Configuration Settings** screen.
- The climate controls will function in the same manner that they did with the factory climate controls.
- For models with rear climate controls, the button labeled “REAR” will take you to the rear climate control menu.

* If applicable.

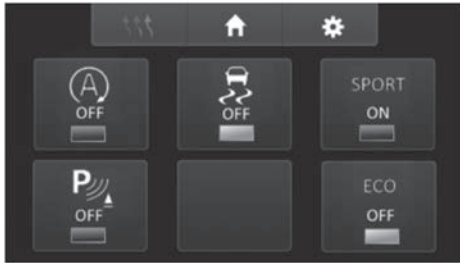
Heated seats screen



- This is the **Heated/Cooled Seats, Heated Steering, and Mirror Dimming** control screen which will be displayed on the touchscreen display.
- The upper left-middle tab with a home icon will take you back to the **Main Menu** screen.
- The upper right-middle tab with a gear icon will take you to the **Configuration Settings** screen.
- The upper right tab with a car icon will take you to the screen where the “hard buttons” that were on the factory radio panel are now placed: **ECO/ESC/PARK-SENSE/SPORT/STOP-START**

Touchscreen display operation

ECO/ESC/PARK-SENSE/SPORT/STOP-START screen

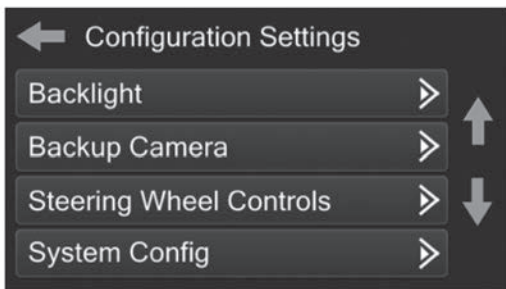


- **ECO** – Fuel Economy Mode
- **ESC** – Electronic Stability Control
- **PARK-SENSE** – ParkSense Rear Park Assist System
- **SPORT** – Sport Mode
- **STOP-START** – Stop/Start System

- This is the screen where you can access the “hard buttons” that were on the factory radio panel: **ECO/ESC/PARK-SENSE/SPORT/STOP-START**
- The upper left tab with (3) arrows will take you back to the **Heated/Cooled Seats** screen.
- The upper middle tab with a home icon will take you to the **Main Menu** screen.
- The upper right tab with a gear icon will take you to the **Configuration Settings** screen.

Touchscreen display operation *(cont.)*

Configuration Settings screen



- **Backlight**

- Four slide bars control the color of the buttons and the back-light intensity:
Red / Green / Blue / Backlight

- **Backup Camera**

- Enable – Enables the backup camera image to the touchscreen display
- Disable – Disables the backup camera image to the touchscreen display (default)

- **Steering Wheel Controls**

- Remap Buttons – For remapping the steering wheel control buttons
- Dual Assign – For dual assigning the steering wheel control buttons (long button press)
- Select Radio – For auto detecting the radio, or changing the radio type

- **System Configuration**

- Firmware version

Touchscreen calibration:

- Press and hold the upper two soft buttons on either side of the touchscreen for 10 seconds.
- A screen will pop up asking for you to press the target in the screen.
- After pressing the target with your finger, the calibration process will be complete, and the screen will disappear.

Steering wheel control settings

Select Radio screen



- To show which brand radio is “auto detected” to the interface, press the “Autodetect” button. The radio detected will have a filled in circle. If the incorrect radio is shown, select the proper radio.
- Following is a list of radio manufacturers that the interface presently acknowledges. Others may be added at a later date. Universal “2 or 3 wire” radios can show up as any of these radio manufacturers.

Eclipse (Type 1) †	JVC	Clarion (Type 2) †	Parrot **
Kenwood ‡	Pioneer/Jensen	Metra OE	XITE
Clarion (Type 1) †	Alpine *	Eclipse (Type 2) †	Philips
Sony / Dual	Visteon	LG	JBL
	Valor		

*** Note:** If the interface shows an Alpine radio, and you do not have an Alpine radio, that means the interface does not detect a radio connected it, i.e., an open connection. Verify that the 3.5mm jack is connected to the correct steering wheel jack/wire in the radio.

**** Note:** The AX-SWC-PARROT is required (sold separately). Also, the Parrot radio must be updated to rev. 2.1.4 or higher through www.parrot.com.

† Note: If you have a Clarion radio and the steering wheel controls do not work, change the radio type to the other Clarion radio type; same for Eclipse.

‡ Note: If you have a Kenwood radio and the touchscreen display shows a JVC radio, change the radio type to Kenwood.

Continued on the next page

Steering wheel control settings *(cont.)*

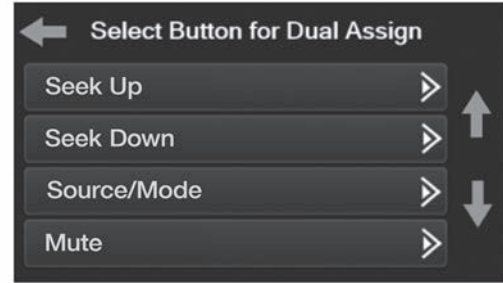
Remap Button screen



- The interface has the ability to change the button assignment for the steering wheel control audio buttons, except Volume-Up and Volume-Down. Follow the prompts on the touchscreen display to remap the steering wheel control audio button(s) to your liking.

Note: The aftermarket radio may not have all of these commands. Please refer to the manual provided with the radio, or contact the radio manufacturer, for specific commands recognized by that particular radio.

Dual Assign screen



- The interface has the capability to assign two functions to a single button, except Volume-Up and Volume-Down. Follow the prompts on the touchscreen display to program the button(s) to your liking.

Note: Seek-Up and Seek-Down come programmed as Preset-Up and Preset-Down for a long button press.



INSTALLATION INSTRUCTIONS FOR PART 99-6537B



IMPORTANT

If you are having difficulties with the installation of this product, please call our Tech Support line at 1-800-253-TECH. Before doing so, look over the instructions a second time, and make sure the installation was performed exactly as the instructions are stated. Please have the vehicle apart and ready to perform troubleshooting steps before calling.



KNOWLEDGE IS POWER

Enhance your installation and fabrication skills by enrolling in the most recognized and respected mobile electronics school in our industry. Log onto www.installerinstitute.com or call 800-354-6782 for more information and take steps toward a better tomorrow.



Metra recommends MECP certified technicians

REV. 2/20/2017 INST99-6537B