



Dodge Charger/Magnum (without factory NAV) 2005-2007

KIT FEATURES

- ISO DIN radio provision with pocket
- ISO DDIN radio provision
- Painted matte black (99-6548B), silver (99-6548S) or carbon fiber (99-6548CF)

KIT COMPONENTS

- A) Radio/climate-control trim panel • B) Radio brackets • C) Pocket • D) (6) Panel clips • E) (4) #8 x 3/8" Phillips screws

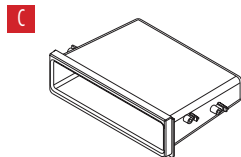
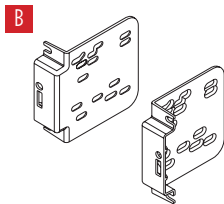
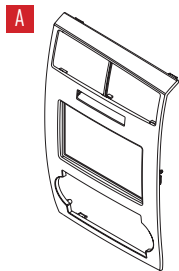


TABLE OF CONTENTS

Dash Disassembly	2
Kit Assembly	
–ISO DIN radio provision with pocket	3
–ISO DDIN radio provision.....	4

WIRING & ANTENNA CONNECTIONS (sold separately)

Wiring Harness: XSVI-6502-NAV • CHT0-01
Antenna Adapter: 40-CR10

TOOLS REQUIRED

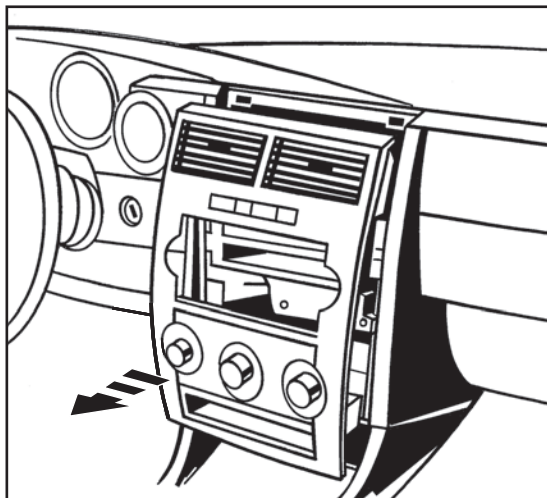
- Panel removal tool • Phillips screwdriver
- 9/32" Socket wrench

CAUTION! All accessories, switches, climate controls panels, and especially air bag indicator lights must be connected before cycling the ignition. Also, do not remove the factory radio with the key in the on position, or while the vehicle is running.

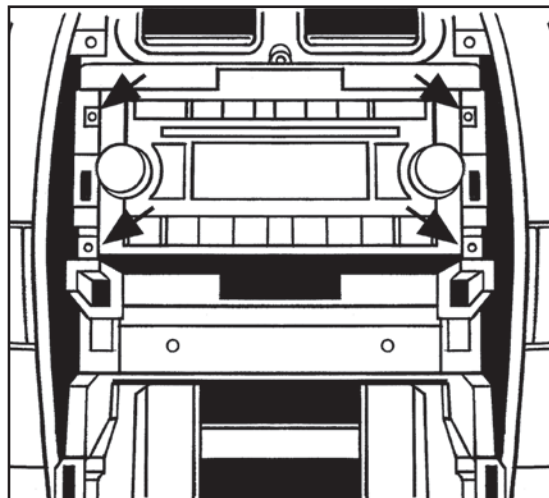
DASH DISASSEMBLY

1. Unclip and remove entire panel surrounding radio and climate controls, including A/C vents. (Figure A)
2. Remove (4) 9/32" screws securing radio to dash and remove radio. (Figure B)
3. Remove factory vents and climate controls from the factory radio panel and transfer to the 99-6548 radio/ climate-control trim panel using the factory screws.

Continue to Kit Assembly



(Figure A)

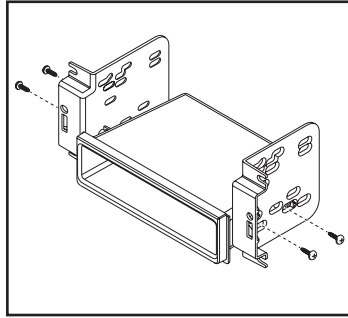


(Figure B)

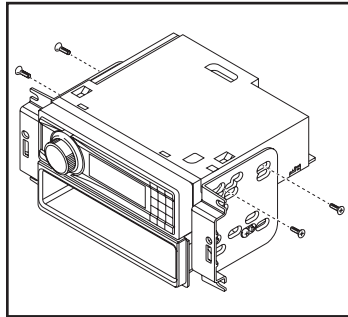
KIT ASSEMBLY

ISO DIN radio provision with pocket

1. Secure the *pocket* to the *radio brackets* using the (4) #8 x 3/8" Phillips screws provided. (Figure A)
2. Remove the metal DIN sleeve and trim ring from the aftermarket radio.
3. Slide the radio into the bracket/pocket assembly, and then secure it using the screws supplied with the radio. (Figure B)
4. Locate the factory wiring harness and antenna connector in the dash and complete all necessary connections to the radio. Metra recommends using the proper mating adapter from Metra and/or Axxess. Test the radio for proper operation.

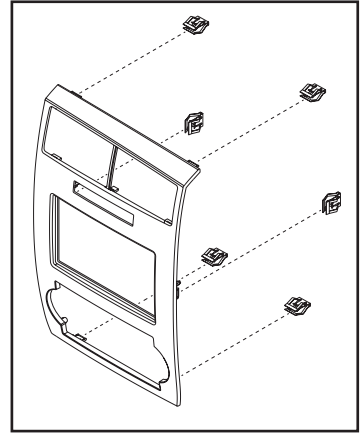


(Figure A)



(Figure B)

5. Secure the radio assembly to the dash using the factory screws.
6. Attach the (6) panel clips provided onto the 99-6548 radio/climate control trim panel. (Figure C)
7. Reassemble the dash in reverse order of disassembly using the 99-6548 radio/climate control trim panel to complete the installation.

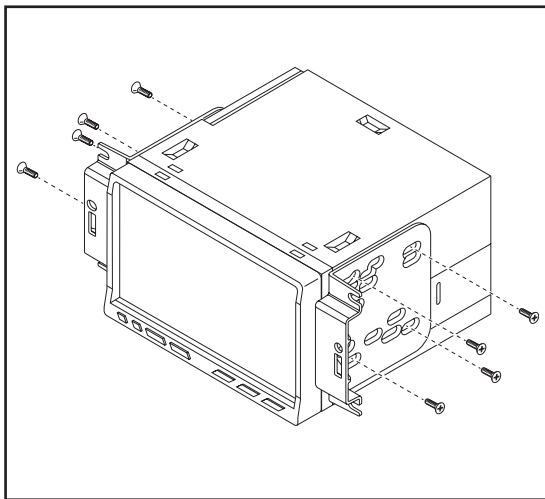


(Figure C)

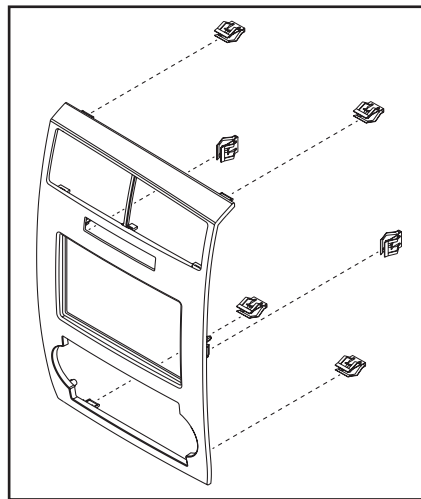
KIT ASSEMBLY

ISO DDIN radio provision

1. Secure the *radio brackets* to the radio using the screws supplied with the radio. (Figure A)
2. Locate the factory wiring harness and antenna connector in the dash and complete all necessary connections to the radio. Metra recommends using the proper mating adapter from Metra and/or Axxess. Test the radio for proper operation.
3. Secure the radio assembly to the dash using the factory screws.
4. Attach the (6) panel clips provided onto the 99-6548 radio/climate control trim panel. (Figure B)
5. Reassemble the dash in reverse order of disassembly using the 99-6548 radio/climate control trim panel to complete the installation.



(Figure A)



(Figure B)



99-6548
INSTALLATION INSTRUCTIONS



IMPORTANT

If you are having difficulties with the installation of this product, please call our Tech Support line at 1-800-253-TECH. Before doing so, look over the instructions a second time, and make sure the installation was performed exactly as the instructions are stated. Please have the vehicle apart and ready to perform troubleshooting steps before calling.



KNOWLEDGE IS POWER

Enhance your installation and fabrication skills by enrolling in the most recognized and respected mobile electronics school in our industry. Log onto www.installerinstitute.com or call 800-354-6782 for more information and take steps toward a better tomorrow.



**Metra recommends MECP
certified technicians**