



## INSTALLATION INSTRUCTIONS FOR PART 99-7419

### APPLICATIONS **Nissan Altima** 2005-2006 (Without factory navigation)

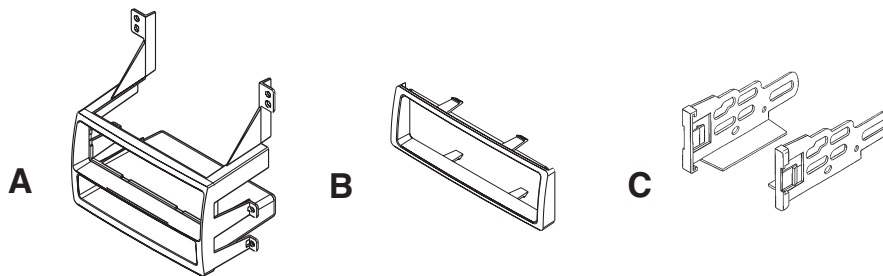
# 99-7419

#### KIT FEATURES

- DIN Head Unit Provision with Pocket
- ISO DIN Head Unit Provision with Pocket

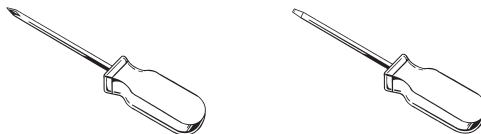
#### KIT COMPONENTS

- (A) Radio Housing • (B) Trim Plate • (C) ISO Brackets



#### TOOLS REQUIRED:

- Phillips Screwdriver • Small Flat Blade Screwdriver



1-800-221-0932



[www.metraonline.com](http://www.metraonline.com)

© COPYRIGHT 2004-2008 METRA ELECTRONICS CORPORATION



# **TABLE OF CONTENTS**

---

***Dash Disassembly***

***2005-2006 Nissan Altima* ..... 1**

***Kit Assembly***

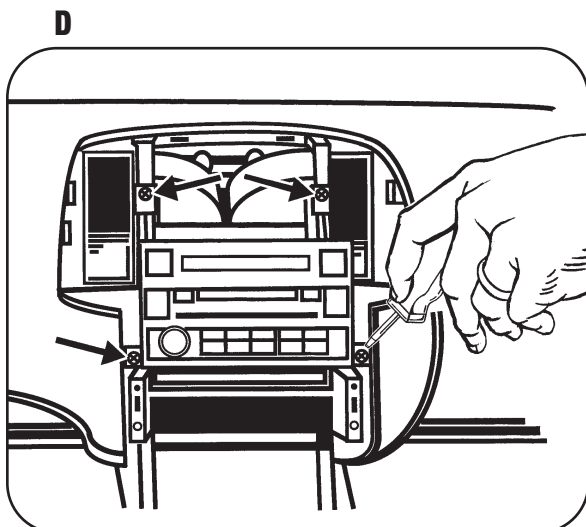
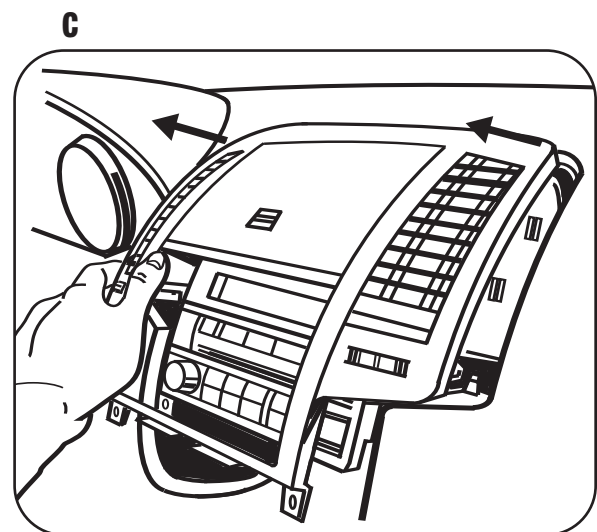
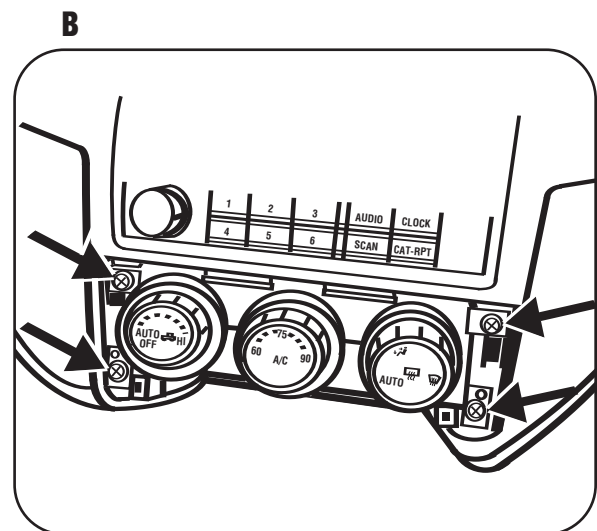
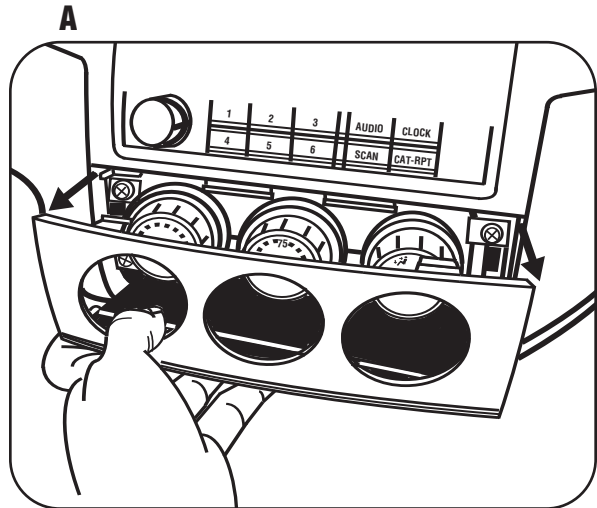
***DIN Head Unit Provision with Pocket* ..... 2**

***ISO DIN Head Unit Provision with Pocket* ..... 3**

***Final Assembly* ..... 4**

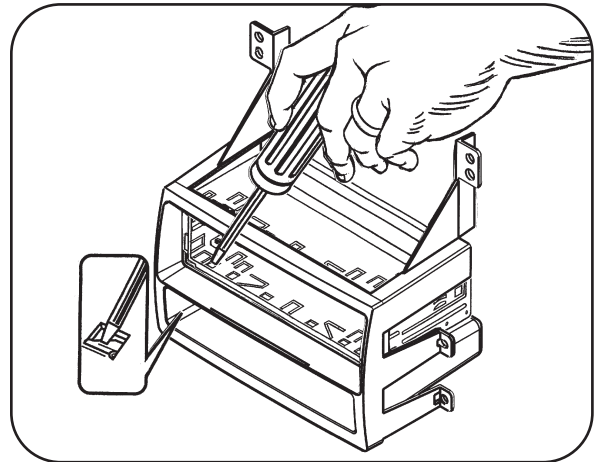
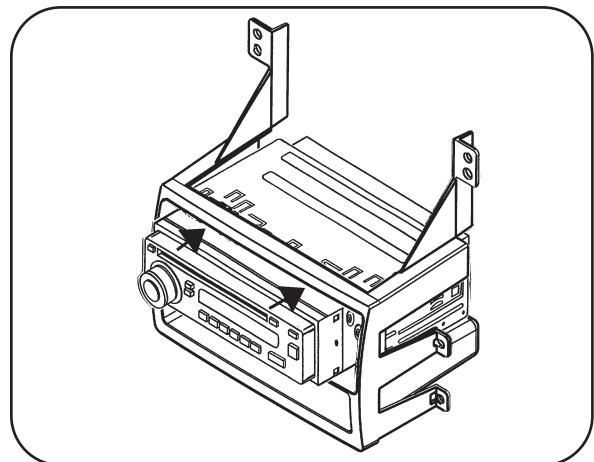
## 2005-2006 NISSAN ALTIMA

- 1 Disconnect the negative battery terminal to prevent an accidental short circuit.
- 2 Unclip and remove the trim panel surrounding the climate controls. (Figure A)
- 3 Remove (4) Phillips screws securing climate control and remove. (Figure B)
- 4 Unclip and remove the panel surrounding radio including A/C vents. (Figure C)
- 5 Remove (4) Phillips screws securing radio to remove. (Figure D)



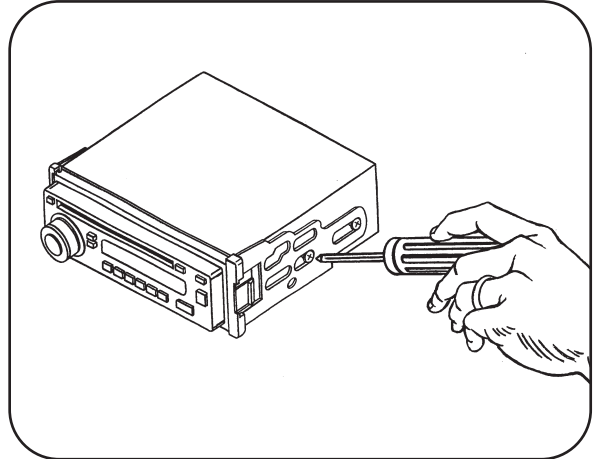
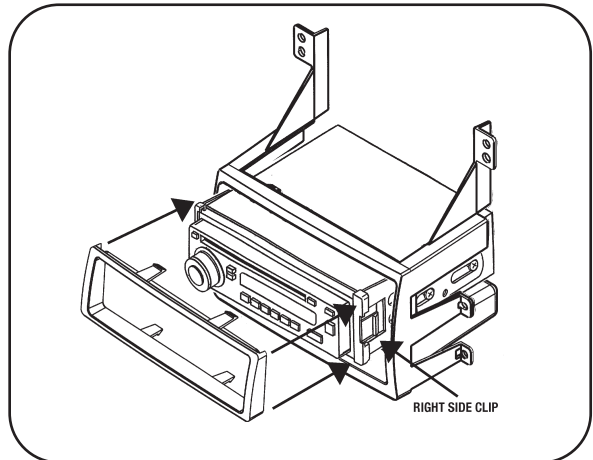
## 2005-2006 NISSAN ALTIMA DIN HEAD UNIT PROVISION

- 1** Slide the DIN cage into the Radio Housing and secure by bending the metal locking tabs down. (Figure A)
  
- 2** Slide the after-market radio into the cage and secure. (Figure B)

**A**

**B**


## 2005-2006 NISSAN ALTIMA ISO DIN HEAD UNIT PROVISION

- 1** Mount the ISO brackets to the radio with the screws supplied with the unit. (Figure A)
- 2** Slide the radio into the radio opening until the side clips engage. (Figure B)
- 3** Snap the 99-7419 trim plate into the radio housing. (Figure B)

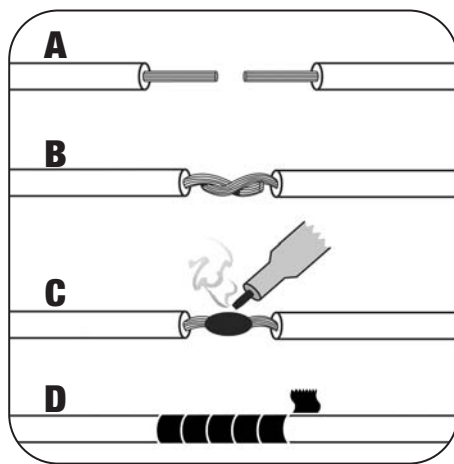
**A**

**B**


## FINAL ASSEMBLY

- 1 Locate the factory wiring harness in the dash and make the connection as shown. Metra recommends using the proper mating adapter and making the connections as shown. (Isolate and individually tape off the ends of any unused wires to prevent electrical short circuit.)
- 2 Re-connect the negative battery terminal and test the unit for proper operation.
- 3 Reassemble radio and dash assemblies in reverse order of disassembly.

### FINAL WIRING CONNECTIONS

Make wiring connections using the EIA color code chart shown below and the instructions included with the head unit. Metra recommends making connections as shown below; Strip, Splice, Solder, Tape. Isolate and individually tape off ends of any unused wires to prevent electrical short circuit.



- A) Strip wire ends back 1/2"**
- B) Twist ends together**
- C) Solder**
- D) Tape**

### METRA / EIA WIRING CODE

12V Ignition / Acc . . . Red	Right Front (+) . . . . . Gray
12V Batt / Memory . . Yellow	Right Front (-) . . . . . Gray / Black
Ground . . . . . Black*	Left Front (+) . . . . . White
Power Antenna . . . . . Blue	Left Front (-) . . . . . White / Black
Amp Turn-On . . . . . Blue / White	Right Rear (+) . . . . . Violet
Amp Ground . . . . . Black / White	Right Rear (-) . . . . . Violet / Black
Illumination . . . . . Orange	Left Rear (+) . . . . . Green
Dimmer . . . . . Orange / White	Left Rear (-) . . . . . Green / Black

**\*NOTE:** When a Black wire is not present, ground radio to vehicle chassis.

All colors may not be present on all leads due to manufacturer's specifications.



**99-7419**



**1-800-221-0932**



**www.metraonline.com**

REV. 03/03/08

© COPYRIGHT 2004-2008

METRA ELECTRONICS CORPORATION

INST99-7419