



Acura MDX 2007-2013

KIT FEATURES

- ISO DIN radio provision with pocket
- Painted matte black

KIT COMPONENTS

- A) Radio housing • B) Radio brackets • C) Pocket • D) (8) #8 x 3/8" Phillips screws

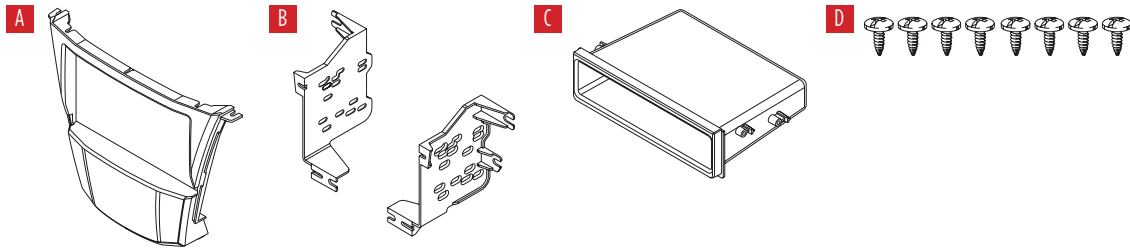


TABLE OF CONTENTS

Dash Disassembly	2
Kit Assembly	3

WIRING & ANTENNA CONNECTIONS (sold separately)

Wiring Harness: Please visit metraonline.com for wiring harness options

Antenna Adapter: Please visit metraonline.com for antenna adapter options

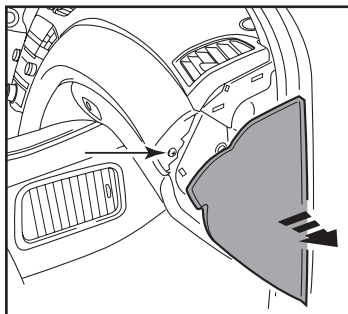
TOOLS REQUIRED

- Panel removal tool • Phillips screwdriver

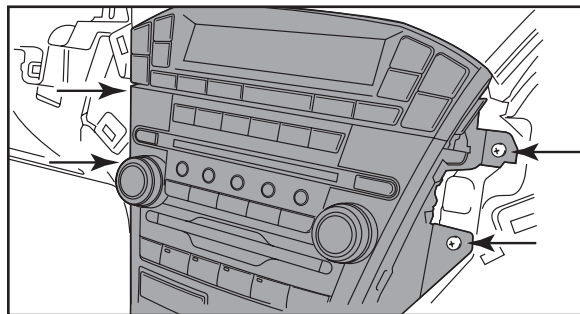
CAUTION! All accessories, switches, climate controls panels, and especially air bag indicator lights must be connected before cycling the ignition. Also, do not remove the factory radio with the key in the on position, or while the vehicle is running.

DASH DISASSEMBLY

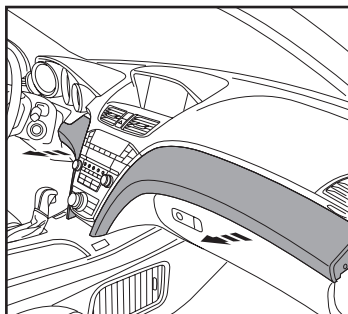
1. Open the passenger door, then unclip and remove the panel on the side of the dashboard. Remove (1) Phillips screw exposed. (Figure A)
2. Unclip and remove the dashboard trim panel above the glovebox. (Figure B)
3. Unclip and remove the dashboard trim panel between the steering column and the radio. (Figure B)
4. Remove (4) screws securing the radio. Slide the radio out, then unplug and remove the radio. (Figure C)



(Figure A)



(Figure C)

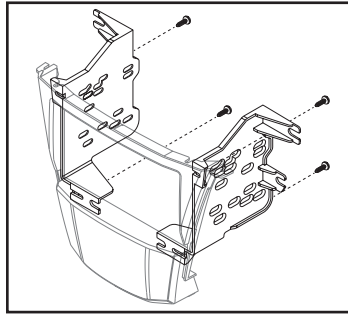


(Figure B)

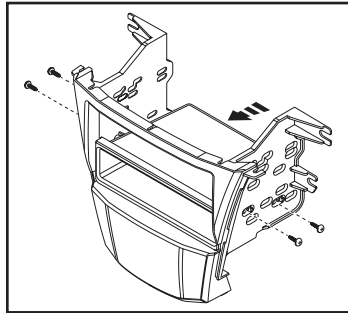
Continue to Kit Assembly

KIT ASSEMBLY

1. Secure the radio brackets to the radio housing using the (4) #8 x 3/8" Phillips screws provided. (Figure A)
2. Slide the pocket into the bracket/housing assembly, and then secure it using the (4) #8 x 3/8" Phillips screws provided. (Figure B)
3. Remove the metal DIN sleeve and trim ring from the aftermarket radio.

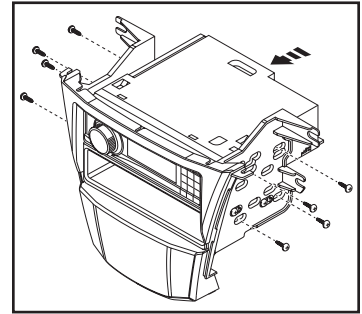


(Figure A)



(Figure B)

4. Slide the radio into the bracket/housing/pocket assembly, then secure it using the screws supplied with the radio. (Figure C)
5. Locate the factory wiring harness and antenna connector in the dash and complete all necessary connections to the radio. Metra recommends using the proper mating adapter from Metra and/or Axxess. Test the radio for proper operation.
6. Secure the radio assembly to the dash using the factory screws.
7. Reassemble the dash in reverse order of disassembly to complete the installation.



(Figure C)



99-7820B

INSTALLATION INSTRUCTIONS



IMPORTANT

If you are having difficulties with the installation of this product, please call our Tech Support line at 1-800-253-TECH. Before doing so, look over the instructions a second time, and make sure the installation was performed exactly as the instructions are stated. Please have the vehicle apart and ready to perform troubleshooting steps before calling.



KNOWLEDGE IS POWER

Enhance your installation and fabrication skills by enrolling in the most recognized and respected mobile electronics school in our industry. Log onto www.installerinstitute.com or call 800-354-6782 for more information and take steps toward a better tomorrow.



Metra recommends MECP certified technicians