



## INSTALLATION INSTRUCTIONS FOR PART 99-7861

### APPLICATIONS

**Honda Pilot**

**•2003-2008**

**•2006-2008 (Without Factory Navigation)**

# 99-7861

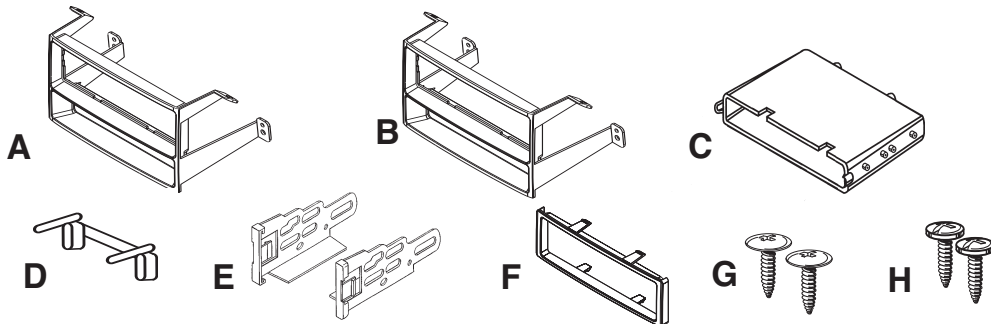


#### KIT FEATURES

- Recessed DIN
- Pocket
- ISO Head Unit Provision With Pocket

#### KIT COMPONENTS

A) "L" Radio Housing • B) "E" Radio Housing • C) Pocket • D) Rear Support Bracket • E) ISO Brackets  
F) ISO Trimplate • G) (2) # 8x3/8" Phillips Truss Head Screws H) (2) # 8x3/8" Phillips Pan Head Screws



#### WIRING AND ANTENNA CONNECTIONS (Sold Separately)

##### Harness:

- **70-1721** - Honda/Acura harness 1998-up

##### Antenna Adapter:

- **40-HD10** - Honda antenna adapter 2005-up

#### TOOLS REQUIRED:

Small Flat Blade Screwdriver/ • Panel Removal Tool • Phillips Screwdriver • Socket Set



**1-800-221-0932**



**www.metraonline.com**

© COPYRIGHT 2004-2009 METRA ELECTRONICS CORPORATION REV. 06-29-09

# **TABLE OF CONTENTS**

---

**Dash Disassembly**

***Honda Pilot 2003-2008. . . . . 1***

***Honda Pilot 2006-2008 (Without Factory Navigation) . . . . . 2***

**Kit Assembly . . . . . 3**

***DIN Head Unit Provision With Pocket . . . . . 4***

***ISO Head Unit Provision With Pocket . . . . . 5***

**Final Assembly . . . . . 6**

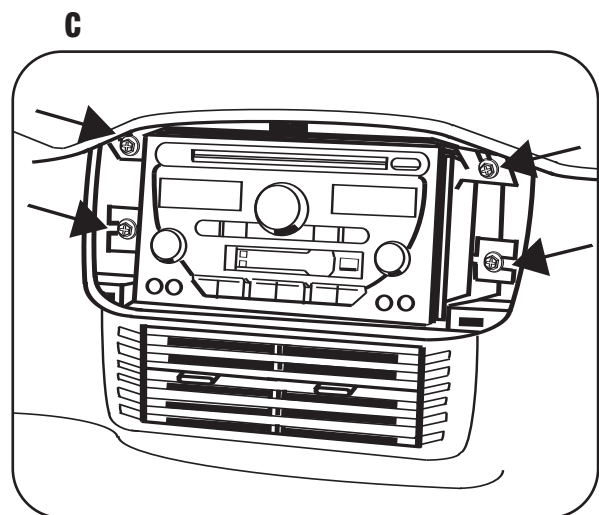
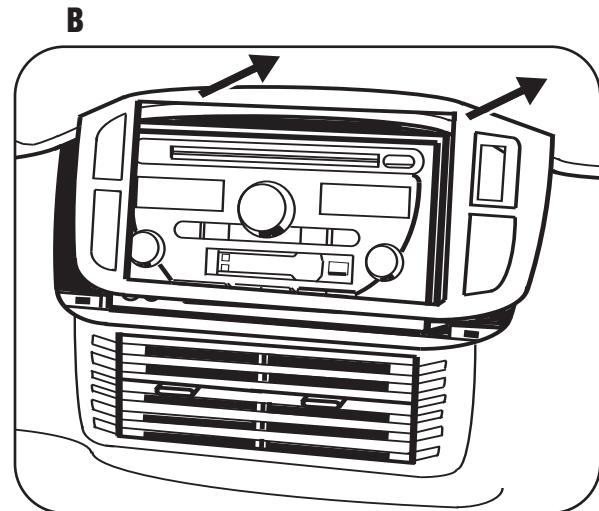
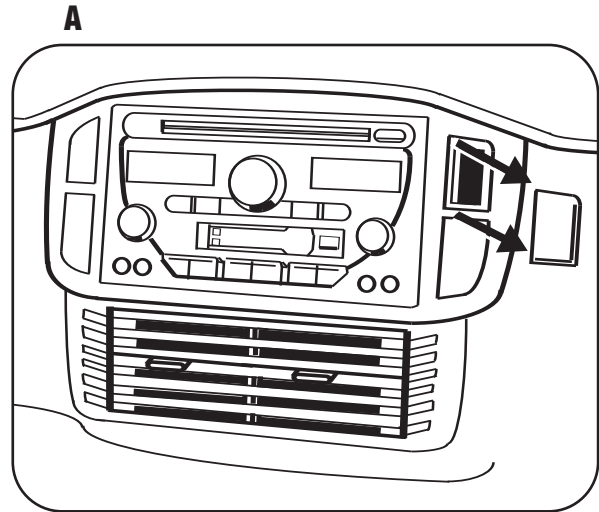


## **KNOWLEDGE IS POWER**

Enhance your installation and fabrication skills by enrolling in the most recognized and respected mobile electronics school in our industry. Log onto [www.installerinstitute.com](http://www.installerinstitute.com) or call 800-354-6782 for more information and take steps toward a better tomorrow.

## HONDA PILOT 2003-2008

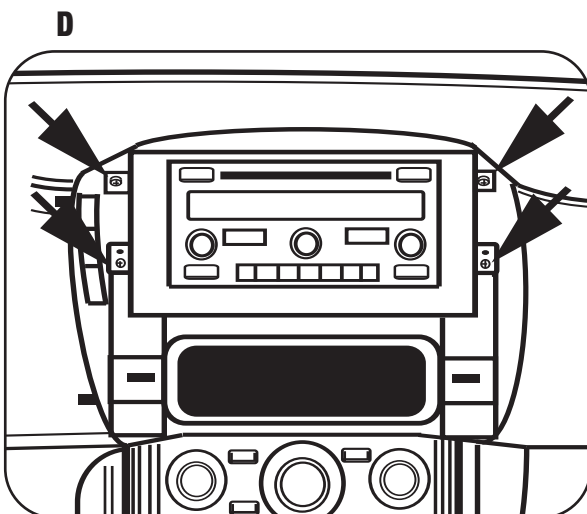
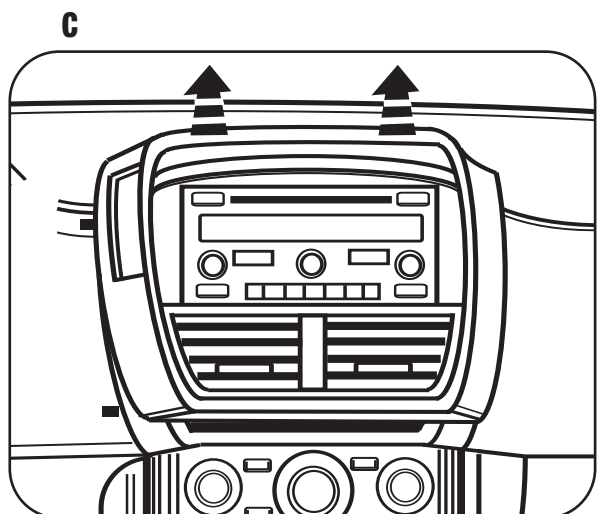
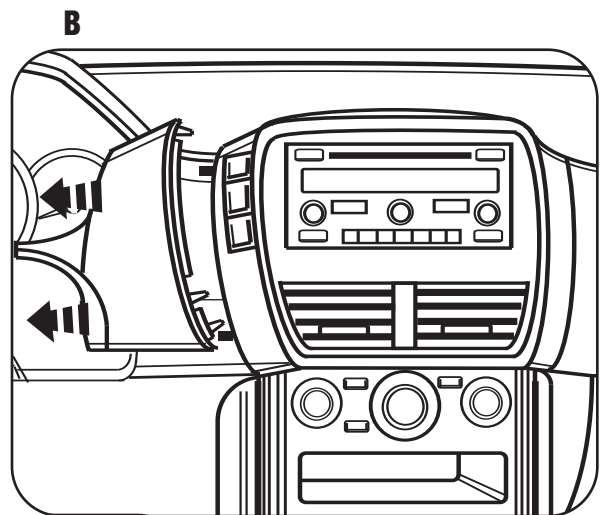
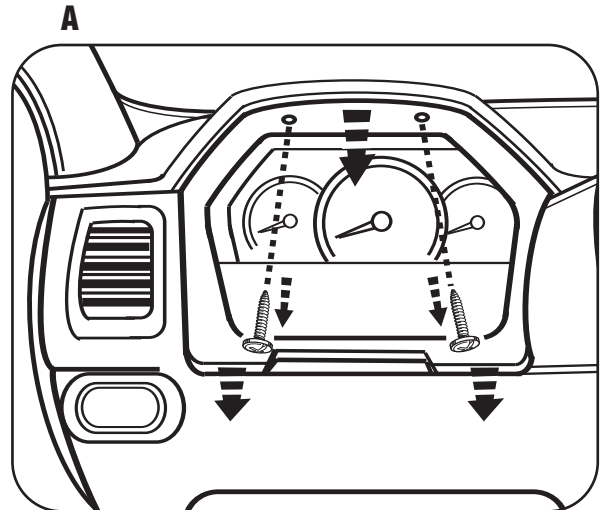
- 1** Disconnect the negative battery terminal to prevent an accidental short circuit.
- 2** Using a small flat blade screwdriver remove the blank plate from upper right side of radio trim panel. (Figure A)
- 3** Unsnap radio trim panel. Unplug switches and remove panel. (Figure B)
- 4** Remove (4) 10mm bolts securing radio, unplug and remove radio. (Figure C)



## **HONDA PILOT 2006-2008** *(Without Factory Navigation)*

- 1** Disconnect the negative battery terminal to prevent an accidental short circuit.
  
- 2** Remove (2) screws from the top of the instrument panel trim. Unclip and remove the instrument panel trim. (Figure A)
  
- 3** Unclip and remove the left center trim panel. (Figure B)
  
- 4** Unclip the radio trim panel. Unplug and remove the panel. (Figure C)
  
- 5** Remove the (4) screws securing the radio. Unplug and remove the radio. (Figure D)

*Continue to kit assembly.*

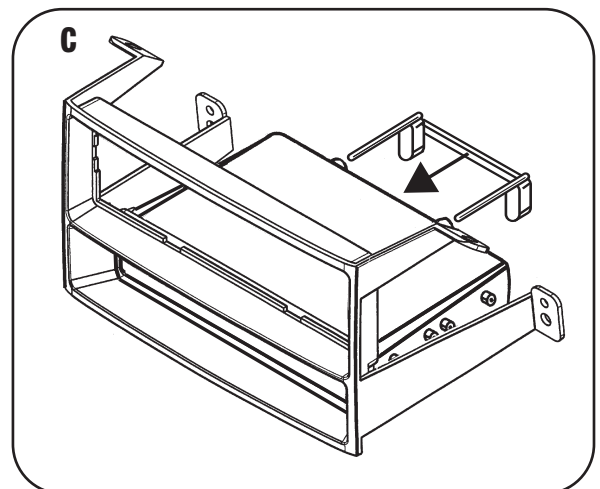
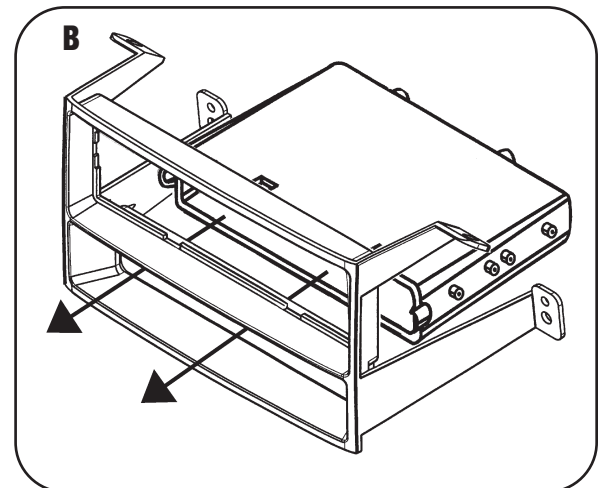
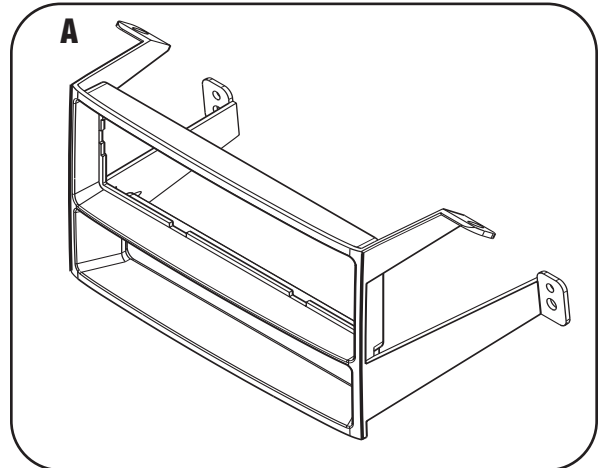


## HONDA PILOT

**•2003-2008**

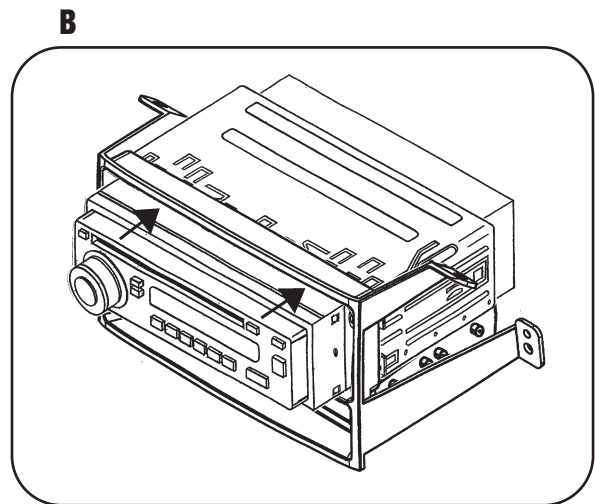
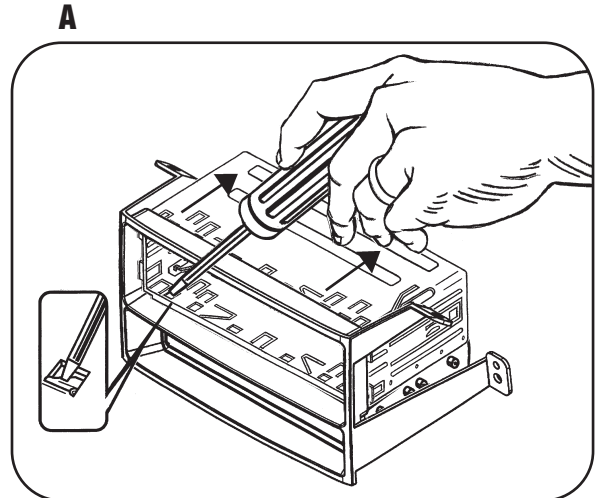
**•2006-2008** *(Without Factory Navigation)*

- 1** Select the proper radio housing for your vehicle. EX models use radio housing (E) and LX models use radio housing (L). The radio housings are labeled on one of the mounting tabs. (Figure A)
- 2** Mount the pocket to the back of the radio housing with the (2) #8x3/8" phillips pan head screws supplied. (Notches on the pocket must be on top.) (Figure B)
- 3** Mount the rear support bracket to the back of the pocket with the (2) #8x3/8" Phillips truss head screws supplied. (Figure C)



## DIN HEAD UNIT PROVISION WITH POCKET

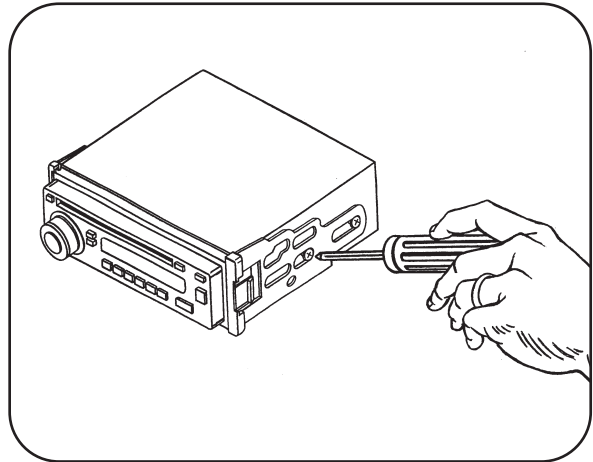
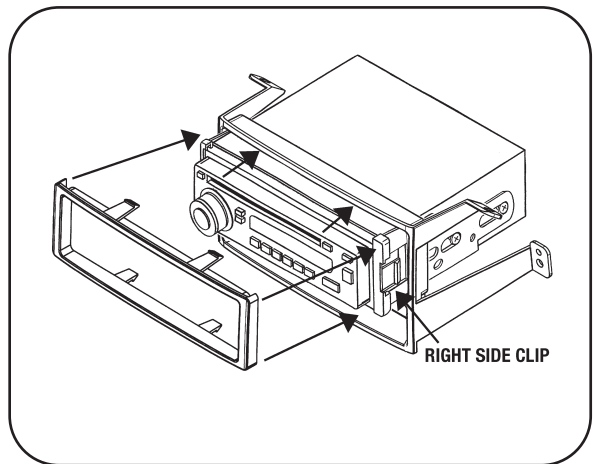
- 1 Slide DIN cage (supplied with radio) into the assembled radio housing from the front. (Figure A)
- 2 Secure DIN cage to radio housing by bending the locking tabs outward. (Figure A)
- 3 Slide the radio into the DIN cage until it snaps into place. (Figure B)



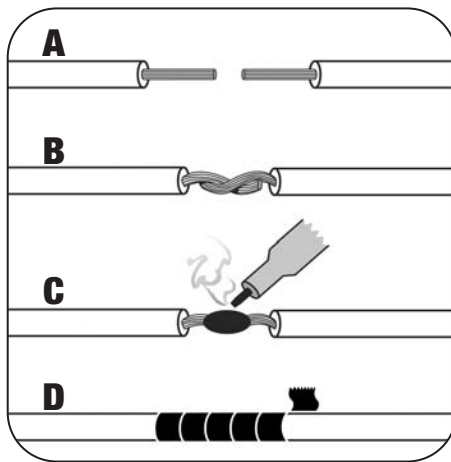
## ISO HEAD UNIT PROVISION WITH POCKET

- 1 Align the holes in the ISO brackets with the holes in the radio. Mount the brackets to the radio using screws supplied with the radio. (Figure A)
- 2 Slide the radio/bracket assembly into the assembled radio housing until it snaps into place. (Figure B)
- 3 Snap the ISO trimplate onto the front of the assembled radio and housing. (Figure B)

**NOTE:** To remove the radio unsnap and remove the ISO trimplate. Using a flat blade screwdriver disengage ISO brackets from the radio housing and slide radio out of radio housing.

**A**

**B**


## FINAL ASSEMBLY



- A) Strip wire ends back 1/2"**
- B) Twist ends together**
- C) Solder**
- D) Tape**

- 1** Locate the factory wiring harness in the dash. Metra recommends using the proper mating adapter and making connections as shown. (Isolate and individually tape off the ends of any unused wires to prevent electrical short circuit.)
- 2** Re-connect the negative battery terminal and test the unit for proper operation.
- 3** Reassemble radio and dash assemblies in reverse order of disassembly.

### FINAL WIRING CONNECTIONS

Make wiring connections using the EIA color code chart shown below and the instructions included with the head unit. Metra recommends making connections as shown below; Strip, Splice, Solder, Tape. Isolate and individually tape off ends of any unused wires to prevent electrical short circuit.

### METRA / EIA WIRING CODE

12V Ignition / Acc . . . Red	Dimmer . . . . . Orange / White
12V Batt / Memory . . Yellow	Right Front (+) . . . . White
Ground . . . . . Black*	Left Front (-) . . . . . White / Black
Power Antenna . . . . . Blue	Right Rear (+) . . . . . Violet
Amp Turn-On . . . . . Blue / White	Right Rear (-) . . . . . Violet / Black
Amp Ground . . . . . Black / White	Left Rear (+) . . . . . Green
Illumination . . . . . Orange	Left Rear (-) . . . . . Green / Black

**\*NOTE:** When Black a wire is not present, ground radio to vehicle chassis.  
All colors may not be present on all leads due to manufacturer's specifications.



**1-800-221-0932**



**www.metraonline.com**