



## INSTALLATION INSTRUCTIONS FOR PART 99-7876

### APPLICATIONS

# HONDA Pilot 2009-up

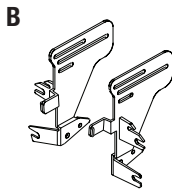
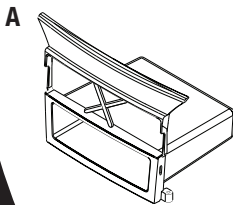
## 99-7876

### KIT FEATURES

- ISO Mount Radio Provision With Pocket

### KIT COMPONENTS

- A) Radio Housing • B) Radio Housing Brackets



### Wiring & Antenna Connections (sold separately)

- 70-1729 - Honda Harness 2008-up
- 40-HD10 - Honda Antenna Adapter 2006-up

### TOOLS REQUIRED:

- Small Flat Blade Screwdriver • Panel Removal Tool
- Phillips Screwdriver • Wire Cutters



1-800-221-0932



[www.metraonline.com](http://www.metraonline.com)

© COPYRIGHT 2008-2010 METRA ELECTRONICS CORPORATION



**TABLE OF CONTENTS**

**Dash Disassembly**

**- HONDA Pilot 2009-up ..... 1,2**

**Kit Preparation ..... 3**

**Kit Assembly**

**- ISO Mount Radio Provision With Pocket ..... 4**

**Final Assembly ..... 5**

**\*Note:**

**Refer also to the instructions included with the aftermarket radio.**



**KNOWLEDGE IS POWER**

Enhance your installation and fabrication skills by enrolling in the most recognized and respected mobile electronics school in our industry.

Log onto [www.installerinstitute.com](http://www.installerinstitute.com) or call 800-354-6782 for more information and take steps toward a better tomorrow.

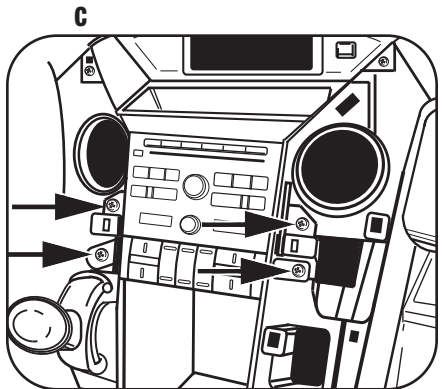
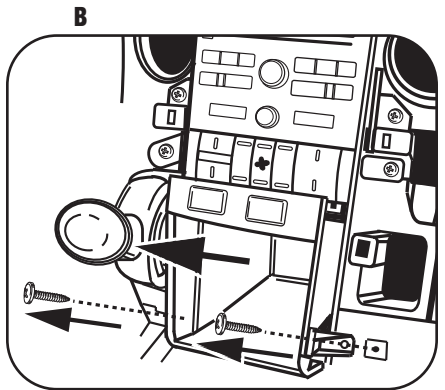
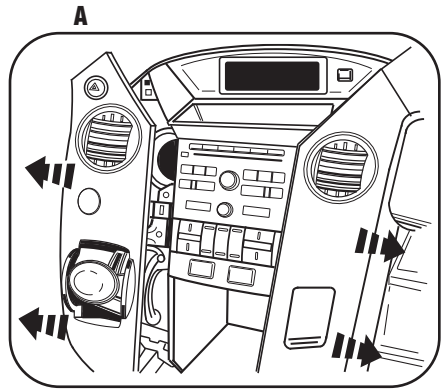


**Metra recommends MECP certified technicians**

## HONDA PILOT 2009-UP

- 1 Disconnect the negative battery terminal to prevent an accidental short circuit.
- 2 Unclip and remove the left a/c vent panel surrounding the shifter. (Figure A)
- 3 Unclip and remove the right a/c vent panel. (Figure A)
- 4 Remove the (2) Phillips screws securing the pocket below the radio then unclip and remove the pocket. (Figure B)
- 5 Remove (4) Phillips screws securing the radio, Unplug and remove the radio. (Figure C)

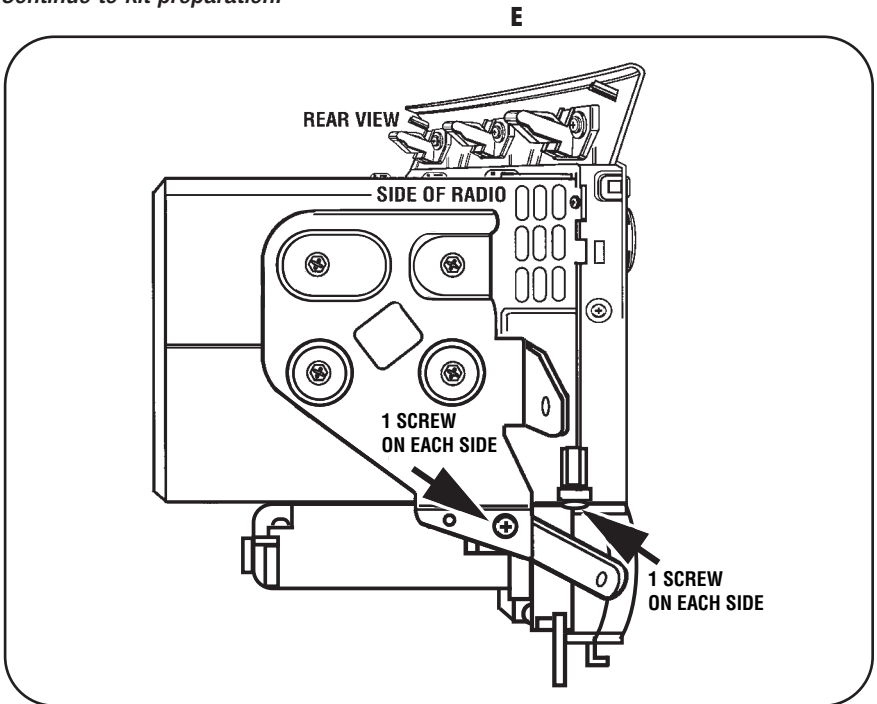
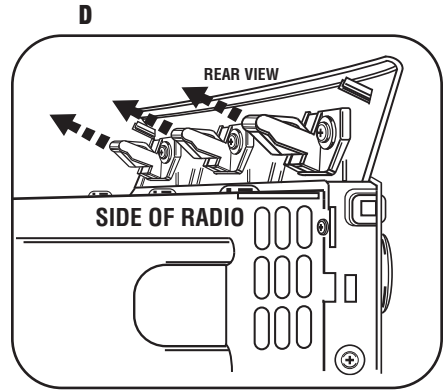
*Continued on page 2.*



## HONDA PILOT 2009-UP

- 6 Remove the (6) screws retaining the (3) clip assemblies at the top edge of the factory radio/climate control assembly. Retain screws and clip assemblies for reuse. (Figure D)
- 7 Remove (4) Phillips screws securing the factory climate control. Unplug and remove factory climate control. **NOTE:** Retain (4) Phillips screws and climate control for reuse in Kit Assembly. (Figure E)

Continue to kit preparation.



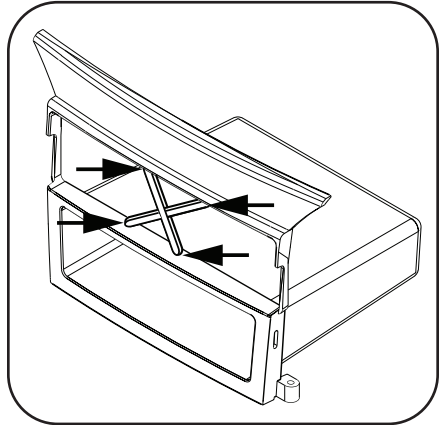
## HONDA PILOT 2009-UP

*\*Note: Refer also to the instructions included with the aftermarket radio.*

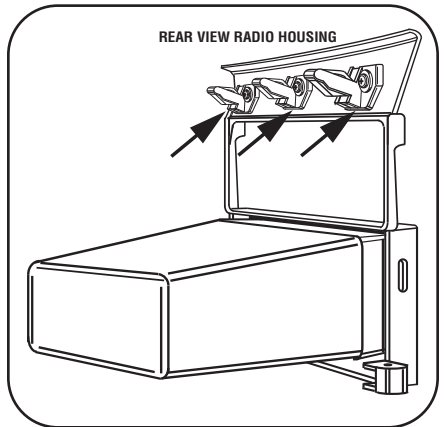
- 1 Cut and remove support strut on radio housing. (Figure A)
- 2 Attach the (3) clips removed in step 6 of the disassembly to the 99-7876 radio housing using the factory hardware. (Figure B)

*Continue to kit assembly.*

**A**



**B**

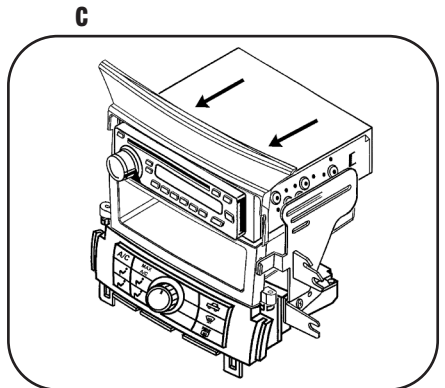
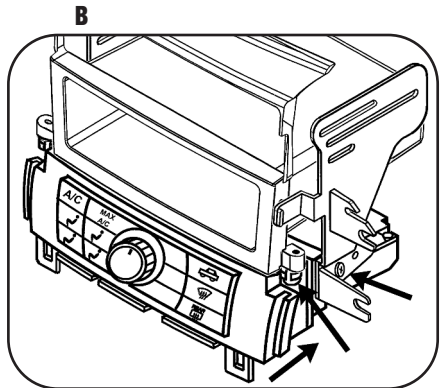
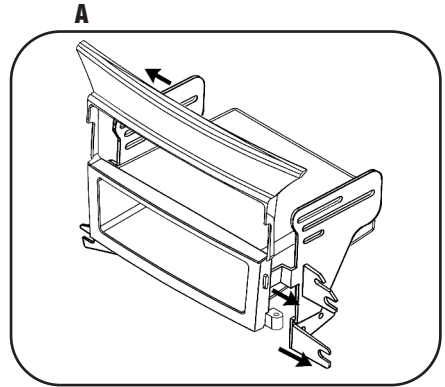


**ISO MOUNT RADIO PROVISION WITH POCKET**

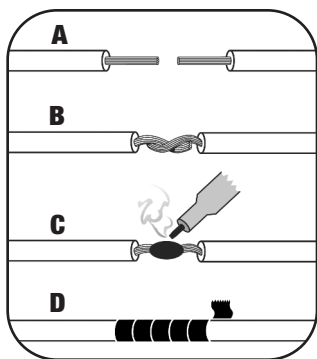
*\*Note: Refer also to the instructions included with the aftermarket radio.*

- 1 Attach the corresponding radio housing bracket to the radio housing (Figure A), then attach the climate control to the assembly using the (4) Phillips screws removed in step 7. (Figure B)
- 2 Position the aftermarket radio into the radio housing and secure using the hardware supplied with the radio. (Figure C)

*Continue to final assembly.*



## FINAL ASSEMBLY



**(A) Strip wire ends back 1/2"**

**B) Twist ends together**

**C) Solder**

**D) Tape**

- 1** Locate the factory wiring harness in the dash. Metra recommends using the proper mating adapter and making connections as shown. (Isolate and individually tape off the ends of any unused wires to prevent electrical short circuit.)
- 2** Re-connect the negative battery terminal and test the unit for proper operation.
- 3** Reassemble radio and dash assemblies in reverse order of disassembly.

### FINAL WIRING CONNECTIONS

Make wiring connections using the EIA color code chart shown below and the instructions included with the head unit. Metra recommends making connections as shown below; Strip, Splice, Solder, Tape. Isolate and individually tape off ends of any unused wires to prevent electrical short circuit.

#### METRA / EIA WIRING CODE

12V Ignition / Acc. . . . . Red	Right Front (+) . . . . . Gray
12V Batt / Memory . . . . . Yellow	Right Front (-) . . . . . Gray/ Black
Ground . . . . . Black*	Left Front (+) . . . . . White
Power Antenna . . . . . Blue	Left Front (-) . . . . . White / Black
Amp Turn-On . . . . . Blue / White	Right Rear (+) . . . . . Violet
Amp Ground . . . . . Black / White	Right Rear (-) . . . . . Violet / Black
Illumination . . . . . Orange	Left Rear (+) . . . . . Green
Dimmer . . . . . Orange / White	Left Rear (-) . . . . . Green / Black

**\*NOTE:** When a Black wire is not present, ground radio to vehicle chassis.

All colors may not be present on all leads due to manufacturer's specifications.

# 99-7876 INSTRUCTIONS



**1-800-221-0932**



**[www.metraonline.com](http://www.metraonline.com)**

REV. 7/11/11 © COPYRIGHT 2008-2010 METRA ELECTRONICS CORPORATION INST99-7876