



INSTALLATION INSTRUCTIONS FOR PART 99-8154

APPLICATIONS LEXUS GS SERIES 1993-1997

99-8154

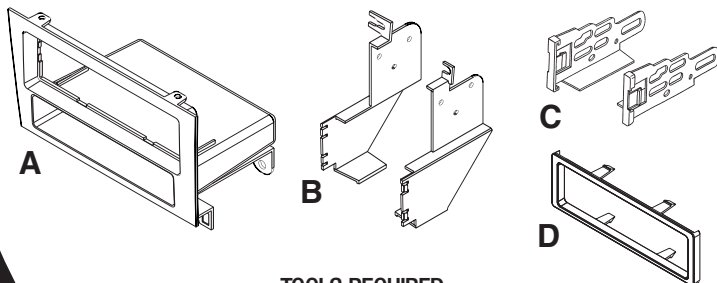


KIT FEATURES

- DIN Mount Radio Provision with Pocket
- ISO Mount Radio Provision with Pocket

KIT COMPONENTS

A) Radio Housing • B) Radio Housing Brackets • C) ISO Brackets • D) Trim Plate



TOOLS REQUIRED:

- Small Flat Blade Screwdriver/ Panel Removal Tool
- Phillips Screwdriver
 - Socket Set



1-800-221-0932



www.metraonline.com

© COPYRIGHT 2004-2007 METRA ELECTRONICS CORPORATION



TABLE OF CONTENTS

Dash Disassembly

- Lexus GS Series 1993-19971

Kit Preparation 2

Kit Assembly

- DIN Mount Radio Provision with Pocket 3

- ISO Mount Radio Provision with Pocket 4

Final Assembly 5

***Note:**

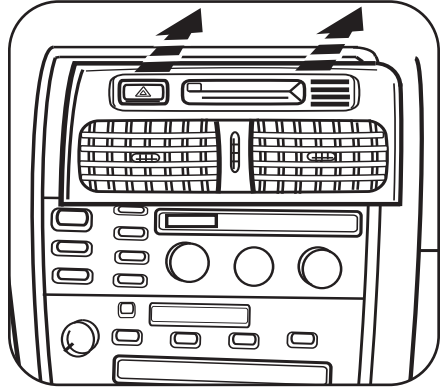
Refer also to the instructions included with the aftermarket radio.

LEXUS GS SERIES 1993-1997

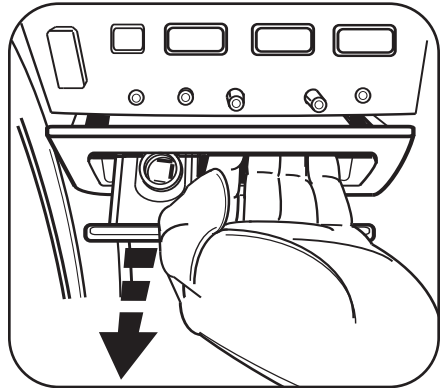
- 1 Disconnect the negative battery terminal to prevent an accidental short circuit.
- 2 Using a panel removal tool gently pry out on the top of the a/c vent assembly (including clock) and remove. (Figure A)
- 3 Unclip and remove ashtray assembly. **Tip:** Open ashtray door and pull from inside. (Figure B)
- 4 Remove (4) screws securing factory radio/climate control assembly. Unplug and remove the assembly. (Figure C)
- 5 Remove (4) screws securing factory climate controls to the assembly. Remove the climate controls and retain them and the screws for re-installation during kit assembly (Figure D)

Continue to kit assembly.

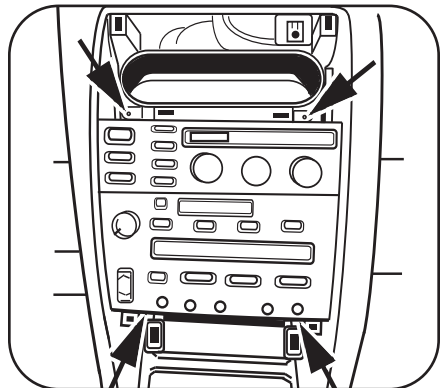
A



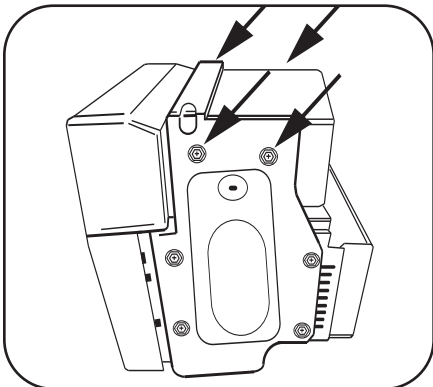
B



C



D



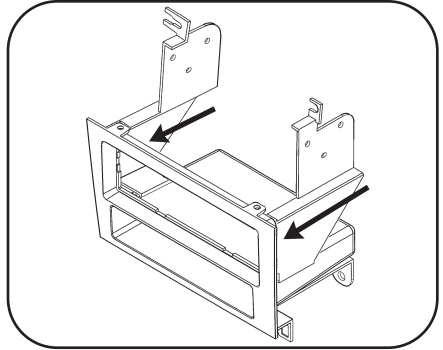
LEXUS GS SERIES 1993-1997 DIN MOUNT RADIO PROVISION WITH POCKET ISO MOUNT RADIO PROVISION WITH POCKET

Note: Refer also to the instructions included with the aftermarket radio.

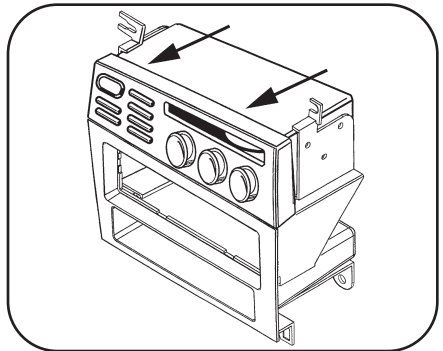
- 1 Slide the corresponding bracket onto the 99-8154 until side clips engage. (Figure A)
- 2 Slide the factory A/C controls into the 99-8154 aligning holes in top of kit with alignment pins in bottom of A/C control and secure with factory hardware. (Figure B)

Continue to final assembly.

A



B



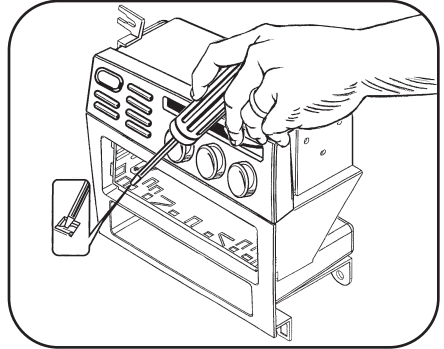
LEXUS GS SERIES 1993-1997
DIN MOUNT RADIO PROVISION WITH POCKET

Note: Refer also to the instructions included with the aftermarket radio.

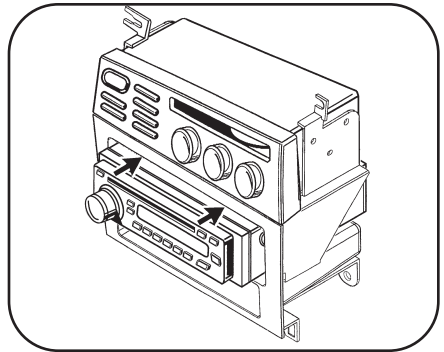
- 1** Slide the DIN cage into the radio housing/bracket/A/C control assembly and secure by bending the metal locking tabs outward. (Figure A)
- 2** Slide the aftermarket radio into the cage until it snaps into place. (Figure B)

Continue to final assembly.

A



B



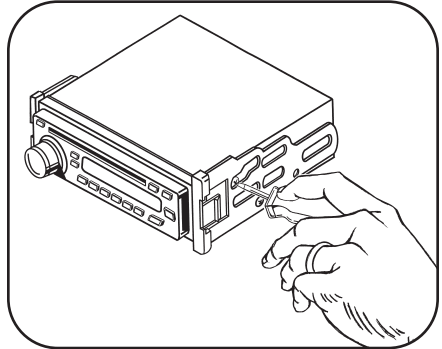
LEXUS GS SERIES 1993-1997
ISO MOUNT RADIO PROVISION WITH POCKET

Note: Refer also to the instructions included with the aftermarket radio.

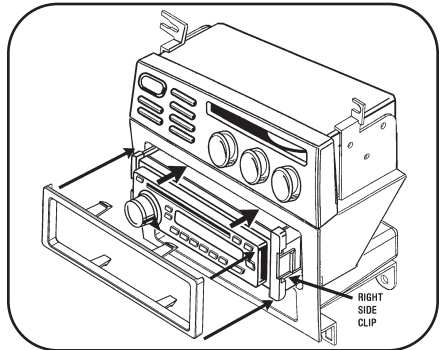
- 1** Mount the ISO Brackets to the radio using the screws supplied with the radio. (Figure A)
- 2** Slide the aftermarket radio into the radio housing/bracket/A/C control assembly until it snaps into place. (Figure B)
- 3** Snap the trim plate onto the front of the radio housing. (Figure B)

Continue to final assembly.

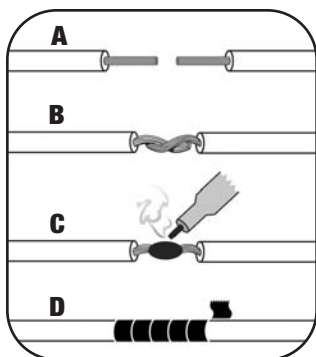
A



B



FINAL ASSEMBLY



- (A) Strip wire ends back 1/2"**
- B) Twist ends together**
- C) Solder**
- D) Tape**

- 1** Locate the factory wiring harness in the dash. Metra recommends using the proper mating adapter and making connections as shown. (Isolate and individually tape off the ends of any unused wires to prevent electrical short circuit.)
- 2** Re-connect the negative battery terminal and test the unit for proper operation.
- 3** Reassemble radio and dash assemblies in reverse order of disassembly.

FINAL WIRING CONNECTIONS

Make wiring connections using the EIA color code chart shown below and the instructions included with the head unit. Metra recommends making connections as shown below; Strip, Splice, Solder, Tape. Isolate and individually tape off ends of any unused wires to prevent electrical short circuit.

METRA / EIA WIRING CODE

| | |
|------------------------------------|---|
| 12V Ignition / Acc. Red | Right Front (+) Gray |
| 12V Batt / Memory Yellow | Right Front (-) Gray/ Black |
| Ground Black* | Left Front (+) White |
| Power Antenna Blue | Left Front (-) White / Black |
| Amp Turn-On Blue / White | Right Rear (+) Violet |
| Amp Ground Black / White | Right Rear (-) Violet / Black |
| Illumination Orange | Left Rear (+) Green |
| Dimmer Orange / White | Left Rear (-) Green / Black |

***NOTE:** When a Black wire is not present, ground radio to vehicle chassis.
All colors may not be present on all leads due to manufacturer's specifications.

99-8154 INSTRUCTIONS



1-800-221-0932



www.metraonline.com

REV. 10/26/07 © COPYRIGHT 2004-2007 METRA ELECTRONICS CORPORATION INST99-8154