



## INSTALLATION INSTRUCTIONS FOR PART 99-8226B

### APPLICATIONS

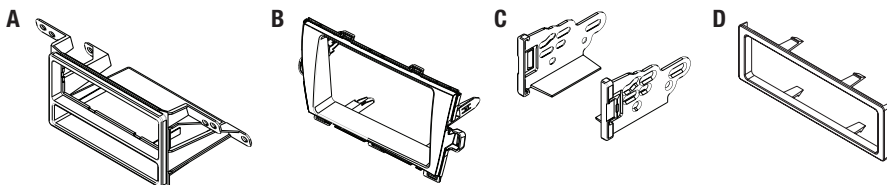
# Toyota Prius 2010-up 99-8226B

### KIT FEATURES

- DIN head unit provision with pocket
- ISO DIN head unit provision with pocket
- *Painted scratch resistant Matte Black*

### KIT COMPONENTS

- A) Radio Housing • B) Radio Housing Trim Panel • C) ISO Brackets • D) ISO Trim Plate



### WIRING & ANTENNA CONNECTIONS (Sold Separately)

Wiring Harness:

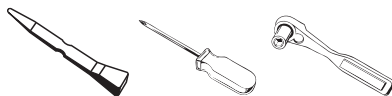
- 70-1761 Toyota harness 1987-up
- TYTO-01 Toyota premium sound interface 2003-up

Antenna Adapter:

- Not Required

### TOOLS REQUIRED

Panel Removal Tool • Phillips Screwdriver • Socket Wrench



**METRA. THE WORLD'S BEST KITS.™**



**1-800-221-0932**



**metraonline.com**

© COPYRIGHT 2004-2011 METRA ELECTRONICS CORPORATION



99-8226B

## Table of Contents

### Dash Disassembly

– Toyota Prius 2010-up .....3

### Kit Assembly

– DIN head unit provision with pocket .....4

– ISO DIN head unit provision with pocket .....5

### Caution

*Metra recommends disconnecting the negative battery terminal before beginning any installation. All accessories, switches, and especially air bag indicator lights must be plugged in before reconnecting the battery or cycling the ignition.*

*\*NOTE: Refer also to the instructions included with the aftermarket radio.*



#### KNOWLEDGE IS POWER

Enhance your installation and fabrication skills by enrolling in the most recognized and respected mobile electronics school in our industry. Log onto [www.installerinstitute.com](http://www.installerinstitute.com) or call 800-354-6782 for more information and take steps toward a better tomorrow.

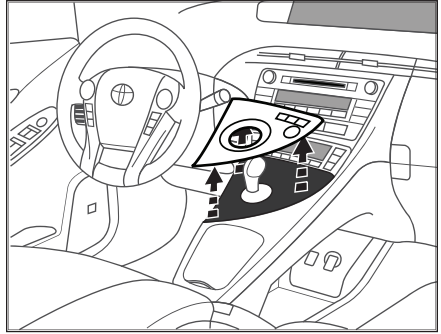


**Metra recommends MECP certified technicians**

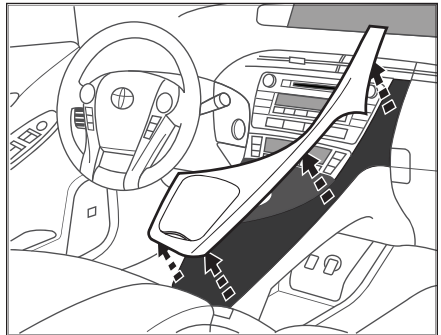
## Dash Disassembly

1. Unsnap and remove the shifter trim. (Figure A)
2. Unsnap and remove the console panel (extends from the pocket up the passenger side to the upper vents). (Figure B)
3. Unsnap the ignition button trim panel (not necessary to remove). (Figure C)
4. Unsnap and remove the radio/ climate trim panel. (Figure C)
5. Remove (4) 10 mm bolts to remove the radio.

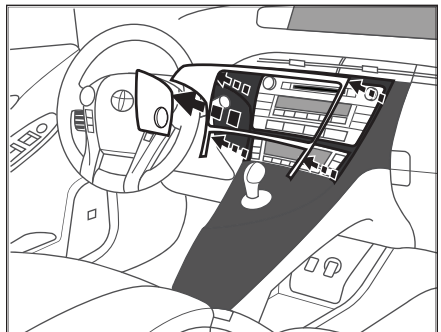
*Continue to kit assembly*



(Figure A)



(Figure B)



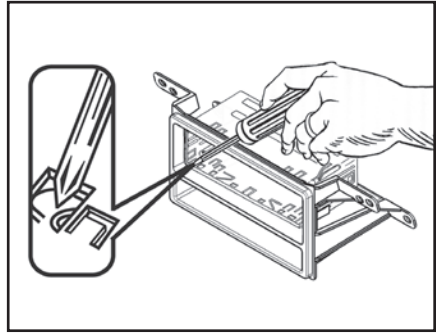
(Figure C)



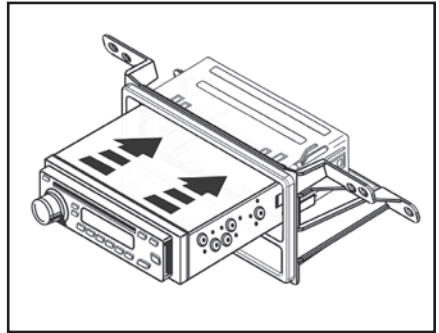
## Kit Assembly 99-8226B

### DIN head unit provision with pocket

1. Locate the factory wiring harness in the dash. Metra recommends using the proper mating adapter from Metra or AXXESS. Re-connect the negative battery terminal and test the unit for proper operation.
2. Slide the DIN cage into the radio housing and secure by bending the metal locking tabs down. (Figure A)
3. Slide the aftermarket head unit into the cage and secure. (Figure B)
4. Mount the radio assembly into the dash, snap the radio housing trim panel over that, and reassemble the dash in reverse order of disassembly.



(Figure A)



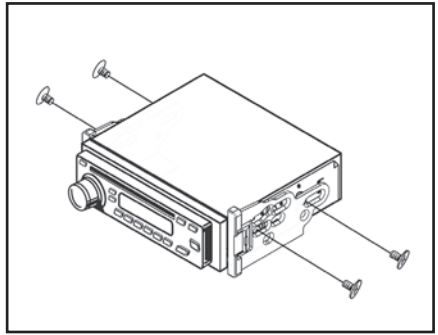
(Figure B)



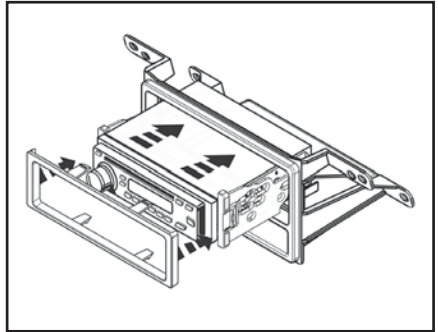
## Kit Assembly 99-82268

### ISO DIN head unit provision with pocket

1. Locate the factory wiring harness in the dash. Metra recommends using the proper mating adapter from Metra or AXXESS. Re-connect the negative battery terminal and test the unit for proper operation.
2. Mount the ISO brackets to the head unit with the screws supplied with the unit. (Figure A)
3. Slide the head unit into the radio opening until the side clips engage. (Figure B)
4. Snap the trim plate into the radio housing. (Figure B)
5. Mount the radio assembly into the dash, snap the radio housing trim panel over that, and reassemble the dash in reverse order of disassembly.



(Figure A)



(Figure B)







**INSTALLATION INSTRUCTIONS FOR PART 99-8226B**

REV. 5/24/11

**METRA. THE WORLD'S BEST KITS.™**



**1-800-221-0932**



**metraonline.com**

© COPYRIGHT 2004-2011 METRA ELECTRONICS CORPORATION