



Subaru Ascent 2019-up

Visit MetraOnline.com for more detailed information about the product and up-to-date vehicle specific applications

KIT FEATURES

- ISO DIN radio provision with pocket
- Painted gloss black

KIT COMPONENTS

- A) Radio trim panel • B) Radio brackets • C) Pocket • D) #8 x 3/8" Phillips screws (4) • E) Panel clips (4)

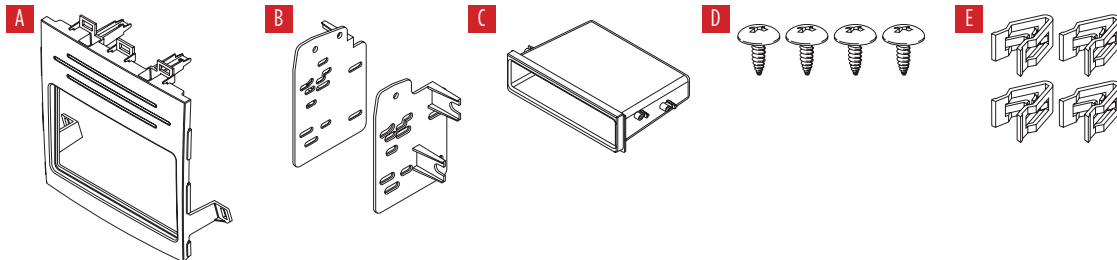


TABLE OF CONTENTS

Dash Disassembly	2
Kit Preparation	2
Kit Assembly	3

WIRING & ANTENNA CONNECTIONS (sold separately)

Wiring Harness: 70-1761

Antenna adapter: 40-LX11

Steering wheel control interface: ASWC-1

TOOLS REQUIRED

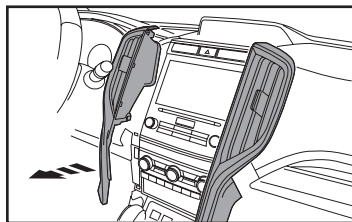
- Panel removal tool • Phillips screwdriver
- 10mm socket wrench

Attention! Let the vehicle sit with the key out of the ignition for a few minutes before removing the factory radio. When testing the aftermarket equipment, ensure that all factory equipment is connected before cycling the key to ignition.

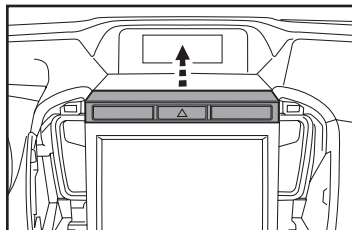
DASH DISASSEMBLY

1. Unclip and remove the a/c vent panels to the left and right of the radio. (Figure A)
2. Unclip the hazard switch panel, then set it on top the dash. (Figure B)
3. Remove (4) 10mm screws securing the radio. Slide the radio out, then unplug and remove the radio. (Figure C)

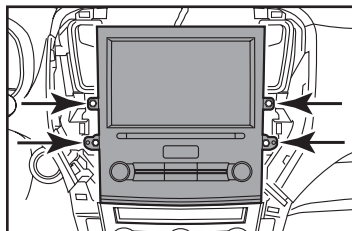
Continue to Kit Preparation



(Figure A)



(Figure B)



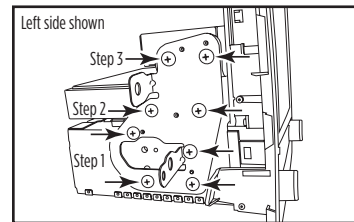
(Figure C)

KIT PREPARATION

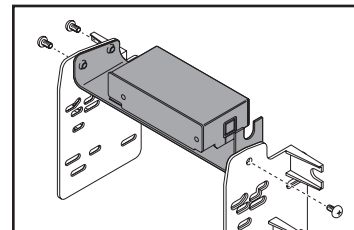
From the factory radio brackets:

1. Loosen (8) Phillips screws securing the radio. (Figure A)
2. Remove (4) Phillips screws securing the lower electronic module then remove. (Figure A)
3. Remove (3) screws securing the upper electronic module then remove. (Figure A)
4. Relocate the lower electronic module in the radio cavity, down low. It should fit snugly, but if not, secure with zip ties. Connect the wiring harness in the vehicle back to the module.
5. Secure the upper electronic module to the radio brackets using the factory screws. (Figure B)
6. Attach (4) panel clips to the radio trim panel. (Figure C)

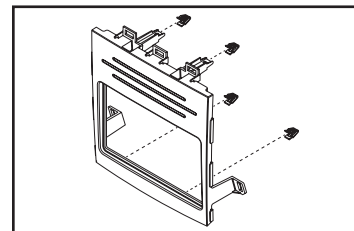
Continue to Kit Assembly



(Figure A)



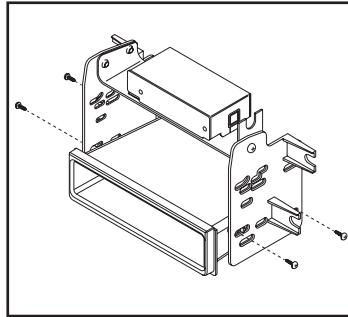
(Figure B)



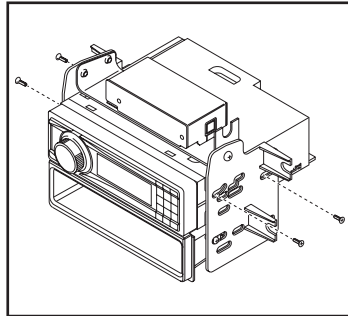
(Figure C)

KIT ASSEMBLY

1. Secure the **pocket** to the **radio brackets** using (4) #8 x 3/8" Phillips screws provided. (Figure A)
2. Remove the metal DIN sleeve and trim ring from the aftermarket radio.
3. Slide the radio into the bracket/pocket assembly, then secure it using the screws supplied with the radio. (Figure B)
4. Locate the factory wiring harness and antenna connector in the dash and complete all necessary connections to the radio. Metra recommends using the proper mating adapter from Metra and/or Axxess. Test the radio for proper operation.

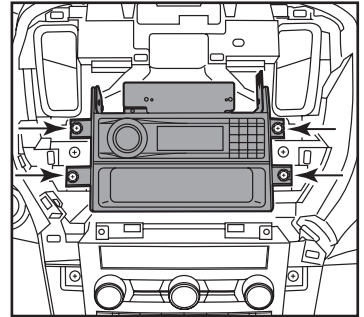


(Figure A)



(Figure B)

5. Connect the upper electronic module back to the wiring harness in the vehicle, then slide the radio into the dash. Secure the radio using the factory screws. (Figure C)
6. Reassemble the dash in reverse order of disassembly to complete the installation.



(Figure C)



99-8911HG
INSTALLATION INSTRUCTIONS



If you are having difficulties with the installation of this product, contact our Tech Support line either by phone at **1-800-253-TECH**, or email at **techsupport@metra-autosound.com**. Before doing so, look over the instruction booklet a second time and ensure that the installation was performed exactly as the instruction booklet is stated. Have the vehicle apart and ready to perform troubleshooting steps before contacting Metra/Axxess Tech Support.



KNOWLEDGE IS POWER

Enhance your installation and fabrication skills by enrolling in the most recognized and respected mobile electronics school in our industry. Log onto www.installerinstitute.com or call 800-354-6782 for more information and take steps toward a better tomorrow.



Metra recommends MECP certified technicians