



INSTALLATION INSTRUCTIONS FOR PART 99-9401

APPLICATIONS

Land Rover Freelander 2004-2006 99-9401

KIT FEATURES

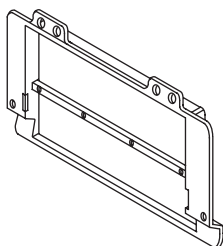
- DIN head unit provision with removable pocket

KIT COMPONENTS

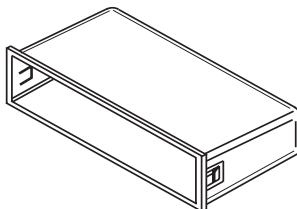
- A) Radio Housing • B) Pocket



A



B



WIRING & ANTENNA CONNECTIONS (Sold Separately)

Wiring Harness:

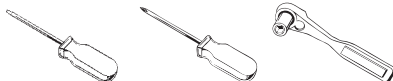
- 70-9500 Land Rover wire harness

Antenna Adapter:

- Not Required

TOOLS REQUIRED

Small Flat blade Screwdriver • Phillips Screwdriver • Socket Wrench



METRA. THE WORLD'S BEST KITS.™



1-800-221-0932



metraonline.com

© COPYRIGHT 2004-2011 METRA ELECTRONICS CORPORATION



99-9401

Table of Contents

Dash Disassembly

– Land Rover Freelander 2004-2006 3-5

Kit Assembly

– DIN head unit provision 6

Caution

Metra recommends disconnecting the negative battery terminal before beginning any installation. All accessories, switches, and especially air bag indicator lights must be plugged in before reconnecting the battery or cycling the ignition.

**NOTE: Refer also to the instructions included with the aftermarket radio.*



KNOWLEDGE IS POWER

Enhance your installation and fabrication skills by enrolling in the most recognized and respected mobile electronics school in our industry. Log onto www.installerinstitute.com or call 800-354-6782 for more information and take steps toward a better tomorrow.

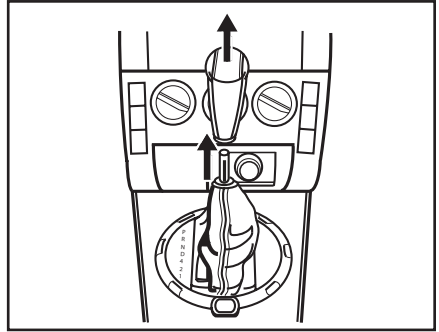


Metra recommends MECP certified technicians

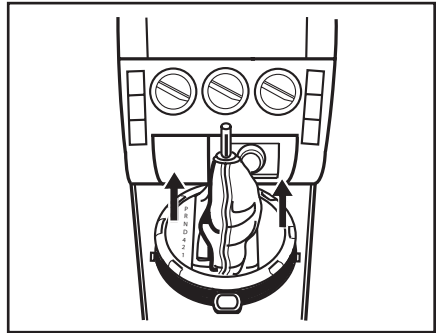
Dash Disassembly

1. Put gear shifter into neutral position then remove shift knob. (Figure A)
2. Unclip and remove gear shifter trim panel. (Figure B)
3. Unclip and remove rear ashtray panel from back of center console. (Figure C)

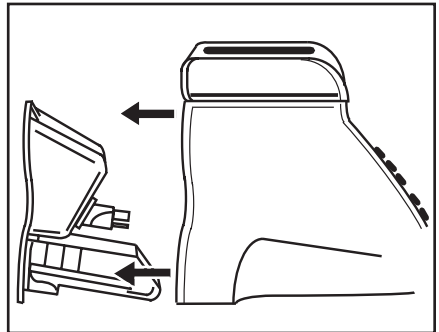
Continued on next page



(Figure A)



(Figure B)

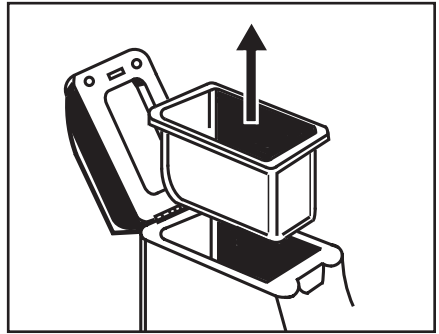


(Figure C)

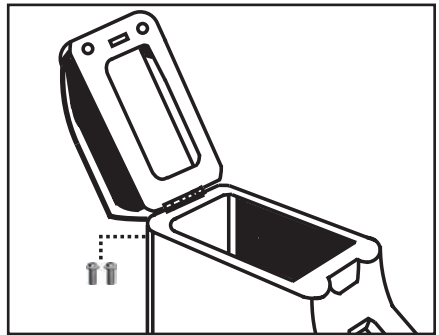
Dash Disassembly

4. Open center console lid and remove cubby box. (Figure D)
5. Remove the (2) screws securing the rear of the center console. (Figure E)
6. Remove the screw cover in front of the window switches then remove the (2) screws exposed underneath. (Figure F)

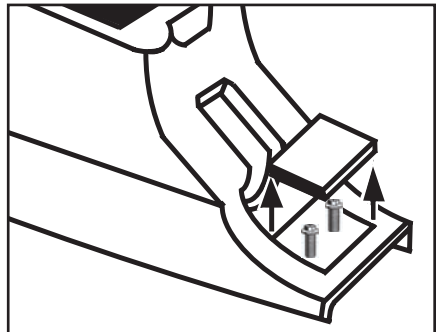
Continue to next page



(Figure D)



(Figure E)

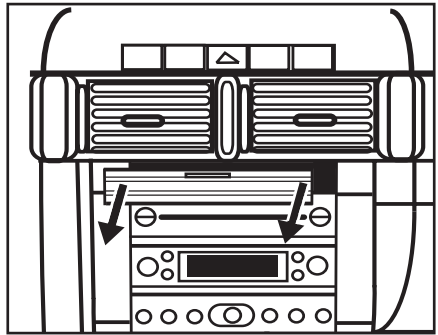


(Figure F)

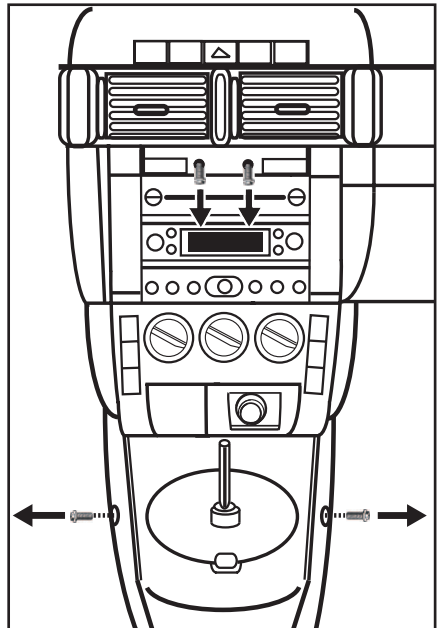
Dash Disassembly

7. Unclip and remove the upper console finisher panel between the a/c vents and radio. (Figure G)
8. Remove the (4) screws securing the center console. (Figure H)
9. Remove the (2) screws securing the radio. (Figure H)

Continue to kit assembly



(Figure G)



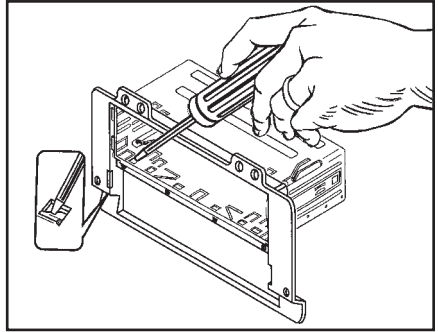
(Figure H)



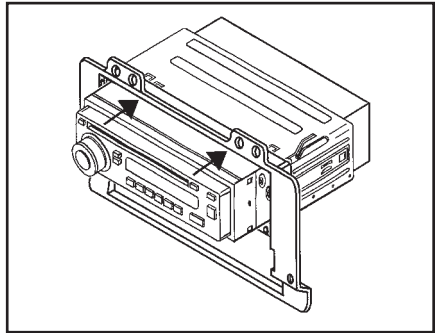
Kit Assembly 99-9401

DIN head unit provision

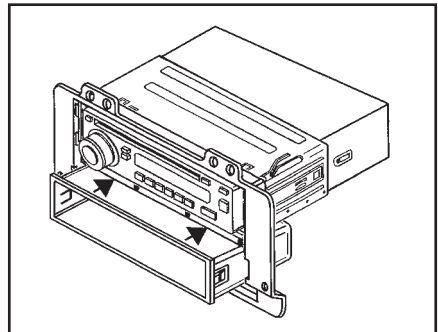
1. Locate the factory wiring harness in the dash. Metra recommends using the proper mating adapter from Metra or AXXESS. Re-connect the negative battery terminal and test the unit for proper operation.
2. Slide the DIN cage into the radio housing and secure by bending the metal locking tabs down. (Figure A)
3. Slide the aftermarket head unit into the DIN cage until secure. (Figure B)
4. Slide the included pocket into the radio housing until secure. (Figure C)
5. Reassemble dash in reverse order of disassembly.



(Figure A)



(Figure B)



(Figure C)



INSTALLATION INSTRUCTIONS FOR PART 99-9401

REV. 5/24/11



1-800-221-0932



metraonline.com

© COPYRIGHT 2004-2011 METRA ELECTRONICS CORPORATION