



INTERFACE COMPONENTS

- AXDSPX-A2B1 interface
- AXDSPX-A2B1 harness
 - AXDSPX-A2B1 interface harness (male connectors: 12-pin, 16-pin)
 - Amplifier bypass harness (female connectors: 16-pin, 16-pin)
- Radio T-harness
- AXBK-1

A2B Data Interface with Amplifier Bypass Harness & DSP

Visit Axxessinterfaces.com for current application list.

Visit MetraOnline.com and Axxessinterfaces.com for harness and interface options.

INTERFACE FEATURES

- Designed for Sony A2B amplifiers
- A2B data interface with AXDSP-X (digital signal processor) built-in
- Includes an amplifier bypass harness
- Retains factory chimes including parking sensor chimes
- Retains SYNC voice prompts
- All chimes/voice prompts go through the aftermarket amplifier and/or cluster
- Adjustable chime level
- Micro-B USB updatable

Metraonline.com



TABLE OF CONTENTS

Connections.....	2-3
Installation	4
LED Feedback	6

TOOLS REQUIRED

- Crimping tool and connectors, or solder gun, solder, and heat shrink • Tape • Wire cutter
- Zip ties

Google Play Store



Apple App Store
iOS 12.1 or higher

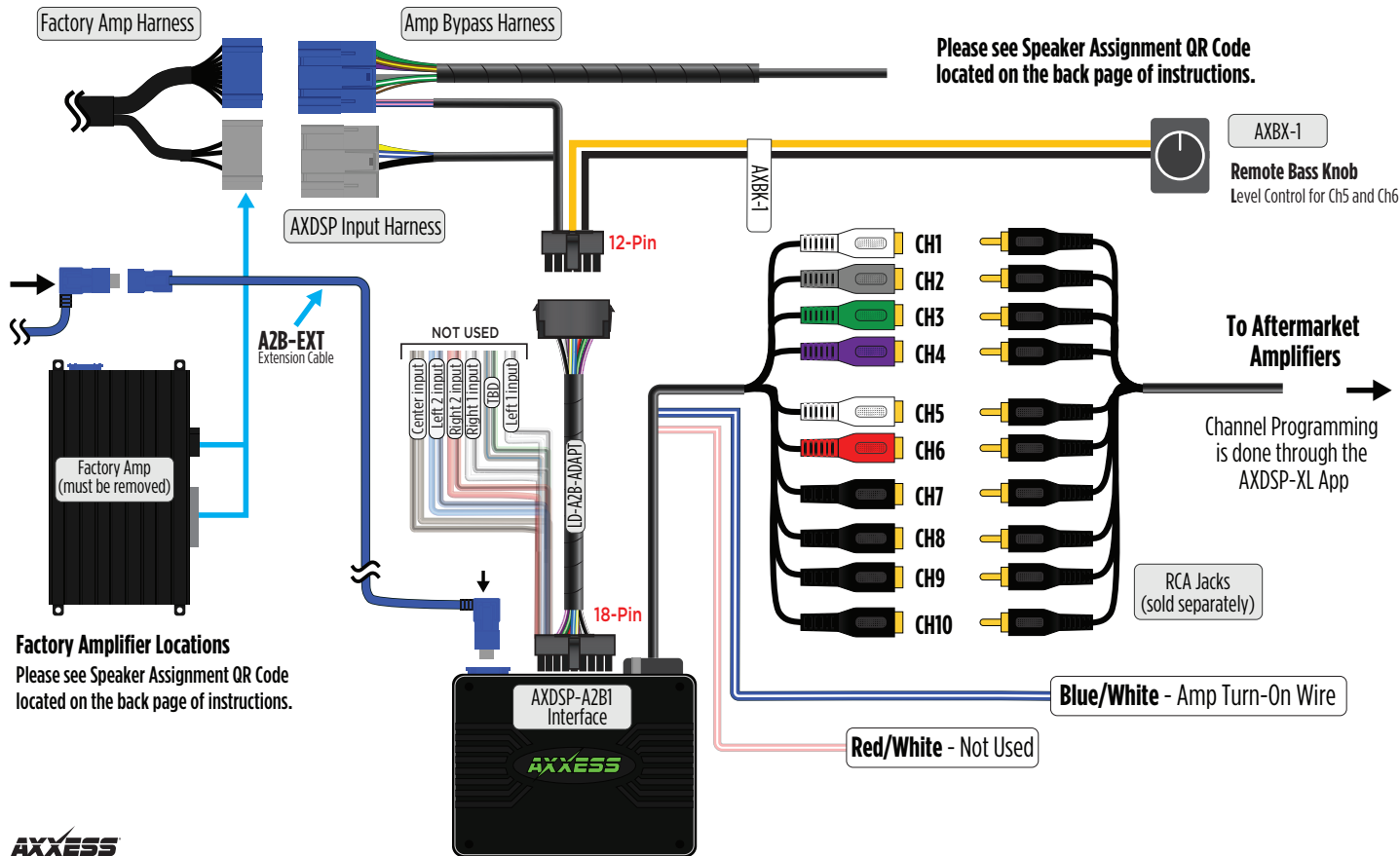


ATTENTION: With the key out of the ignition, disconnect the negative battery terminal before installing this product. Ensure that all installation connections, especially the air bag indicator lights, are plugged in before reconnecting the battery or cycling the ignition to test this product.

NOTE: Refer also to the instructions included with the aftermarket radio.

For Dash Disassembly Instructions, refer to Metraonline.com. Enter the year, make, and model of the vehicle in the **Vehicle Fit Guide for Radio Install kits**.

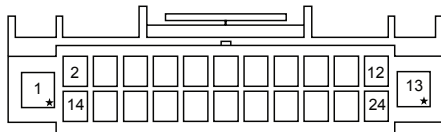
CONNECTIONS TO BE MADE AT THE FACTORY AMPLIFIER'S LOCATION



CONNECTIONS TO BE MADE AT THE FACTORY RADIO'S LOCATION (CONT)

Wire Insertion View

Viewed from where the wires go into the connector



LD-FDSPK1

22 Pin

Interface kit includes a T-harness to tap into the speakers powered from the vehicle radio chassis

Factory Radio Harness

NOTE: For Factory Amplifier Locations, please see **Speaker Assignment QR Code** located on the back page of these instructions.

Run speaker wires to aftermarket amplifier(s)

Located Behind Dash

Factory Radio Chassis

T-Harness
Installation
Location

To OE Speakers

INSTALLATION

1. Locate the factory amp (*), unplug all connectors, then remove the amp.
2. Install the **AXDSPX-A2B1 harness** and make all necessary connections, but leave the amp turn-on wire disconnected.
Note: Ensure the USB connector from the factory amp is connected to the AXDSPX-A2B1.
3. Plug the 12-pin and 16-pin connectors from the **AXDSPX-A2B1 harness** into the **AXDSPX-A2B1 interface**.
4. Download and install the AXDSP-X app from the **Google Play Store** or **Apple App Store**.
5. Open the app and follow the instructions on the **Bluetooth Connection** tab to pair the mobile device to the AXDSPX-A2B1. (Figure A)
6. Scroll to the **Configuration** tab then select the vehicle type. Press the **Lock Down** button to save the configuration. (Figure B)
7. Connect the amp turn-on wire from the **AXDSPX-A2B1 harness**.
8. Click the **Identify** button to confirm that the AXDSPX-A2B1 is connected properly. If so, a chime will be heard from the front left speaker or gauge cluster. Test all functions of the installation for proper operation.
9. Adjust the DSP settings in the app as desired. Refer to the instructions under the **Setup Instructions** tab, or online at Axxessinterfases.com for an explanation of each tab in the app.

Note: In these vehicles the factory radio powers some speakers.

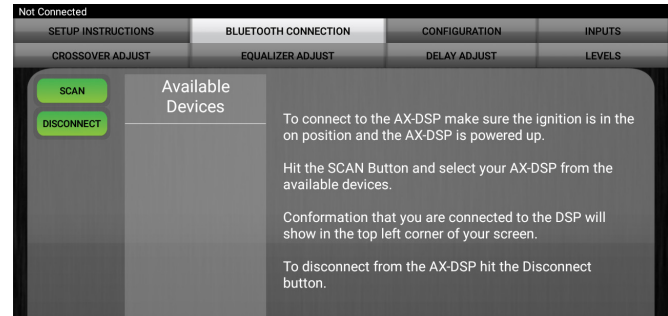
Escape: Front tweeters / Center channel

Fusion: Front tweeters / Front center channel / Rear center channel

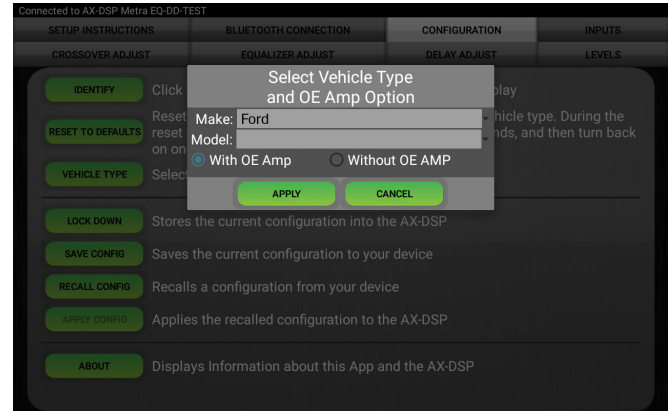
(*) Amplifier Location

Escape: Behind the left rear quarter panel

Fusion: Behind the right rear quarter panel



(Figure A)



(Figure B)

A2B LED FEEDBACK

LED FEEDBACK	1 blink every 5 seconds = All good
	2 blinks every 5 seconds = No A2B signal
	3 blinks every 5 seconds = No CAN communication

Visit [AxxessInterfaces.com](https://www.AxxessInterfaces.com) for more detailed information about the product and up-to-date vehicle specific applications

Speaker Assignment



Metra recommends MECP certified technicians

Having difficulties? We're here to help.



Contact our Tech Support line at:

386-257-1187



Or via email at:

techsupport@metra-autosound.com

Tech Support Hours (Eastern Standard Time)

Monday - Friday: 9:00 AM - 7:00 PM

Saturday: 10:00 AM - 5:00 PM

Sunday: 10:00 AM - 4:00 PM