



## Ford Data Interface 2019-Up

### INTERFACE FEATURES

- Provides accessory power (12 volt 10 amp)
- Retains R.A.P. (retained accessory power)
- Provides illumination, parking brake, reverse, and speed sense outputs
- Prewired AXSWC harness (AXSWC sold separately)
- Designed for non-amplified models only
- Retains balance and fade
- Micro-B USB updatable

**Note:** The AXVI-FD3 does not retain SYNC.

### INTERFACE COMPONENTS

- AXVI-FD3 Interface
- AXVI-FD3 Harness

### APPLICATIONS

<b>Ford</b>		
E Series .....	2021-Up	Escape .....
Eco Sport .....	2020-Up	F250/F350/F450/F550... 2020-Up
		Transit .....
		Transit Connect.....

### Product Info



### TABLE OF CONTENTS

Connections .....	2
Installation .....	3
Programming .....	3

### TOOLS & INSTALLATION ACCESSORIES REQUIRED

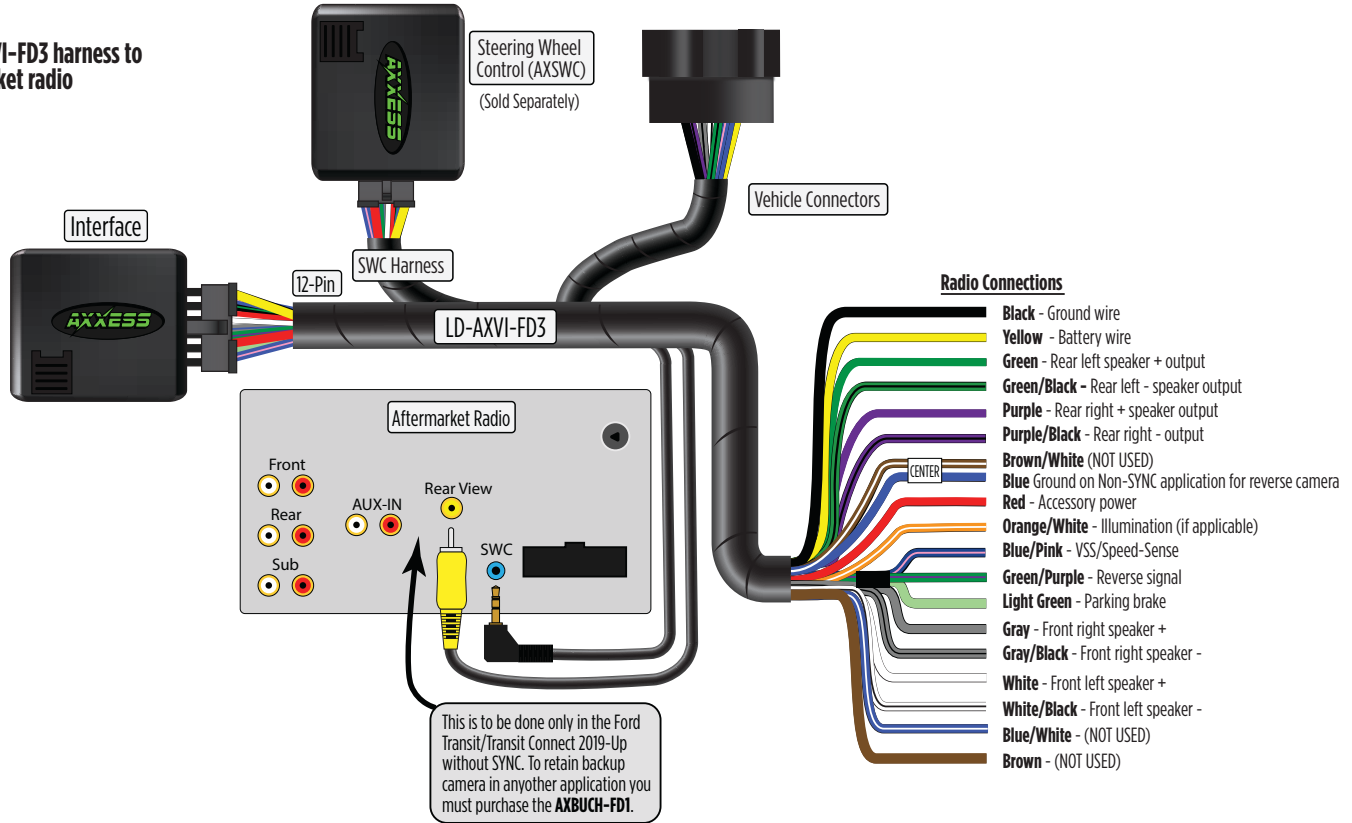
- Crimping tool and connectors, or solder gun, solder, and heat shrink
- Tape
- Wire cutter
- Zip ties
- Multimeter tester

Visit [AxxessInterfaces.com](http://AxxessInterfaces.com) for more detailed information about the product and up-to-date vehicle specific applications.

**ATTENTION:** With the key out of the ignition, disconnect the negative battery terminal before installing this product. Ensure that all installation connections are secure before cycling the ignition to test this product.  
**NOTE:** Refer also to the instructions included with the aftermarket radio.

# CONNECTIONS

From the AXVI-FD3 harness to the aftermarket radio



## INSTALLATION

### With the key in the off position:

1. Connect the **AXVI-FD3 harness** into the **AXVI-FD3 interface**, and then to the wiring harness in the vehicle.

**Note:** If installing an AXSWC, connect it after you program and test the AXVI-FD3, with the key in the off position.

## PROGRAMMING

**Attention!** If the interface loses power for any reason, the following steps will need to be performed again.

1. Cycle the engine on.

**Note:** If the radio doesn't come on within 60 seconds, turn the key to the off position, disconnect the interface, check all connections, reconnect the interface, and then try again.

2. Cycle the ignition off, then back on.
3. Test all functions of the installation for proper operation.



# AXVI-FD3

INSTALLATION INSTRUCTIONS

Having difficulties? We're here to help.



Contact our Tech Support line at:

**386-257-1187**



Or via email at:

[techsupport@metra-autosound.com](mailto:techsupport@metra-autosound.com)

### **Tech Support Hours (Eastern Standard Time)**

Monday - Friday: 9:00 AM - 7:00 PM

Saturday: 10:00 AM - 7:00 PM

Sunday: 10:00 AM - 4:00 PM



### **KNOWLEDGE IS POWER**

Enhance your installation and fabrication skills by enrolling in the most recognized and respected mobile electronics school in our industry. Log onto [www.installerinstitute.edu](http://www.installerinstitute.edu) or call 386-672-5771 for more information and take steps toward a better tomorrow.



**Metra recommends MECP  
certified technicians**