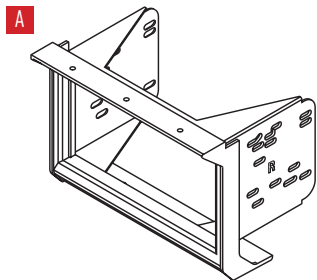




### KIT COMPONENTS

- A) Radio housing • B) Phillips screws (5)



## Polaris RZR 2014-Up

Visit [MetraOnline.com](http://MetraOnline.com) for more detailed information about the product and up-to-date vehicle specific applications

### KIT FEATURES

- ISO DDIN radio provision
- Replaces pocket/cover-plate
- Textured to match factory finish

### TABLE OF CONTENTS

Dash Disassembly .....	2
Kit Assembly .....	3

### TOOLS REQUIRED

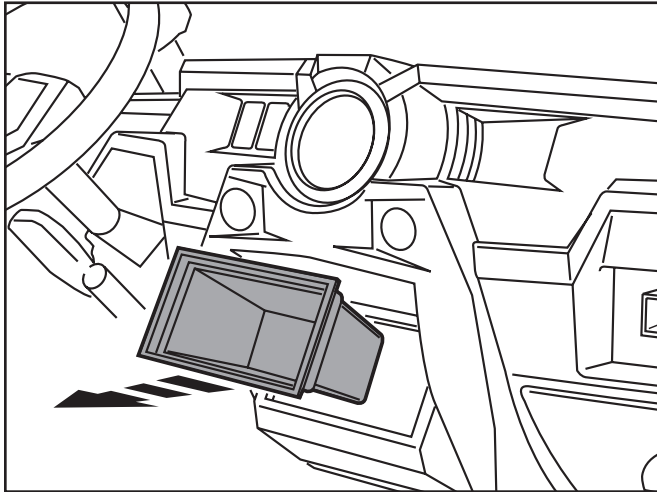
- Panel removal tool • Phillips screwdriver
- 1/8" drill bit

**Attention!** Let the vehicle sit with the key out of the ignition for a few minutes before removing the factory radio. When testing the aftermarket equipment, ensure that all factory equipment is connected before cycling the key to ignition.

## DASH DISASSEMBLY

1. Remove the pocket from the lower dashboard. (Figure A)

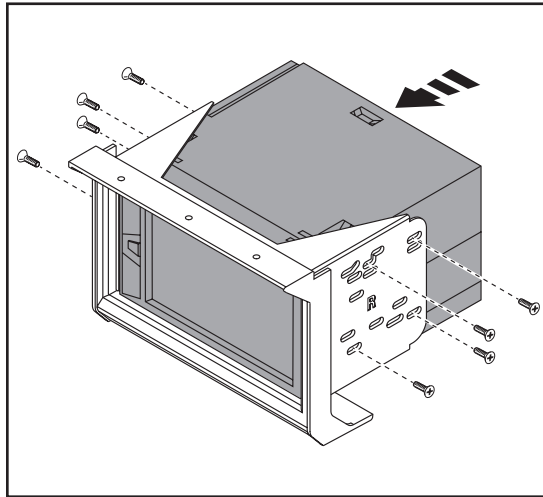
*Continue to Kit Assembly*



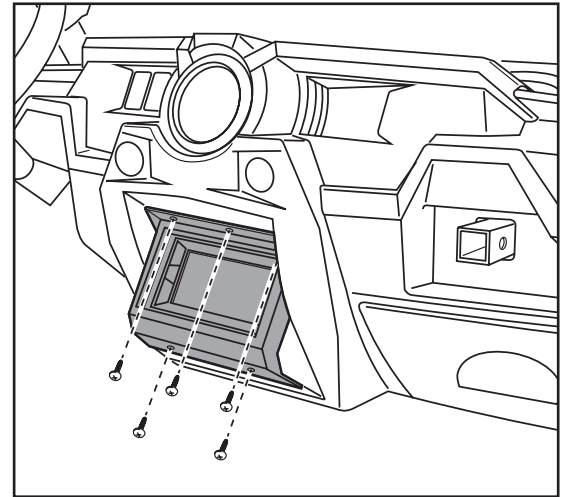
(Figure A)

## KIT ASSEMBLY

1. Slide the radio into the **radio housing**, then secure using screws supplied with the radio. (Figure A)
2. Complete all necessary connections to the radio, then test the radio for proper operation. Use Metra part number 44-UA20 (sold separately) for an AM/FM antenna.
3. Slide the radio assembly into the dash. Pre-drill (5) pilot holes in the dash using a 1/8" drill bit. Using a manual screwdriver, secure the radio assembly to the dash using (5) Phillips screws provided. Do not overtighten! (Figure B)



(Figure A)



(Figure B)



# MPS-RZR01

INSTALLATION INSTRUCTIONS



If you are having difficulties with the installation of this product, contact our Tech Support line either by phone at **386-257-1186**, or email at **techsupport@metra-autosound.com**. Before doing so, look over the instruction booklet a second time and ensure that the installation was performed exactly as the instruction booklet is stated. Have the vehicle apart and ready to perform troubleshooting steps before contacting Metra/Axxess Tech Support.



### KNOWLEDGE IS POWER

Enhance your installation and fabrication skills by enrolling in the most recognized and respected mobile electronics school in our industry. Log onto [www.installerinstitute.com](http://www.installerinstitute.com) or call 800-354-6782 for more information and take steps toward a better tomorrow.



**Metra recommends MECP certified technicians**