



Adjustable spare tire camera kit

Universal 5 and 6 lug pattern system

Visit iBeamUSA.com to view the available installation parts and accessories.

Scan QR code to see YouTube playlist videos from iBeam.



Specifications

- High quality metal bracket
- 110 degree viewing angle
- 1/4 inch CMOS/AHD camera
- 0.6 lux night vision
- Water resistant – Rated IP68

Features

The versatile bracket of the TE-ASTCAM is specifically designed to mount securely to the factory studs of the spare wheel with over 200 vehicle applications. The bracket's camera stem can be adjusted both side-to-side and up and down, Additionally, the head of the bracket is bendable to achieve the perfect angle adjustment to see over the spare tire.

What's in the box:

- A) Adjustable bracket** **B) Camera and wires** **C) Push nuts**

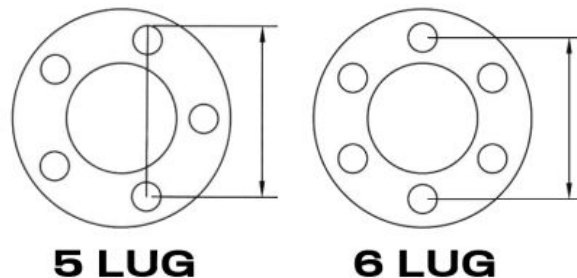


If you are having difficulties with the installation of this product, please call our **Tech Support** line at **386-257-1187**. Before doing so, look over the instructions a second time, and make sure the installation was performed exactly as the instructions are stated. *Please have the vehicle apart and ready to perform troubleshooting steps before calling.*

BRAND	MODEL	YEAR RANGE	BOLT PATTERN
Fits Jeep			
	Wrangler JL	2018-Up	5x5
	Wrangler JK	2007-2018	5x5
	Wrangler TJ	1997-2006	5x4.5
	Wrangler YJ	1987-1995	5x4.5
	Liberty KJ	2001-2007	5x4.5
Fits Ford			
	Bronco	2021-Up	6x5.5
Fits Toyota			
	landcruiser 60Series	1980-1990	6x5.5
	landcruiser 70Series	1987-2022	6x5.5
	Landcruiser 80/90Series	1989-2002	6x5.5
	FJ Cruiser	2007-2014	6x5.5
	Rav 4	1996-2005	5x4.5
Fits Honda			
	CR-V	1995-2005	5x4.5
	Passport	1994-1997	6x5.5
	Passport	1998-2002	5x4.5
Fits Isuzu			
	Amigo	1989-2004	6x5.5
	Rodeo	1998-2004	6x5.5
	Trooper	1991-2002	6x5.5
	Trooper II	1988-1990	6x5.5

BRAND	MODEL	YEAR RANGE	BOLT PATTERN
Fits Suzuki			
	Vitara	1988-1998	5x5.5
	Grand Vitara	1998-2004	5x5.5
	Grand Vitara	2005-2012	5x4.5
	Jimny	1987-Up	5x5.5
	Samurai	1984-1997	5x5.5
	Sidekick	1989-1998	5x5.5
Fits Landrover			
	Defender	2019-2024	5x4.75
	Defender	1990-2016	5x6.5

Universal 5 and 6 lug fitment



Compatible with most OEM and aftermarket rear tire carriers



Factory tire carrier



Swingout aftermarket tire carrier

Tire removal and camera Installation:

NOTE: We're using a Jeep in this example, but most spare tire carriers should be similar.

1. Remove the spare tire, then run the wire for the camera through the bracket. But **DO NOT** insert in the camera until installed and visually verified working. Run the wire through the spare tire mount and through the grommet following the factory brake light wiring. (Figures A & B)
2. Install the (2) push nuts provided onto the top two spare tire studs to hold the bracket in place without the tire being installed. (Figure C)
3. Remove the panel from the tailgate, then run the camera wire into the vehicle, following the factory wire loom. (Figure D)
4. Once the camera wire is secure and cable tied to the factory wiring, re-install the panel back to the tailgate.
5. Route the camera wiring through the vehicle and onto the radio cavity.



(Figure A)



(Figure C)



(Figure B)



(Figure D)

Connections:

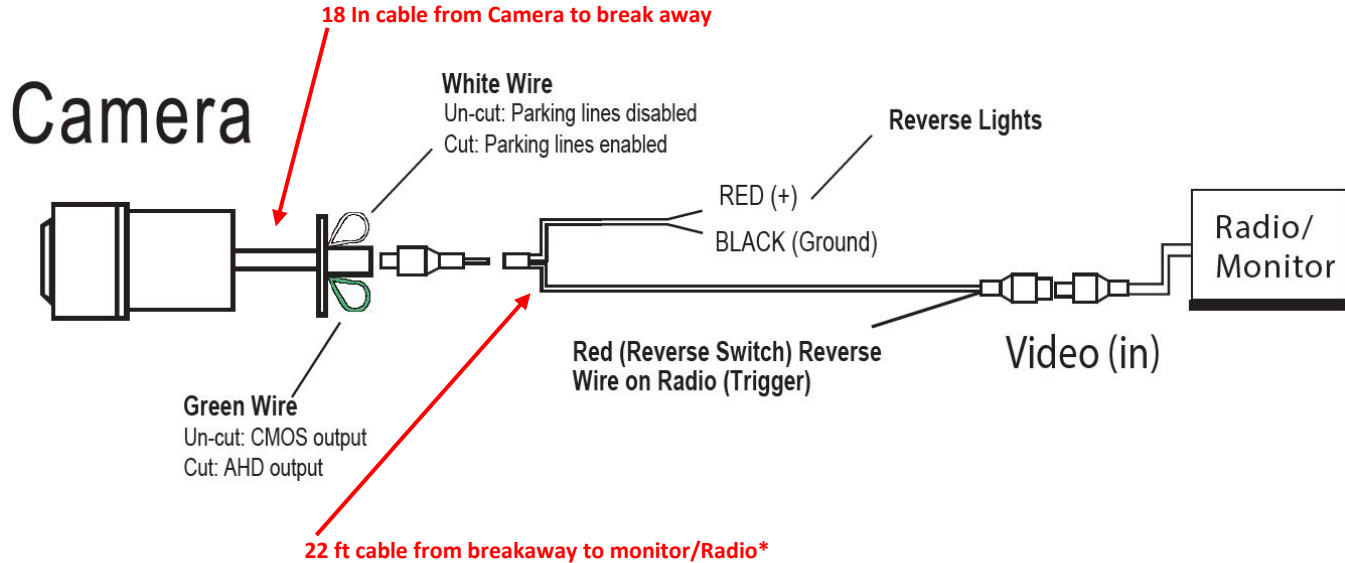


(Figure E)

1. On the camera end of the extension cable connect:
 - **RED** wire to the +12 volt reverse wire.
 - **BLACK** wire to ground (a metal, non-painted surface).
2. Run the extension cable through vehicle, up to video display. (Avoid placing video cable where it can get pinched or damaged).
3. Attach the **YELLOW** video RCA to the reverse camera input of the video display. Connect the **RED** wire to the display's reverse trigger.

OPTIONAL

- Cut **WHITE** wire loop on camera to enable parking lines
 - Cut **GREEN** wire loop on camera to enable AHD output
(only if using AHD display)
4. Plug camera into extension cable.
 5. With engine off and emergency brake on, place vehicle in reverse to activate the monitor and camera, orient camera, then press into mounting hole once the picture is correct. (Figure E)



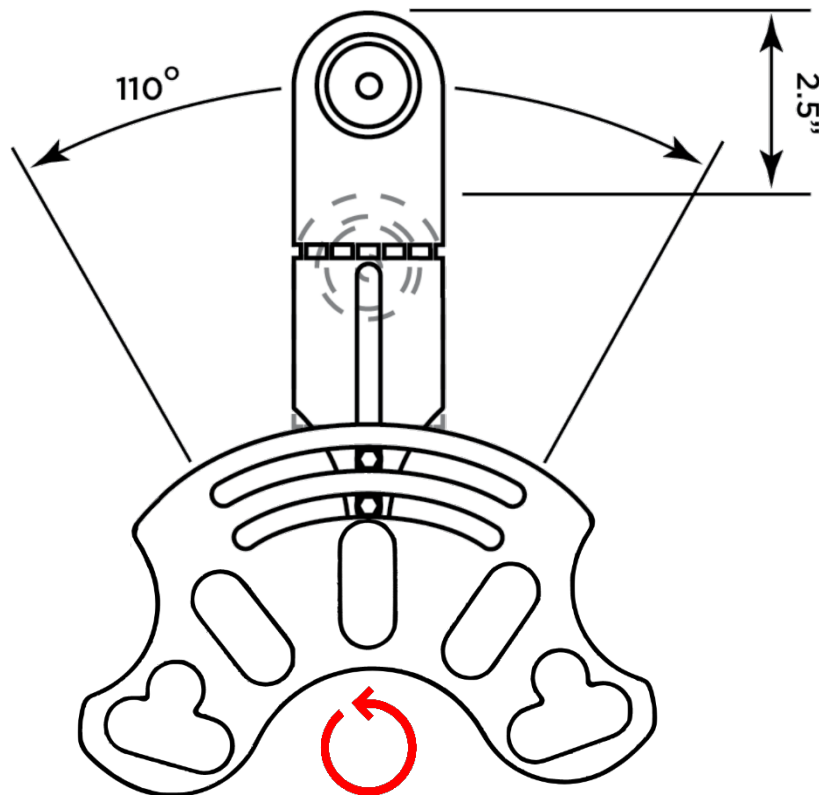
**If more length is needed use:*

MPS-ECR36: 36 inch extension cable

MPS-ECR72: 72 inch extension cable

Specifications:

Sensor	H63 CMOS
Effective Pixel	AHD: 1280H x 720V CMOS: 720H x 480V
Video Signal	NTSC
Resolution	AHD: 720 CMOS: 480
S/N Ratio	>52db
Current Consumption	110 mA
Power Supply	DC 9-12V
Operating Temp	-22° to 158° F
Viewing Angle	110°
Water-Proof	IP68
Min. Illumination	.05 Lux



Bracket can be positioned in any direction

Thank you for your purchase. If you have any questions, comments, feedback on the product, please contact our tech support email via techsupport@metra-autosound.com.

Don't forget to Visit iBEAM.com to view other safety systems from iBeam and Metra.

