

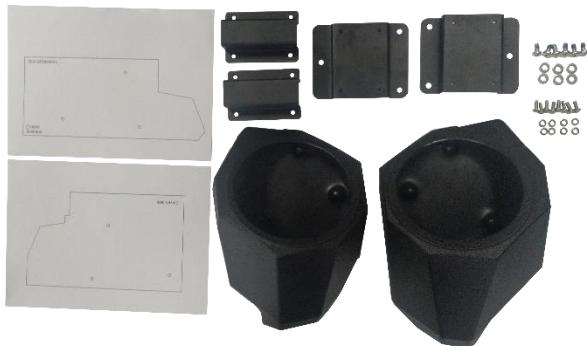
## CanAm **X3 MAVERICK 2017-UP**

Visit [metrapowersports.com](http://metrapowersports.com) to view the available installation parts and ATV/UTV accessories.

### **KIT FEATURES**

---

- Unloaded front speaker pods for X3 Maverick
- Constructed of durable and UV protected HDPE
- Mounting hardware included
- Fits 6.5" speakers
- 1-year limited warranty



#### **WHAT'S IN THE BOX**

---

- (2) Speaker pods
- (2) two-piece brackets
- (6) M6X1.0 Screws, M6 washers
- (8) M5 Screws, M5 washers
- L and R Templates

#### **Having difficulties?**

---

Contact our tech support line at:  
**Techsupport@metra-autosound.com**

Or via phone at:  
**368.257.1187**

#### **TECH SUPPORT HOURS (EST)**

---

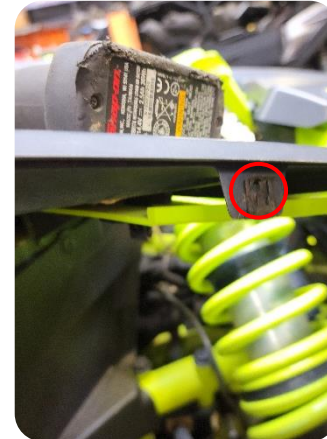
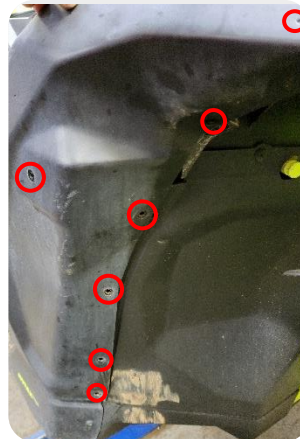
Monday-Friday: 9:00AM - 7:00PM  
Saturday: 10:00AM - 7:00PM  
Sunday: 10:00AM - 4:00PM

Closed for most US Federal Holidays

1. The drivers and passengers panels will need to be removed, it is suggested to start with taking off the passengers gas cap cover.



2. Using a T30 Torx bit remove a total of eleven (11) bolts from each fender. Three (3) additional T30 on the passenger side and two (2) on the driver side will need removed using a 10mm socket. Remove metal panel clip that secures the fender to the top panel.



3. On the passenger side of the vehicle, make sure the three (3) T30 Torx bolt are removed from the dash speaker cover.



4. Using a flat blade screw driver loosen and the hose clamp and remove the outside panel.

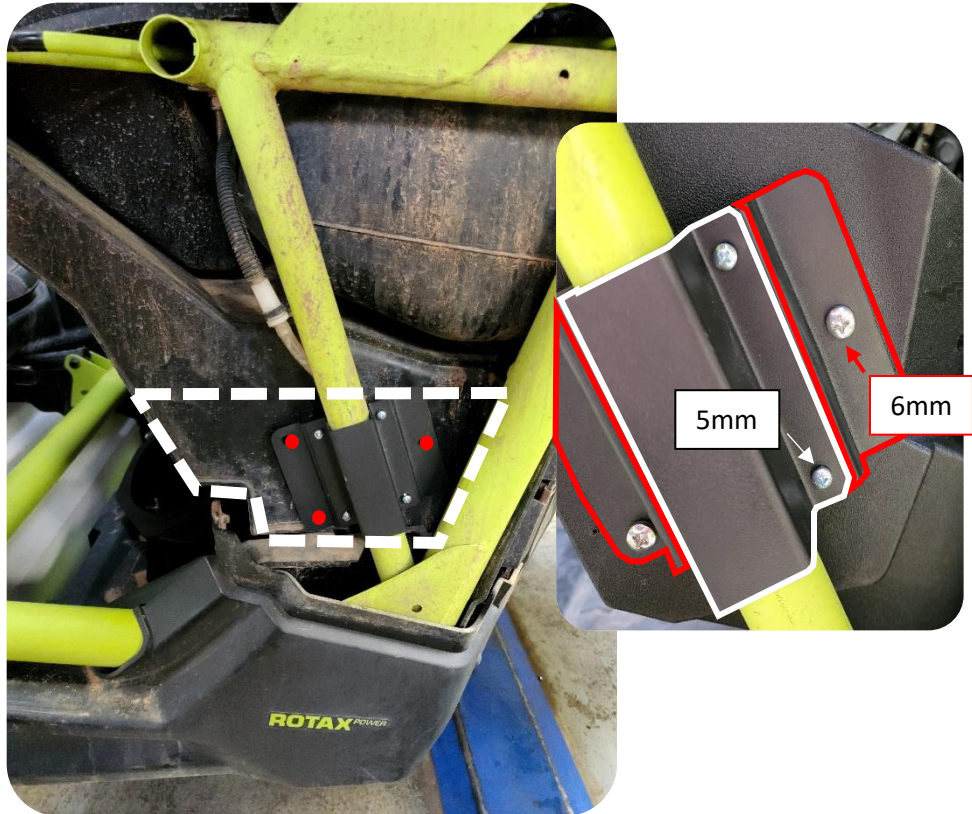
**Note:** *We recommend that the fuel inlet is protected with the gas cap from the fender or a rag.*



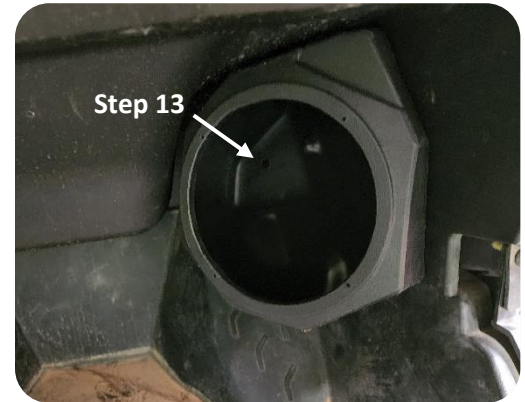
5. With both outside fender panels removed and set aside.
6. Use the supplied driver and passenger side templates, cut each template on the cutline. Each template is designed to fit the shape of the inner plastic.

**Note:** *Templates mount on the outside of the interior kick panel.*

7. Make sure the template lines up with the plastic panel, using a punch tool mark the center of each mounting hole.
8. Using a 1/4" drill bit. Drill from the outside of the panel to the inside of the kick panel. A 3/8" hole can be drilled for the speaker wire.



9. Place the larger bracket between the plastic and the tube frame, make sure to line up your pre-drilled mounting holes.
10. Line up the speaker pod mounts to the pre-drilled holes and the larger bracket. Using the supplied 6mm bolts lightly tighten each bolt.
11. Place the smaller bracket over the cage tube, line up the mounting holes to the larger bracket. Using the supplied 5mm bolts lightly tighten each bolt.
12. With everything lined up tighten both the 6mm and 5mm bolts securely.
13. Route your speaker wire into the pod and install your speaker of choice.
14. Reassemble the panels in reverse.



**NOTE:** Speaker pod may not accommodate all speakers, specifically those with larger magnets.



Material Thickness: 5/16"





*Thank you* for purchasing your lighting from Metra Electronics! We're excited to see your installs, scan the QR to share on our Instagram. If you have any questions, comments, feedback on the product, please contact our Tech Support email via [techsupport@metra-autosound.com](mailto:techsupport@metra-autosound.com).

Don't forget to Visit [metraonline.com](http://metraonline.com) to view the available installation parts and Jeep accessories.

