

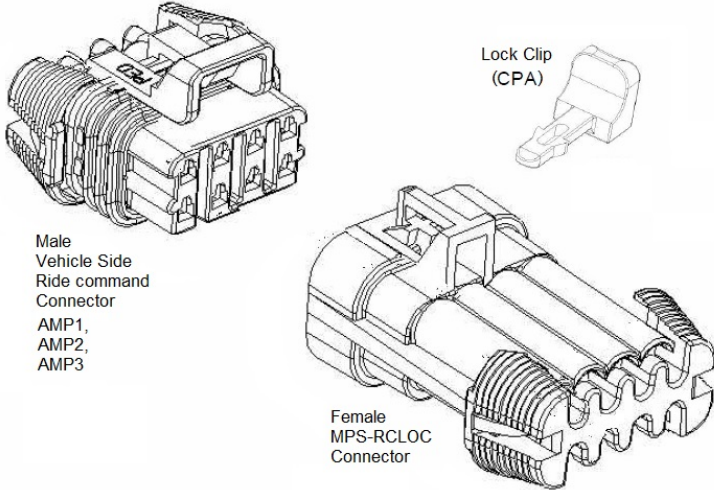


Fits Polaris **RIDECMD** **MPS-RCLOC**

Visit MetraPowerSports.com for more detailed information about the product and up-to-date vehicle specific applications

ASSEMBLY INSTRUCTIONS

MPS-RCLOC to Ridecommand Connector

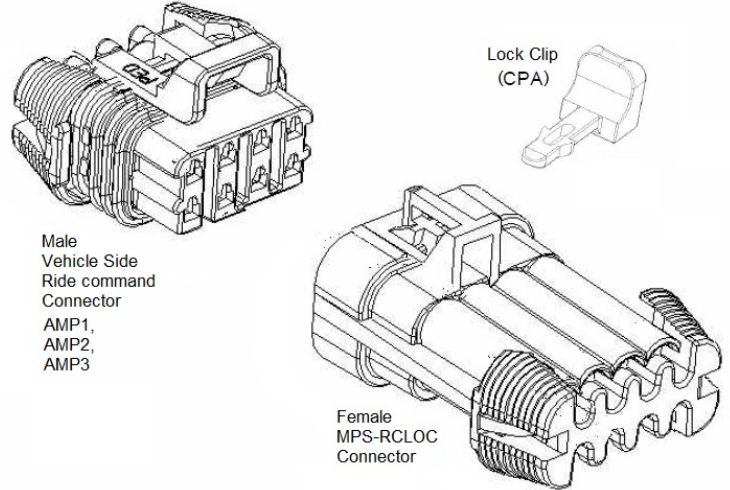


Fits Polaris **RIDECMD** **MPS-RCLOC**

Visit MetraPowerSports.com for more detailed information about the product and up-to-date vehicle specific applications

ASSEMBLY INSTRUCTIONS

MPS-RCLOC to Ridecommand Connector

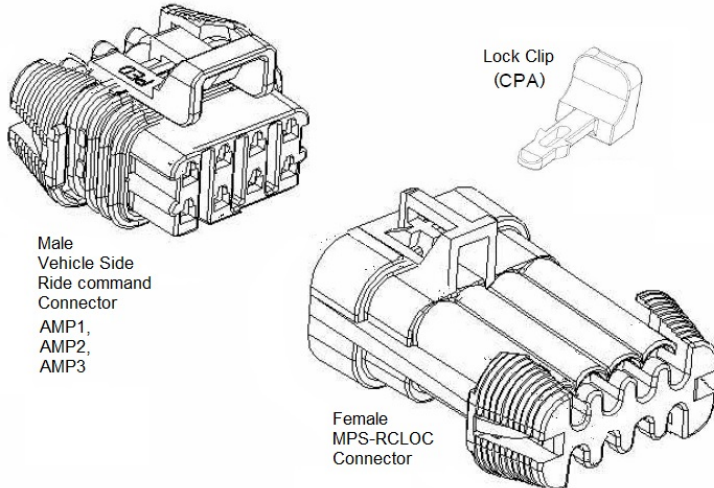


Fits Polaris **RIDECMD** **MPS-RCLOC**

Visit MetraPowerSports.com for more detailed information about the product and up-to-date vehicle specific applications

ASSEMBLY INSTRUCTIONS

MPS-RCLOC to Ridecommand Connector

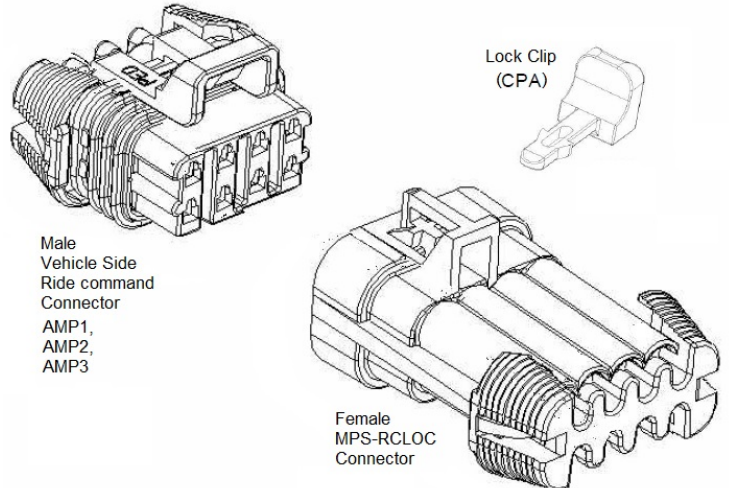


Fits Polaris **RIDECMD** **MPS-RCLOC**

Visit MetraPowerSports.com for more detailed information about the product and up-to-date vehicle specific applications

ASSEMBLY INSTRUCTIONS

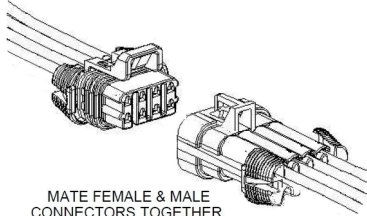
MPS-RCLOC to Ridecommand Connector



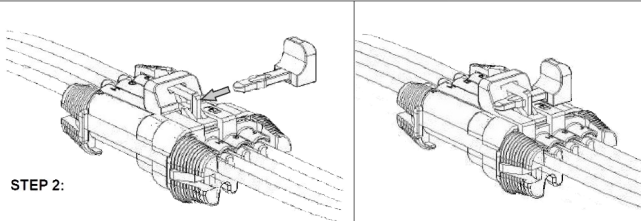
Fits Polaris **RIDECOMMAND** MPS-RCLOC

Visit MetraPowerSports.com for more detailed information about the product and up-to-date vehicle specific applications

ASSEMBLY INSTRUCTIONS MPS-RCLOC to Ridecommand Connector



STEP 1:
MATE FEMALE & MALE
CONNECTORS TOGETHER.



STEP 2:

A. Hold the mated connectors. Hold the locking clip (CPA) with the end extending toward the connector.

B. Slide the extension into the slot applying pressure with your fingers until the locking clip snaps into place.

COMPLETED



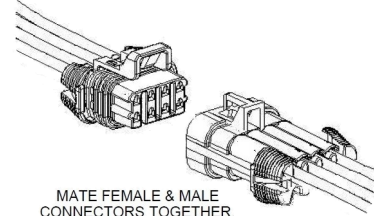
• MetraPowerSports.com

© COPYRIGHT 2019 METRA ELECTRONICS CORPORATION REV. 02/01/19

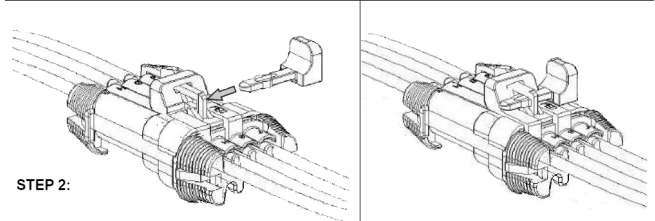
Fits Polaris **RIDECOMMAND** MPS-RCLOC

Visit MetraPowerSports.com for more detailed information about the product and up-to-date vehicle specific applications

ASSEMBLY INSTRUCTIONS MPS-RCLOC to Ridecommand Connector



STEP 1:
MATE FEMALE & MALE
CONNECTORS TOGETHER.



STEP 2:

A. Hold the mated connectors. Hold the locking clip (CPA) with the end extending toward the connector.

B. Slide the extension into the slot applying pressure with your fingers until the locking clip snaps into place.

COMPLETED



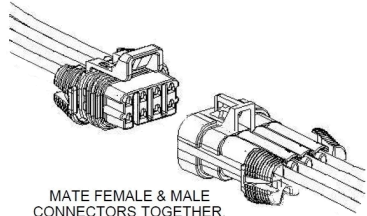
• MetraPowerSports.com

© COPYRIGHT 2019 METRA ELECTRONICS CORPORATION REV. 02/01/19

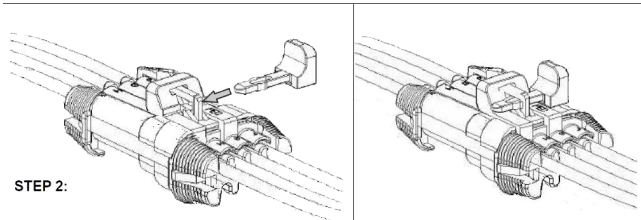
Fits Polaris **RIDECOMMAND** MPS-RCLOC

Visit MetraPowerSports.com for more detailed information about the product and up-to-date vehicle specific applications

ASSEMBLY INSTRUCTIONS MPS-RCLOC to Ridecommand Connector



STEP 1:
MATE FEMALE & MALE
CONNECTORS TOGETHER.



STEP 2:

A. Hold the mated connectors. Hold the locking clip (CPA) with the end extending toward the connector.

B. Slide the extension into the slot applying pressure with your fingers until the locking clip snaps into place.

COMPLETED



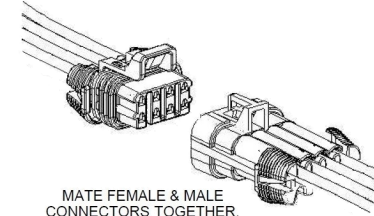
• MetraPowerSports.com

© COPYRIGHT 2019 METRA ELECTRONICS CORPORATION REV. 02/01/19

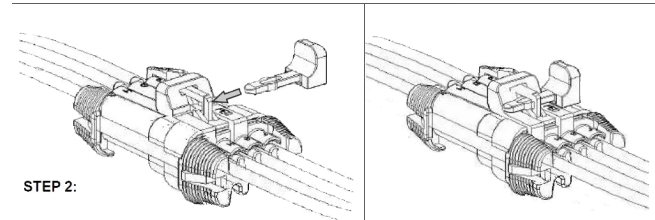
Fits Polaris **RIDECOMMAND** MPS-RCLOC

Visit MetraPowerSports.com for more detailed information about the product and up-to-date vehicle specific applications

ASSEMBLY INSTRUCTIONS MPS-RCLOC to Ridecommand Connector



STEP 1:
MATE FEMALE & MALE
CONNECTORS TOGETHER.



STEP 2:

A. Hold the mated connectors. Hold the locking clip (CPA) with the end extending toward the connector.

B. Slide the extension into the slot applying pressure with your fingers until the locking clip snaps into place.

COMPLETED



• MetraPowerSports.com

© COPYRIGHT 2019 METRA ELECTRONICS CORPORATION REV. 02/01/19